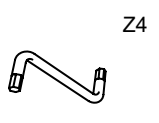
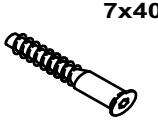
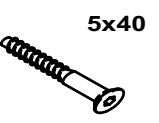
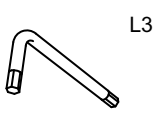
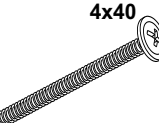
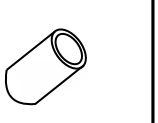
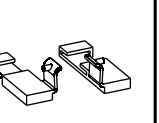
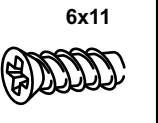
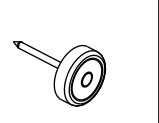
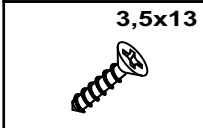
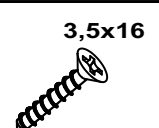
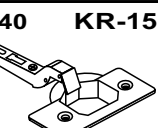
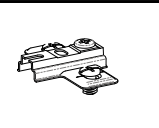
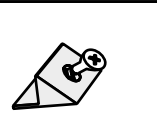
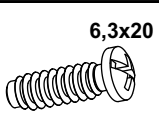
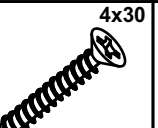
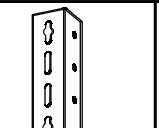
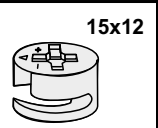
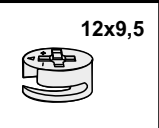
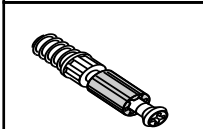
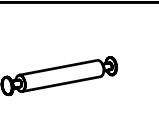
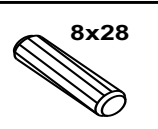
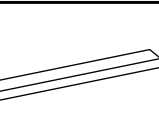
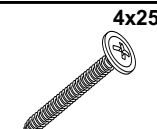
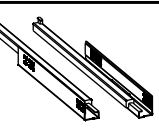
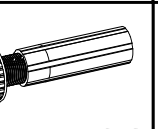
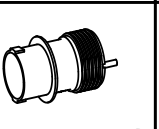
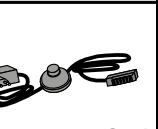
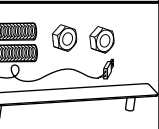

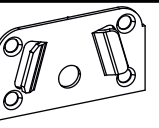
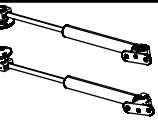

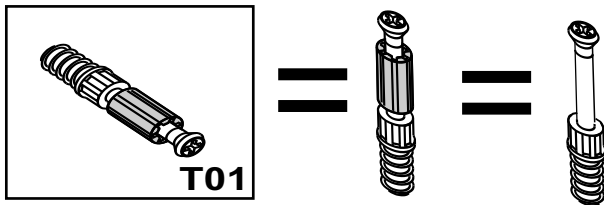
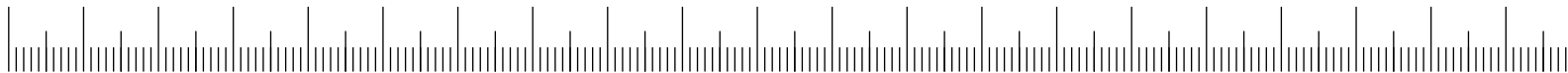
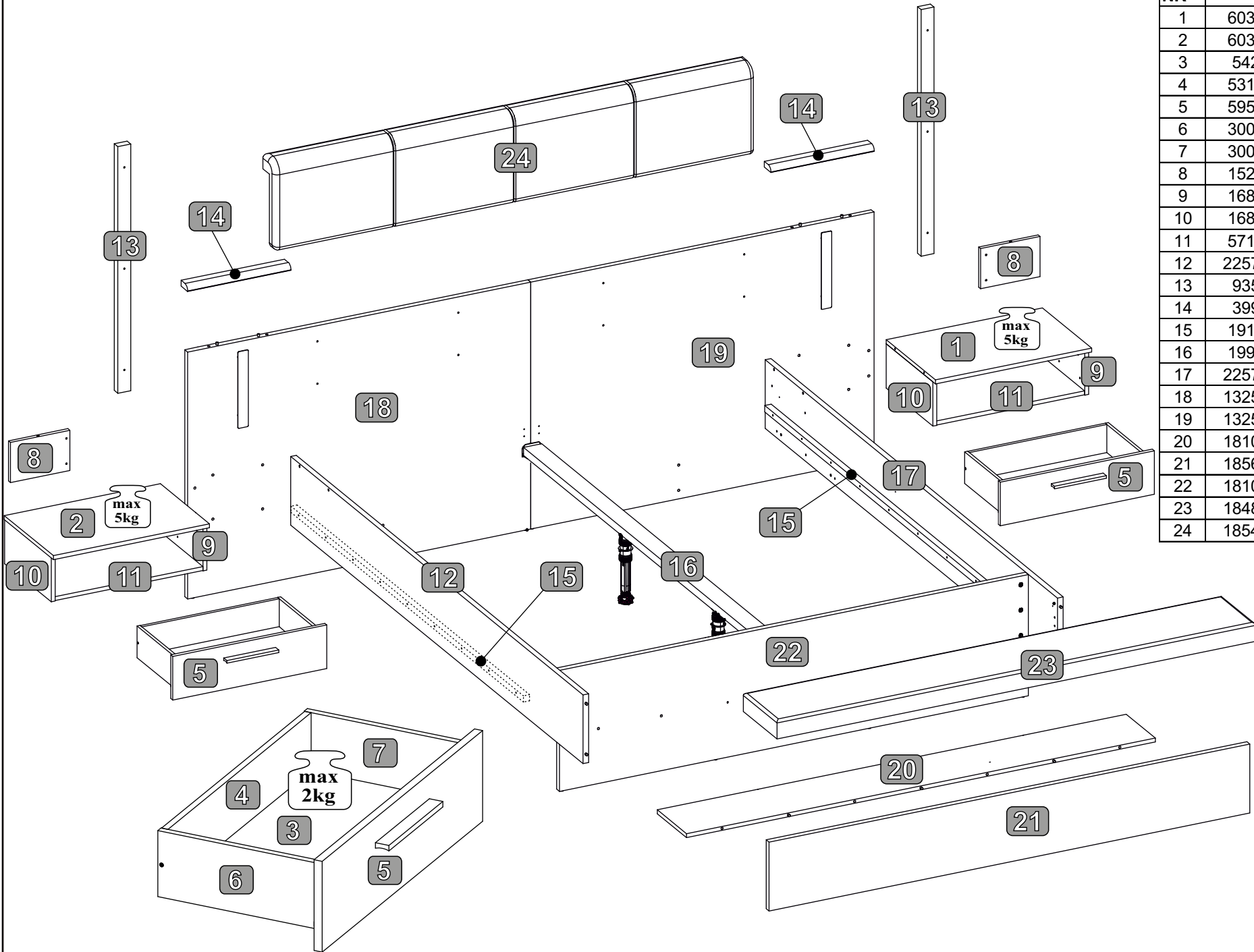
 7x70 18x W70	 Z4 2x K01	 7x40 4x W40	 5x40 4x W16	 L3 1x K02	 4x40 40x W28	 G10 8x	 B12 2x _{L+R}	 6x11 8x W12	 S01 8x		
 3,5x13 8x W02	 3,5x16 18x W30	 Φ40 KR-15 3x Z08	 Z10 3x	 R01 8x	 6,3x20 16x W29	 4x30 4x W23	 L03 2x	 15x12 46x T02	 12x9,5 4x T12		
 T01 42x	 T03 4x	 8x28 58x D01	 U50 2x	 4x25 4x W05	 P05 2x	 NOG 2x	 REG 4x	 O51 1x	 O53 2x		
 L08 2x	 L08 2x	 SG1 1x	 SG1 10x								



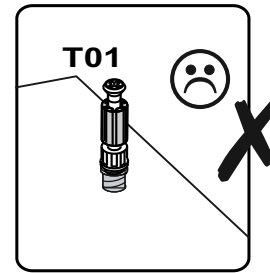
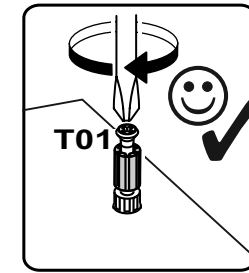
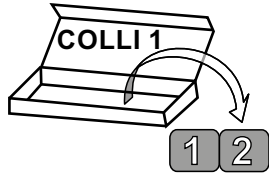
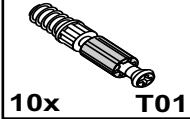
0 10 20 30 40 50 60 70 80 90 100 110 120 130 140 150 160 170 180 190 200





NR	DIM	QTE	COLLI
1	603x380x15	1	1/6
2	603x380x15	1	1/6
3	542x300x2	2	1/6
4	531x120x12	2	1/6
5	595x165x15	2	1/6
6	300x120x12	2	1/6
7	300x120x12	2	1/6
8	152x229x15	2	1/6
9	168x360x15	2	1/6
10	168x360x15	2	1/6
11	571x359x15	2	1/6
12	2257x260x22	1	2/6
13	935x50x28	2	2/6
14	399x51x22	2	2/6
15	1916x25x25	2	2/6
16	1995x65x28	1	2/6
17	2257x260x22	1	2/6
18	1325x935x22	1	3/6
19	1325x939x22	1	3/6
20	1810x225x15	1	5/6
21	1856x261x22	1	5/6
22	1810x459x22	1	5/6
23	1848x260x70	1	6/6
24	1854x340x90	1	6/6

1



7,5mm



9,5mm

L

2

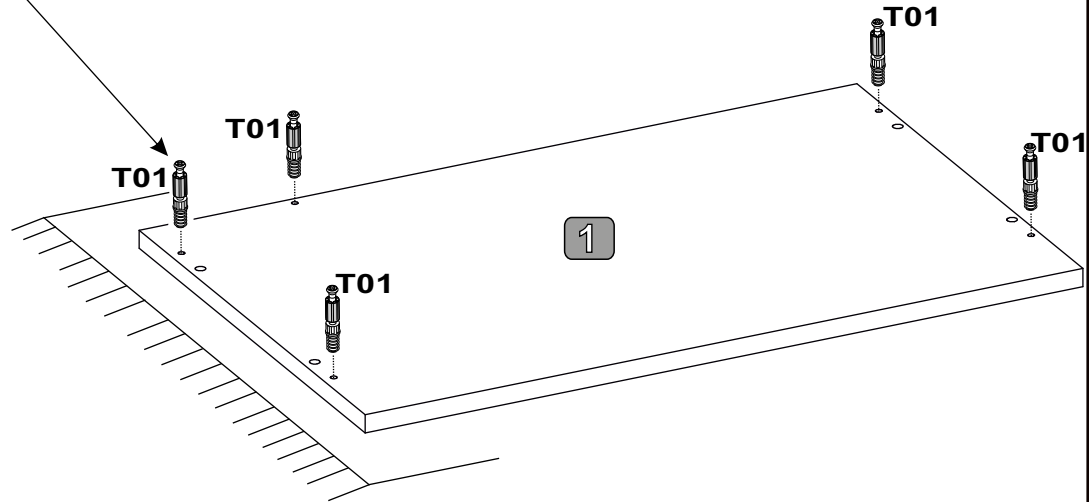
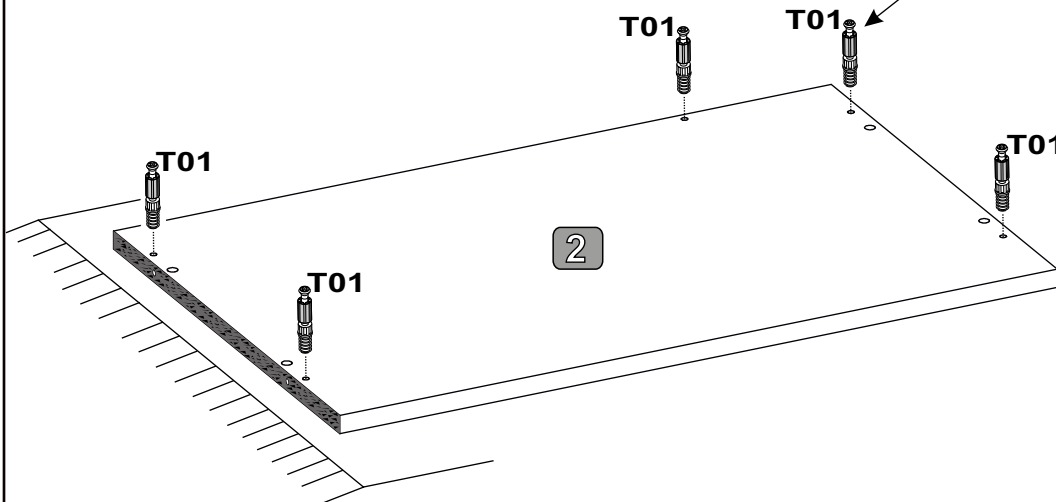
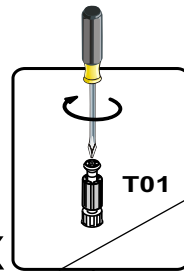
9,5mm

7,5mm

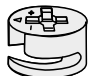

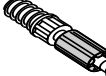
R

1

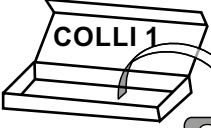
10x



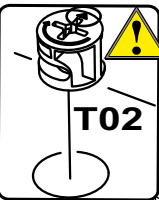
2

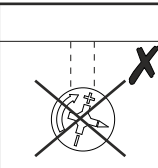
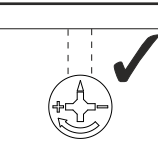
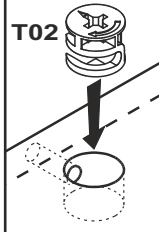
15x12  12x T02	8x28  8x D01	 2x T01
---	---	---

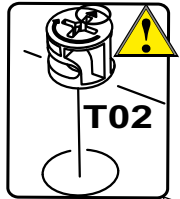
COLLI 1

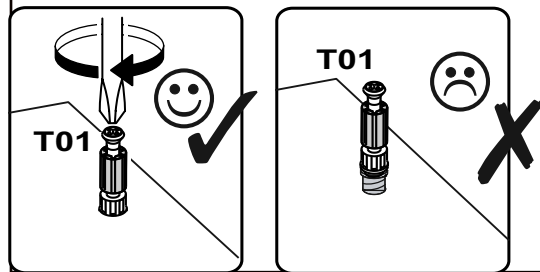
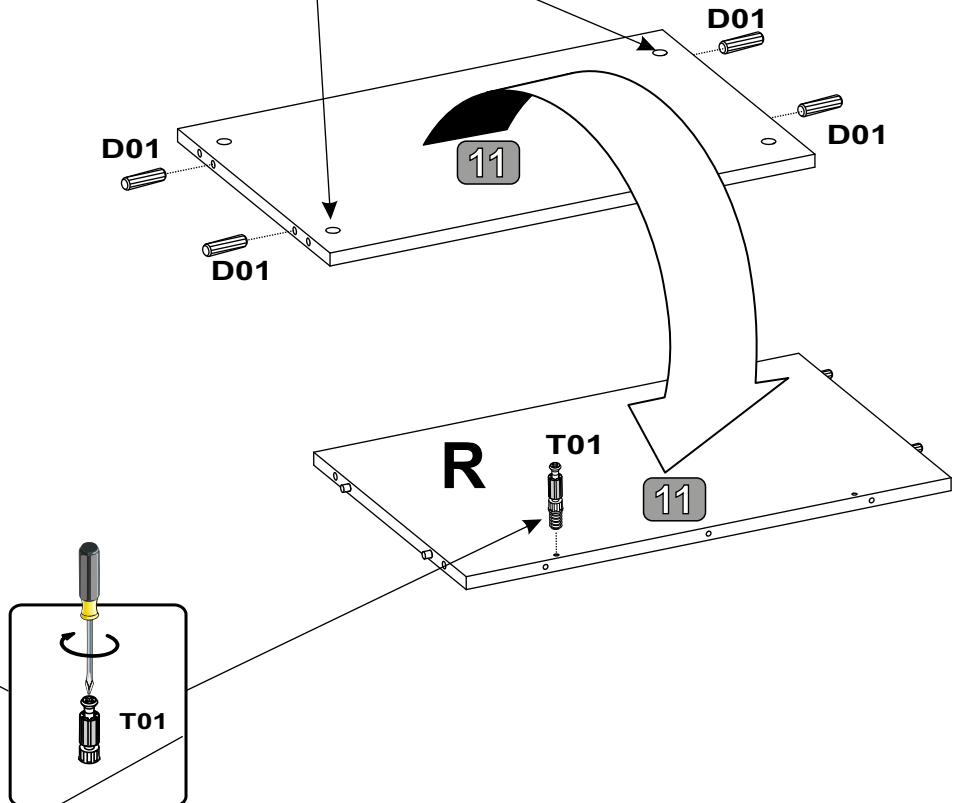
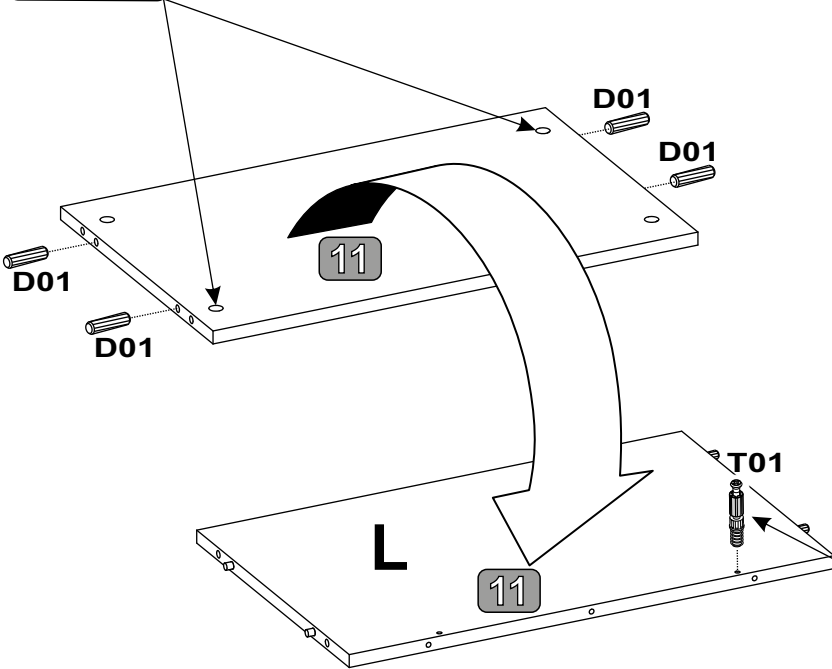


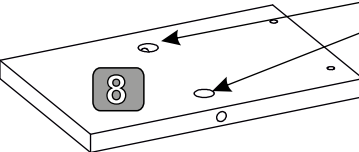
8 11

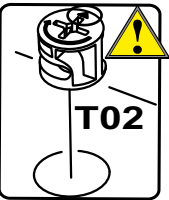
4x  T02



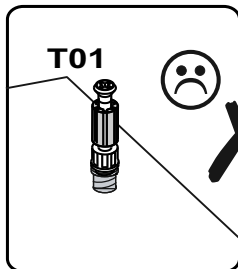
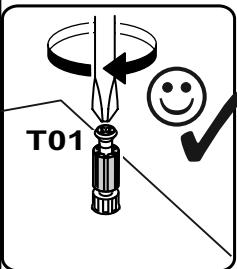
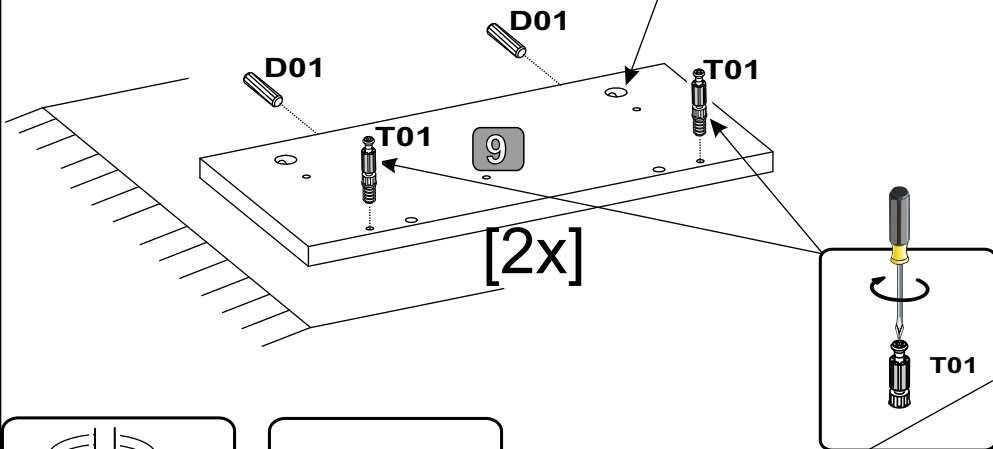
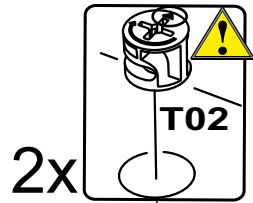
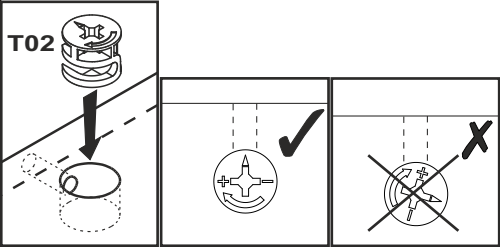
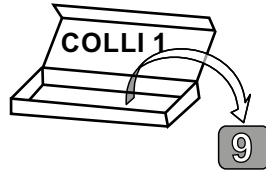
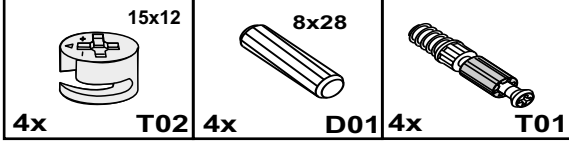
4x  T02



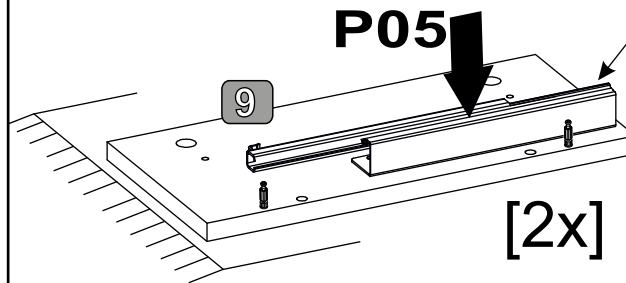
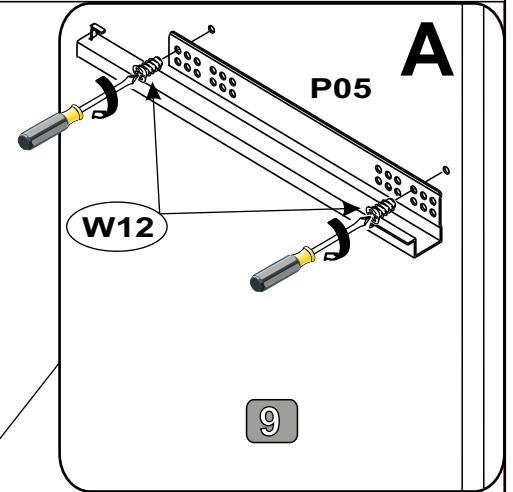
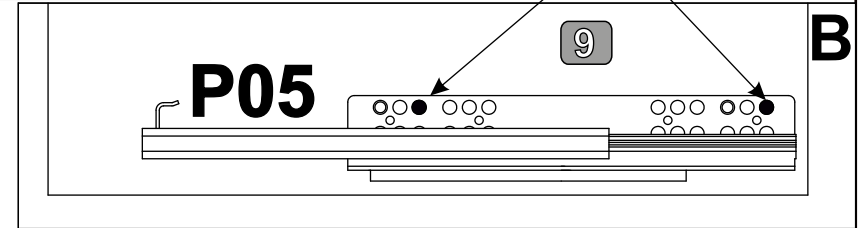
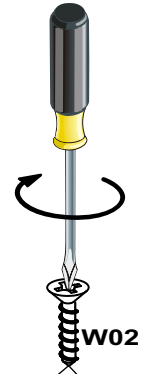
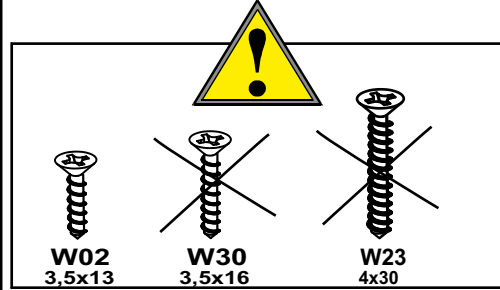
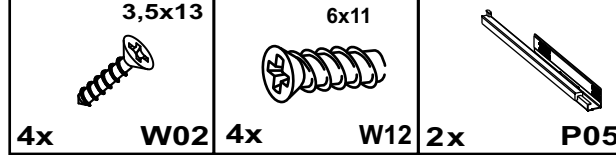
[2x]  8



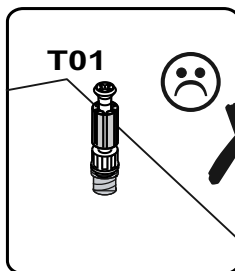
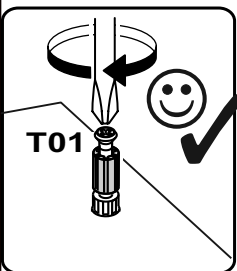
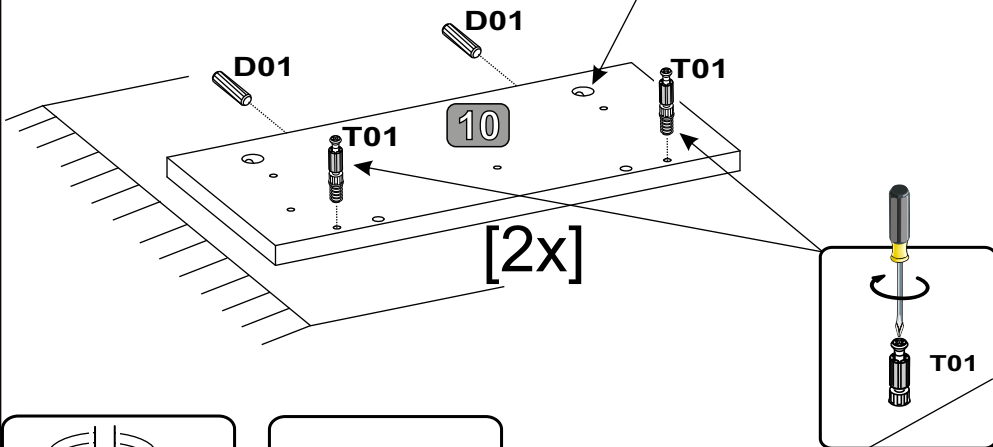
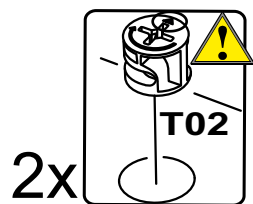
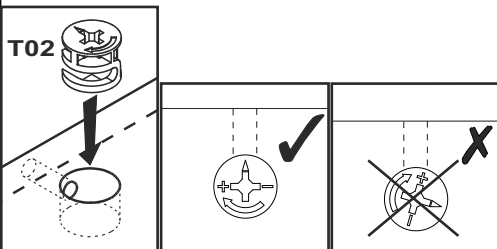
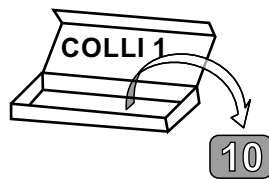
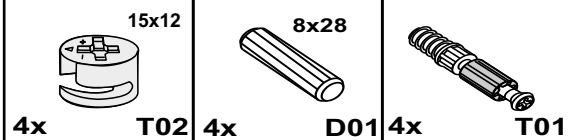
3



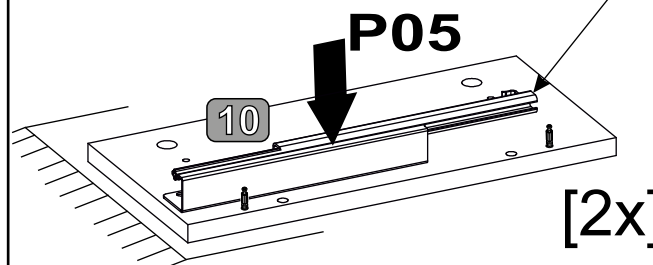
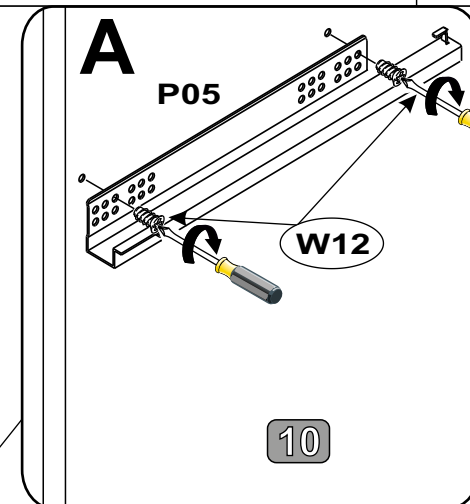
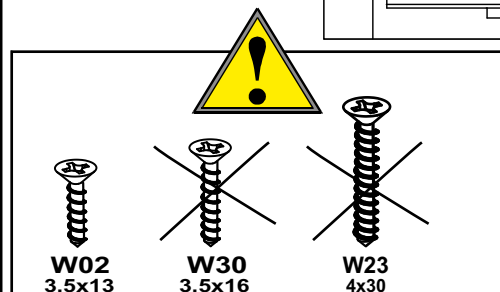
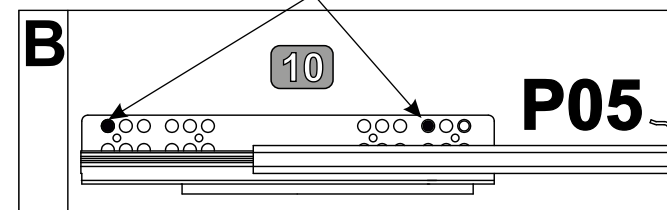
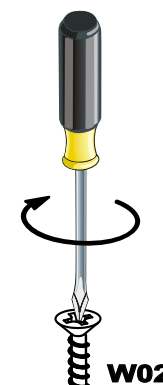
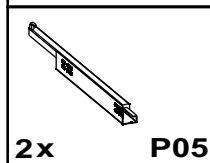
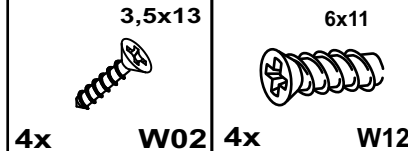
4



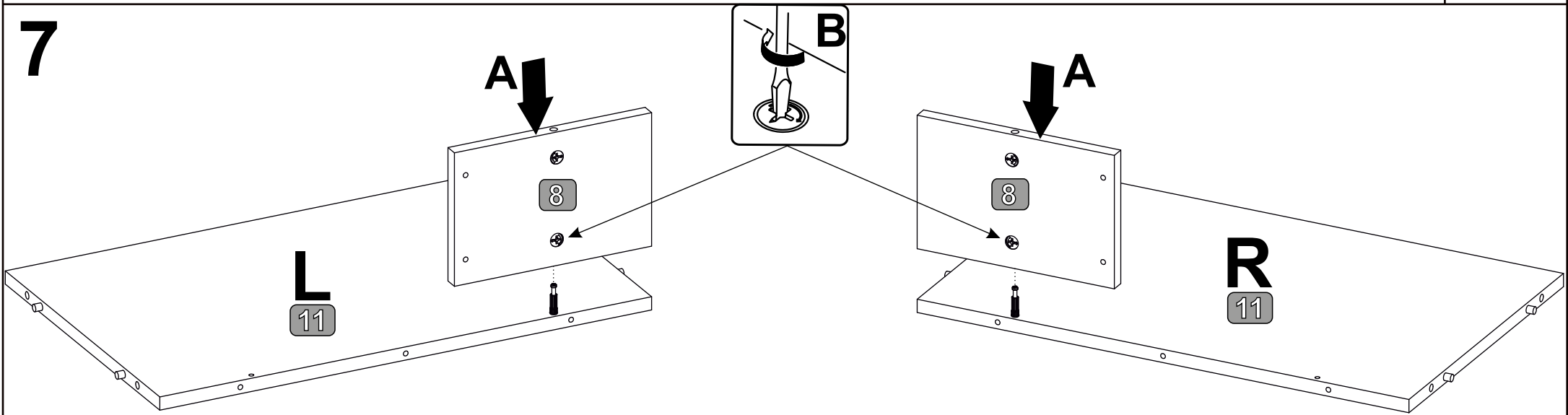
5



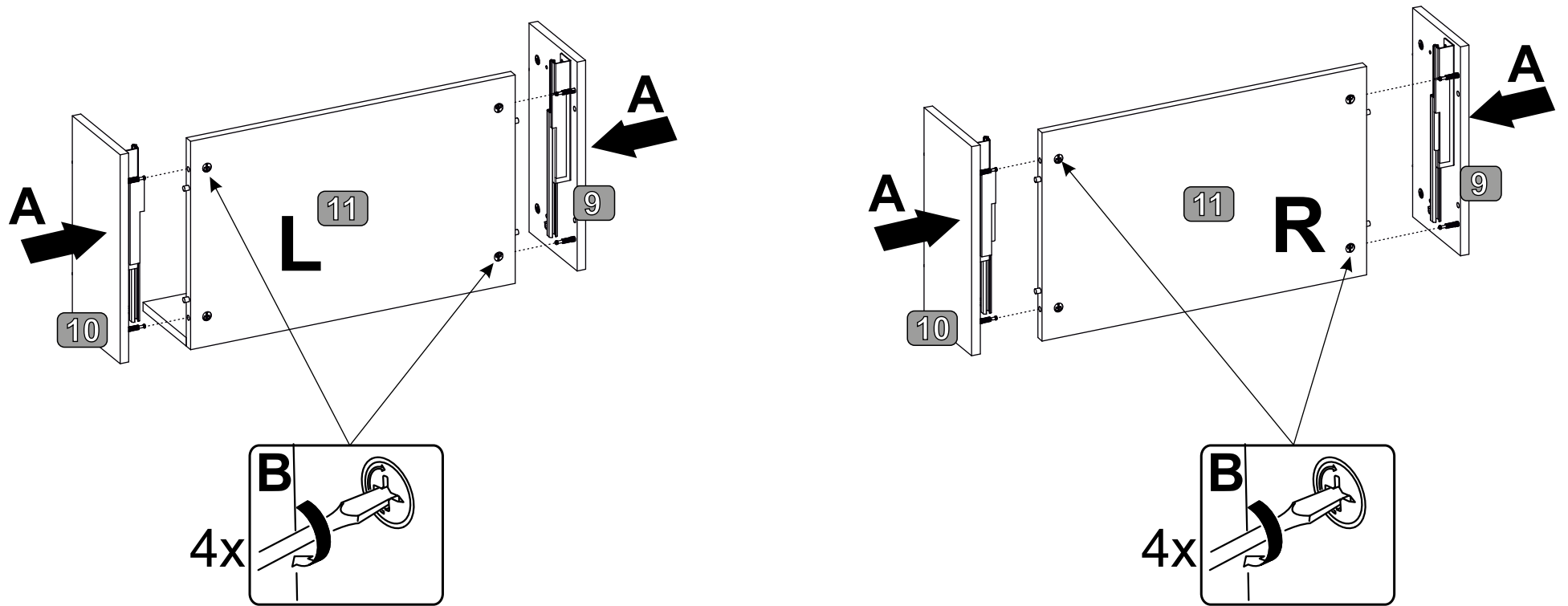
6



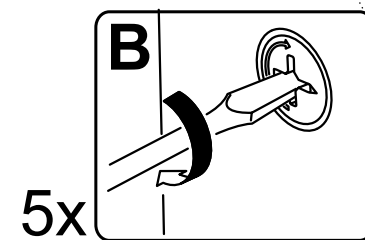
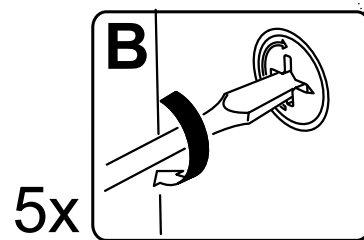
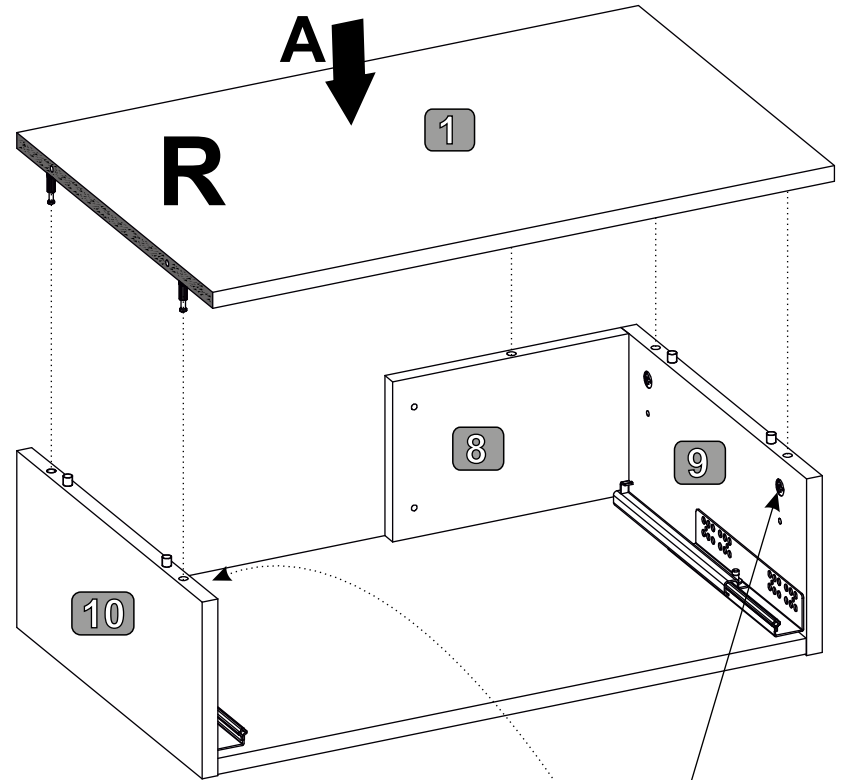
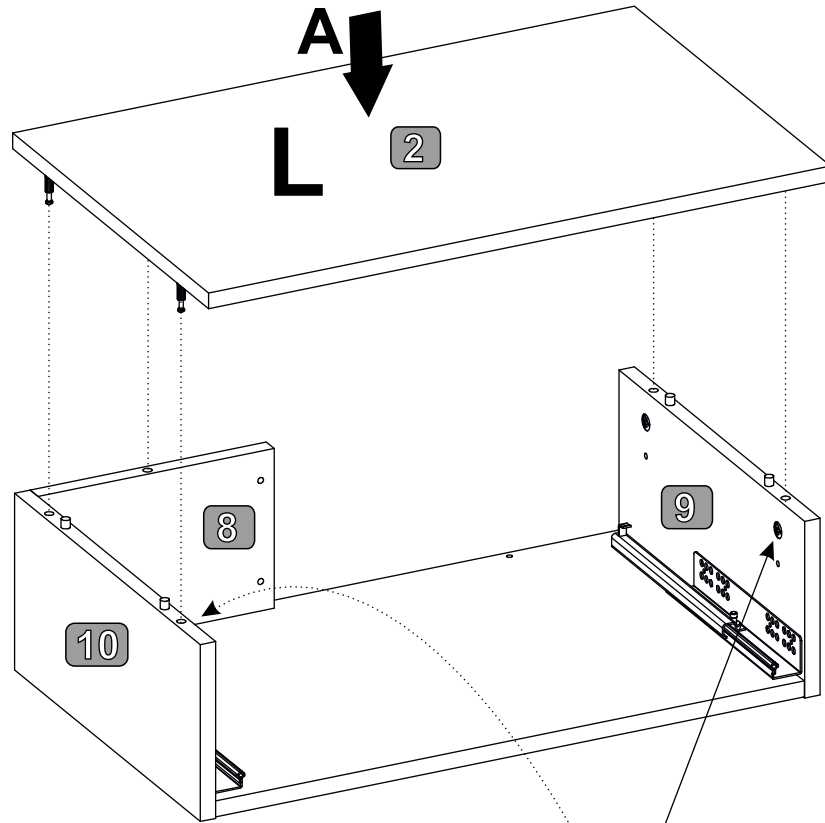
7



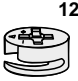
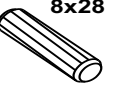
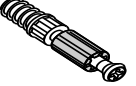
8



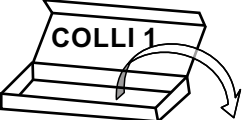
9



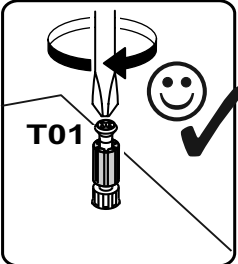
10

 12x9,5 4x T12	 8x28 16x D01	 4x T01
---	--	---

COLLI 1

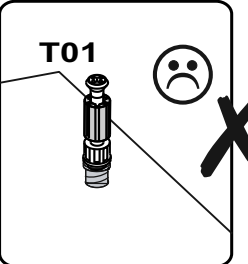


4 5 6 7



T01

✓

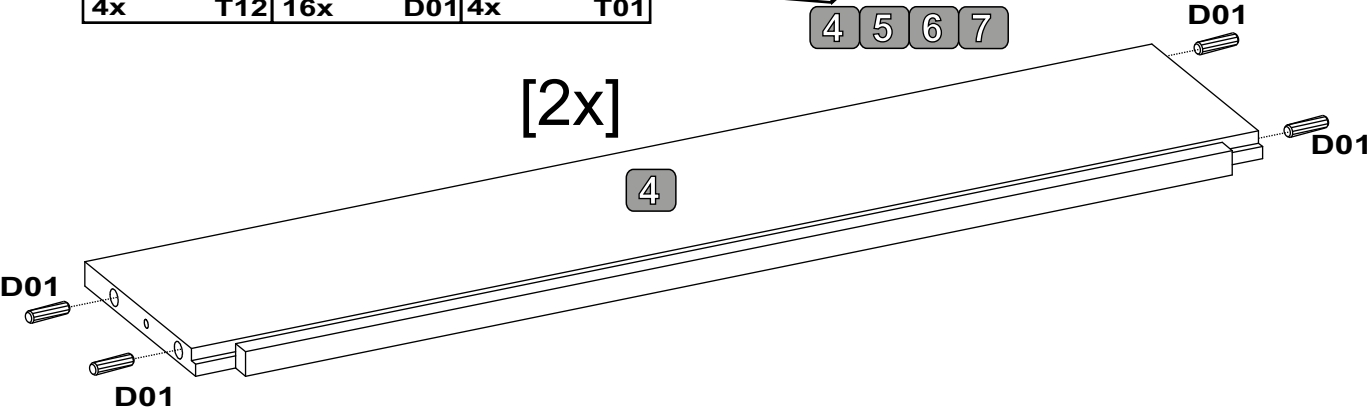


T01

✗

[2x]

4

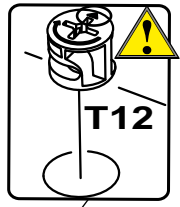


D01

D01

D01

D01

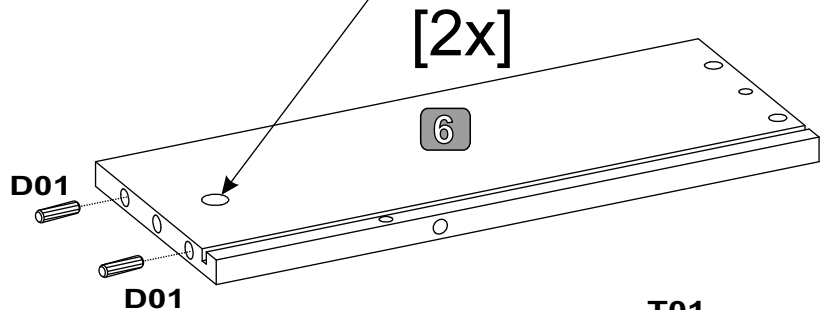


T12

!

[2x]

6

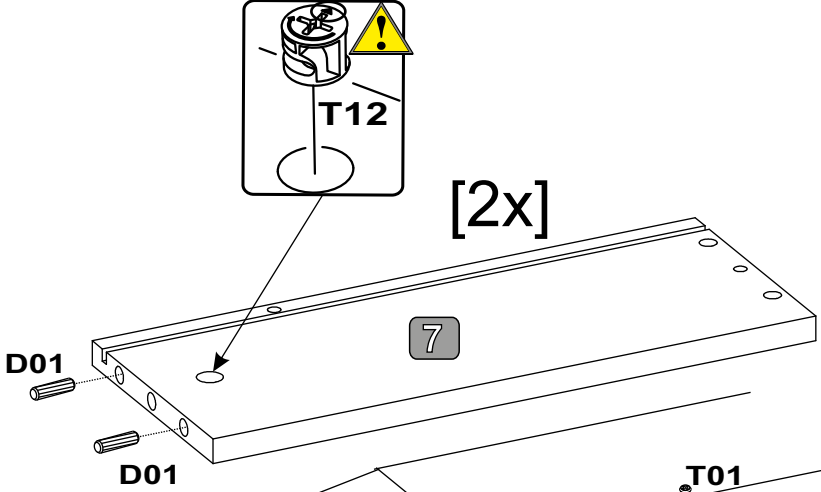


D01

D01

[2x]

7

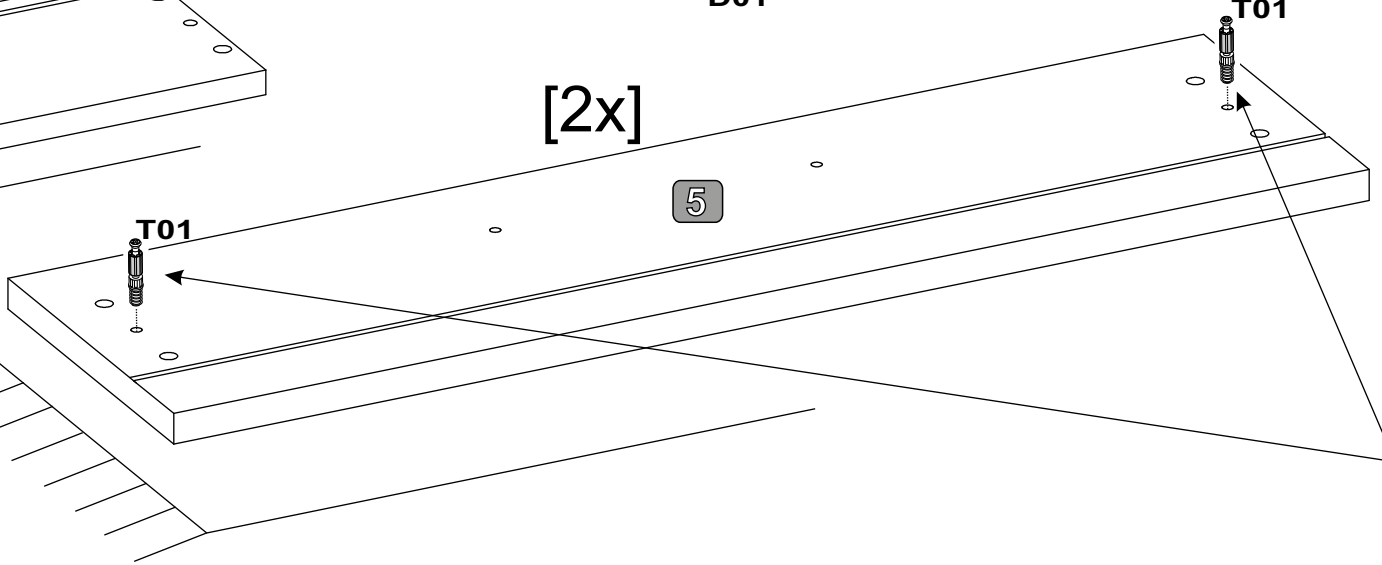


D01

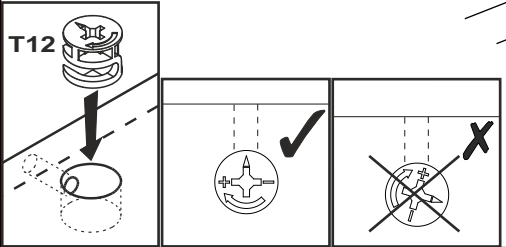
D01

[2x]

5



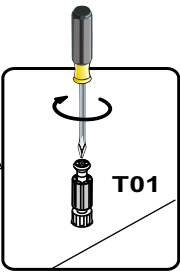
T01



T12




✓

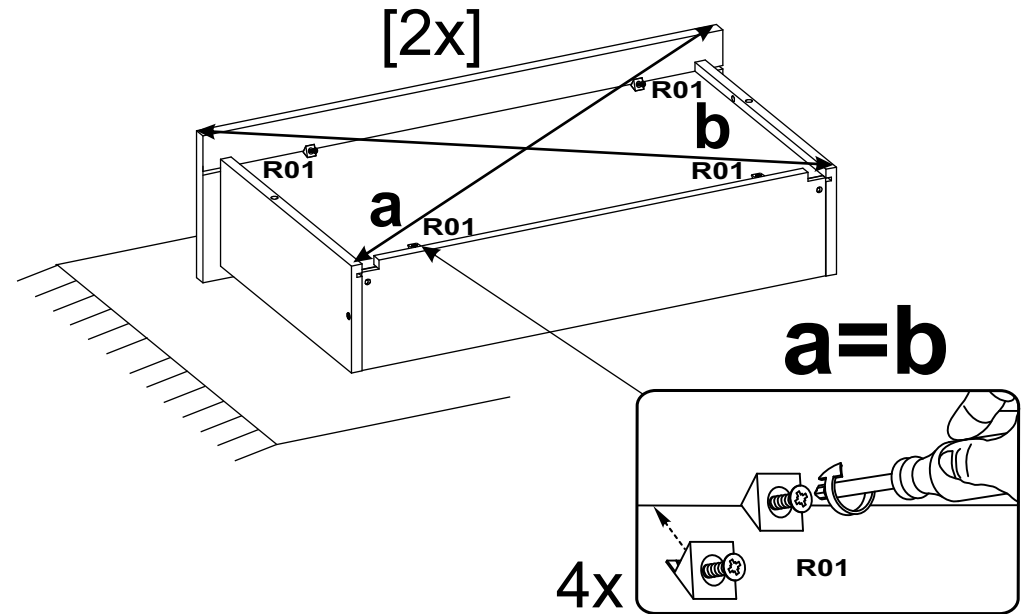
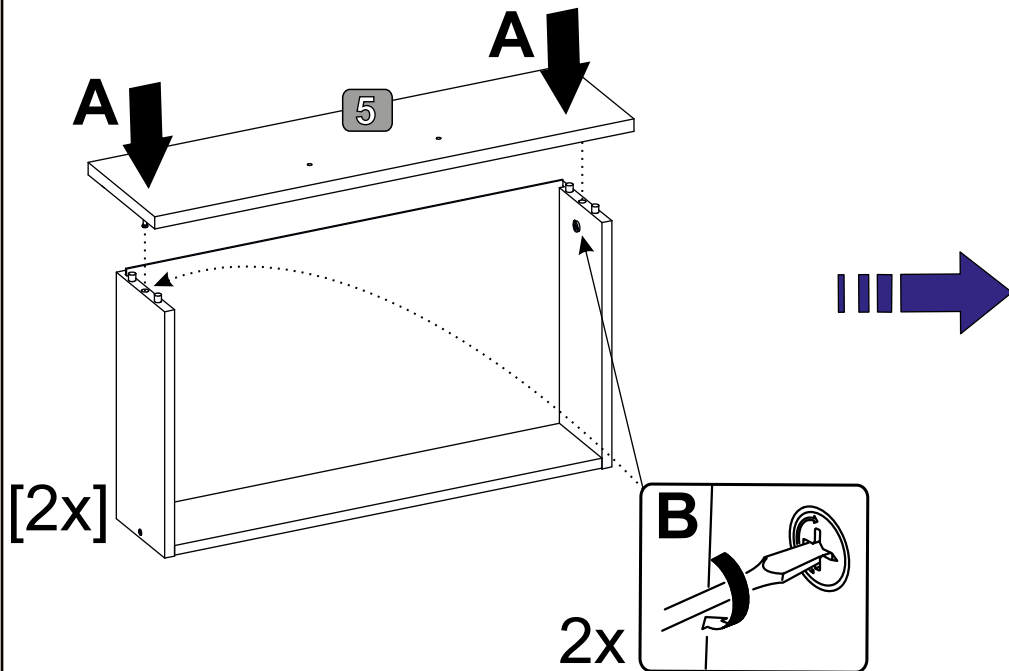
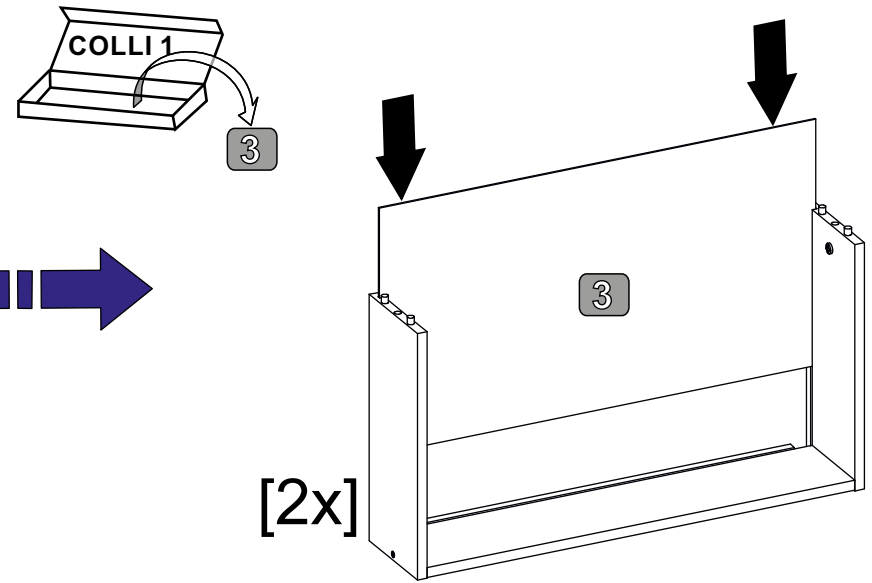
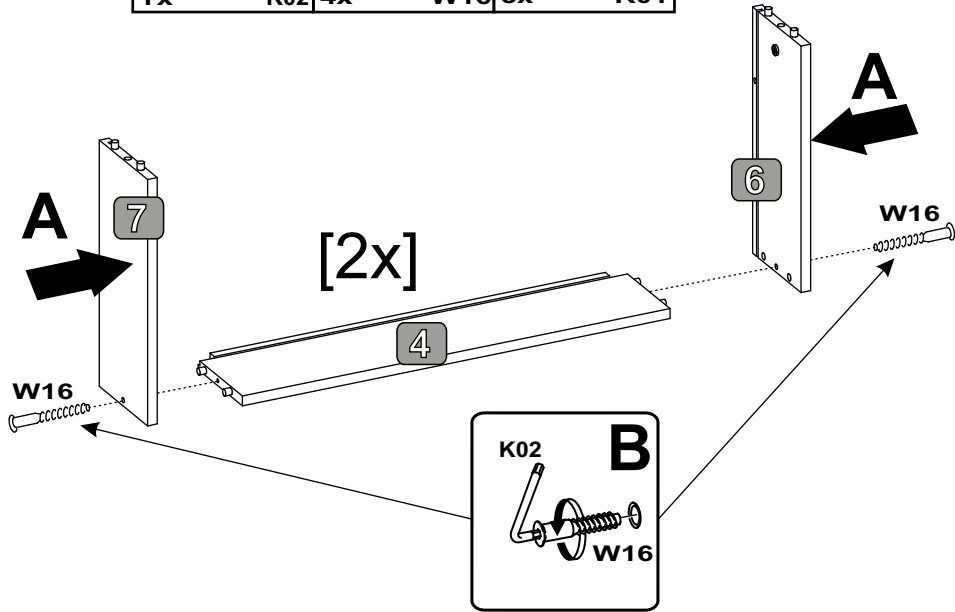
✗



T01

11

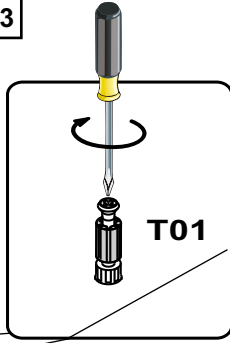
 L3 1x	 5x40 4x	 R01 8x
K02	W16	R01



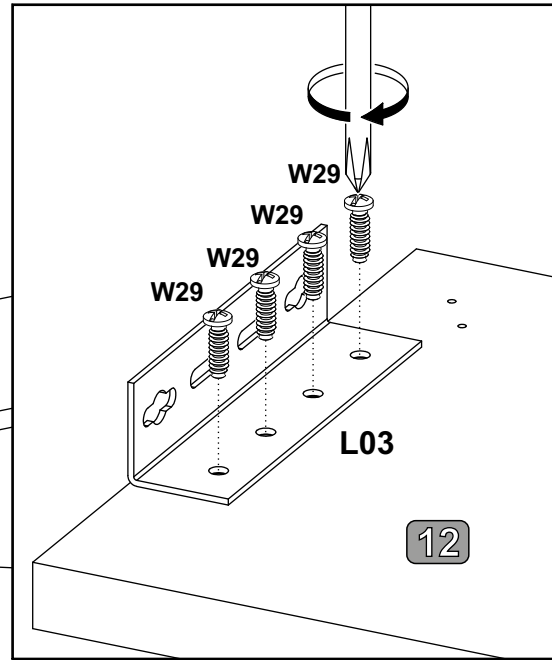
12

8x28 8x D01	6,3x20 8x W29	 2x L03
 6x T01		

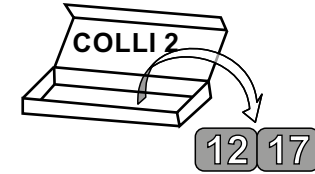
3x



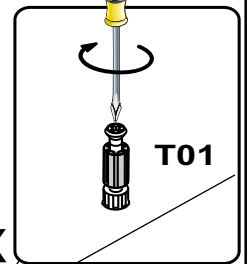
12



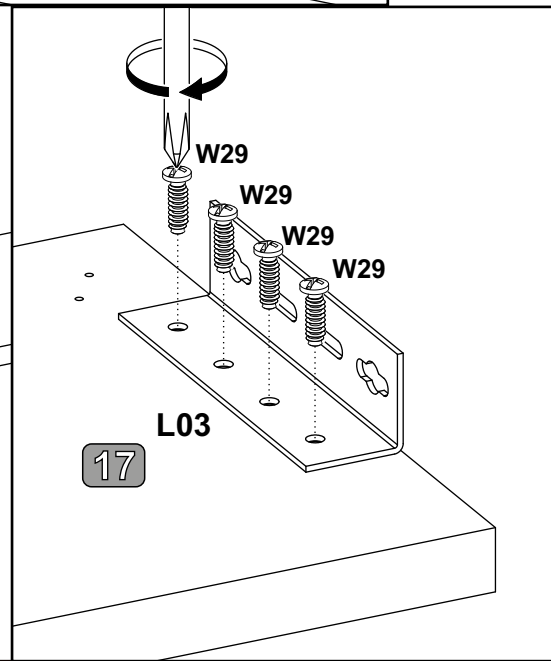
12



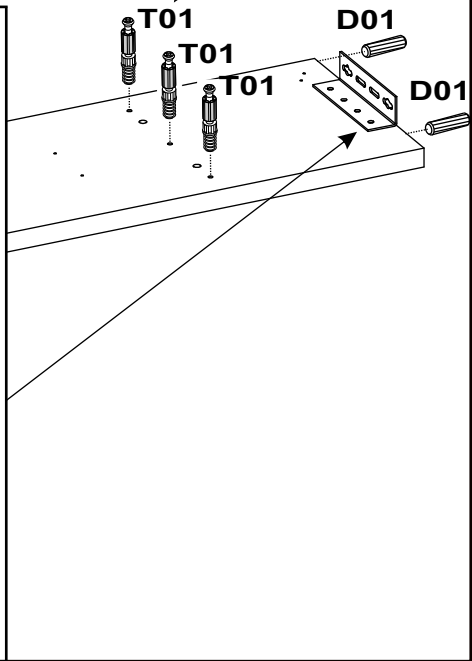
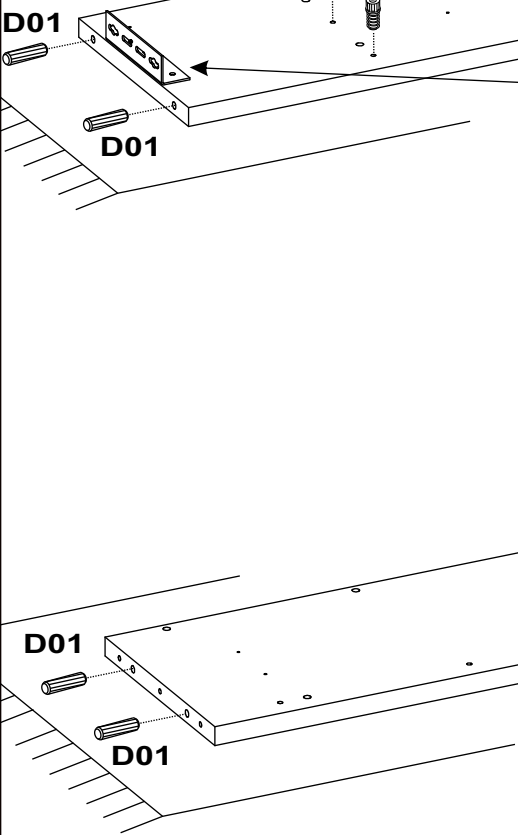
3x



17

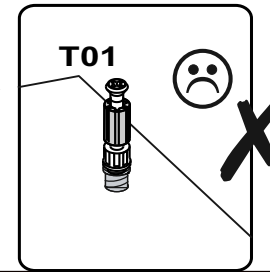
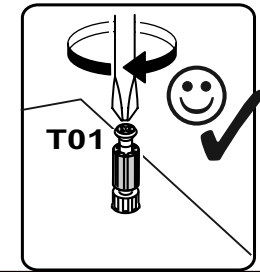
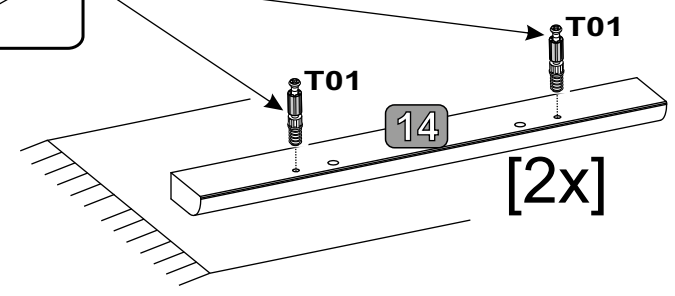
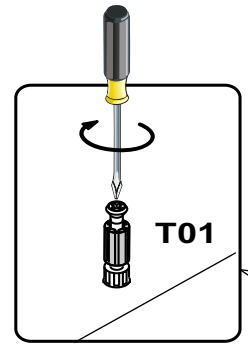
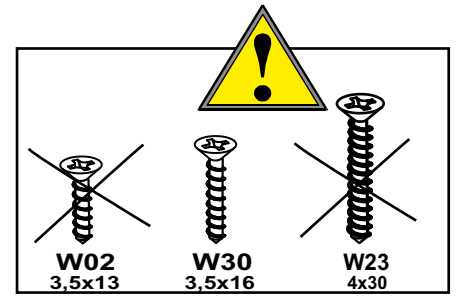
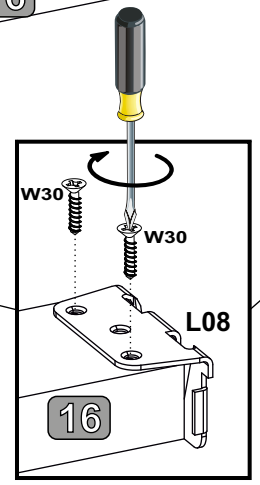
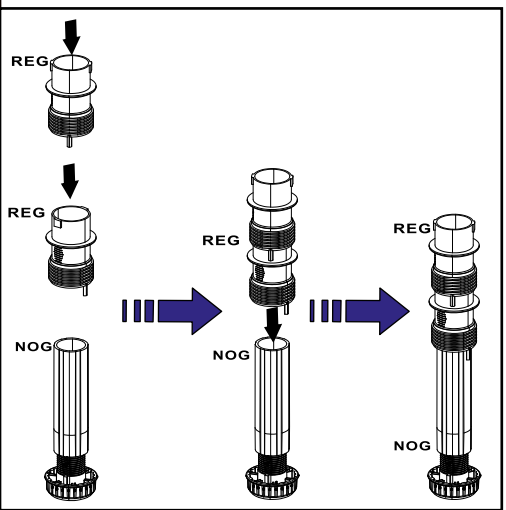
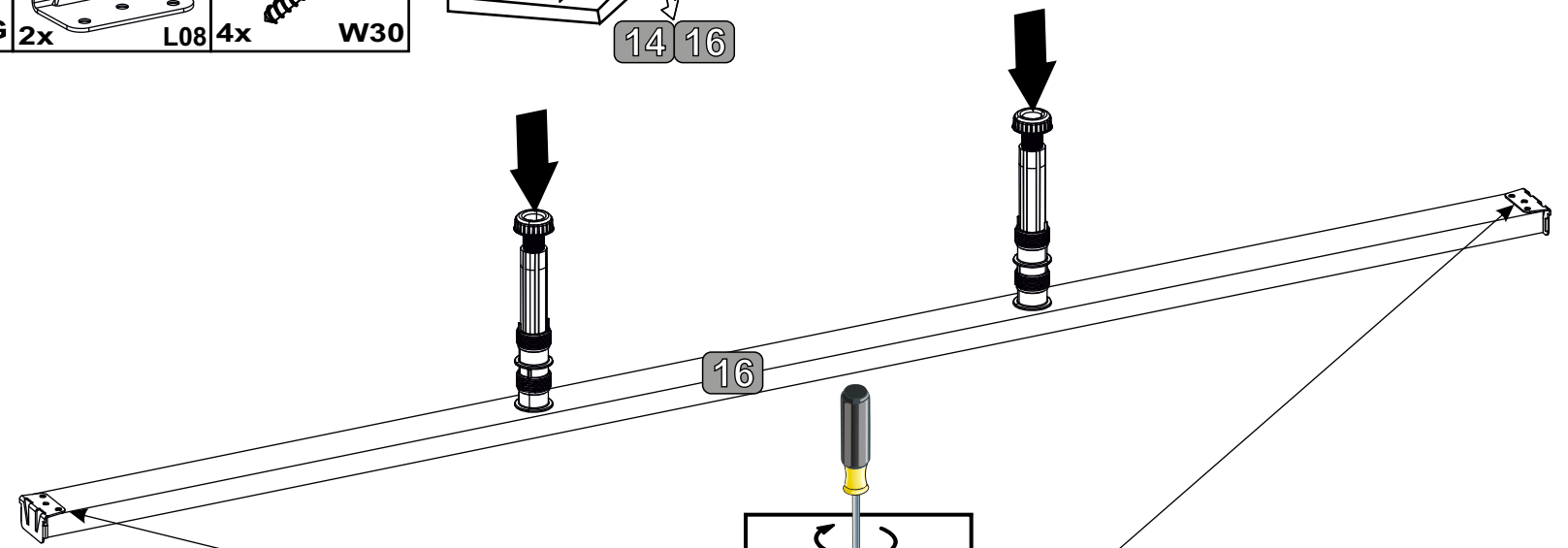
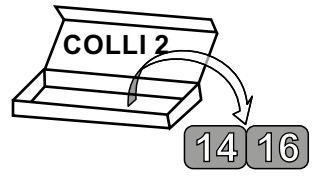


17

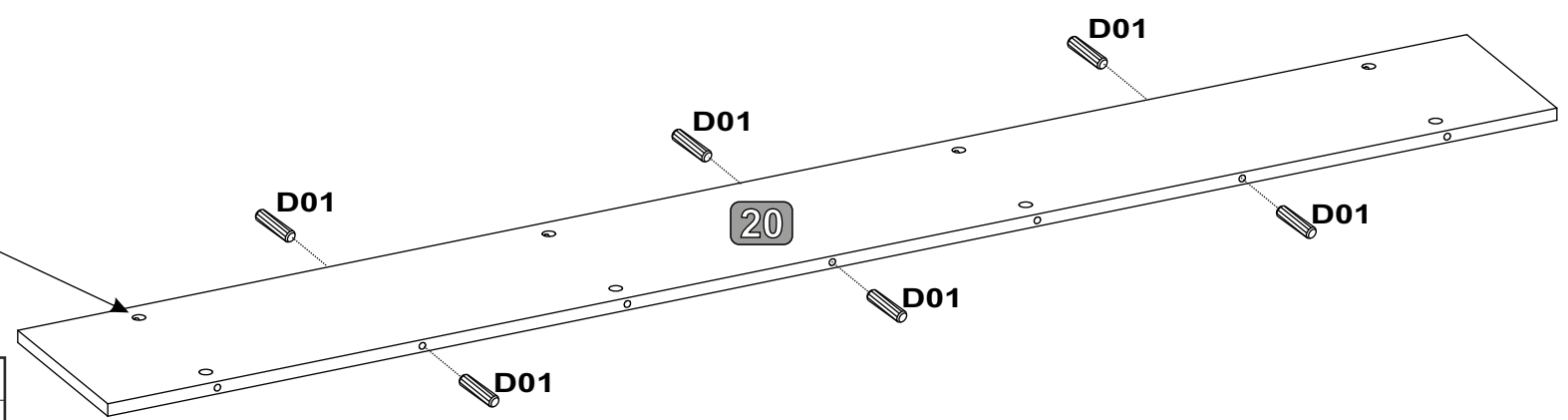
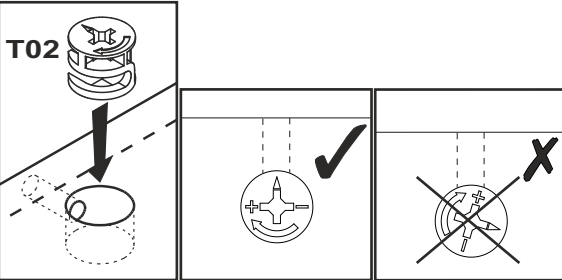
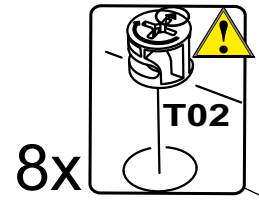
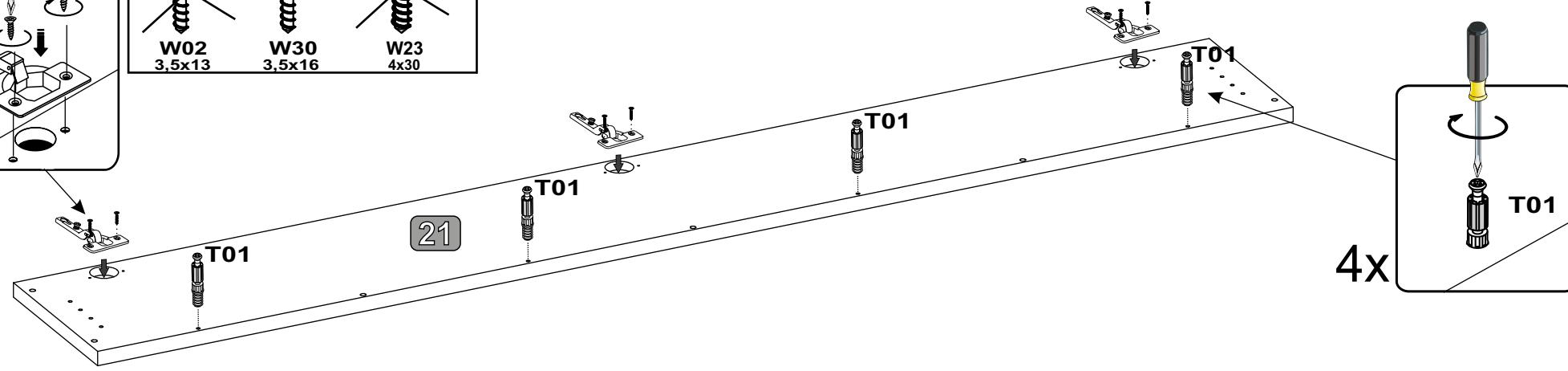
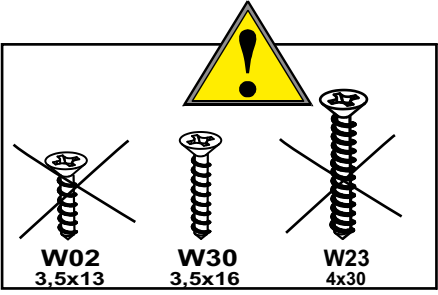
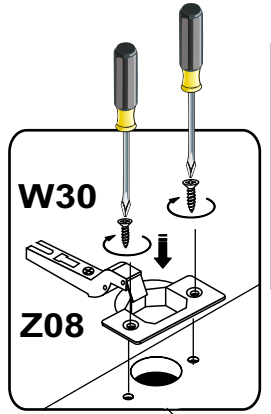
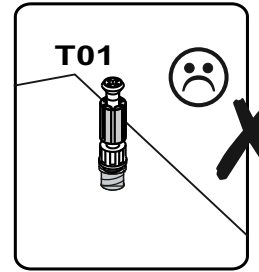
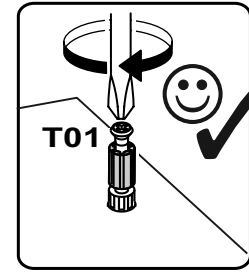
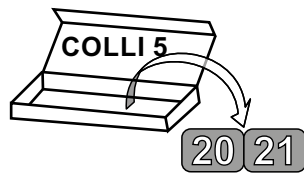
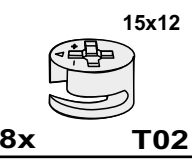
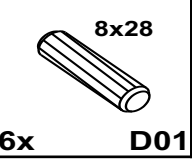
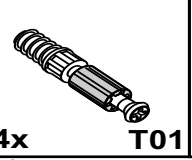
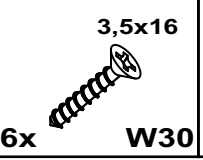
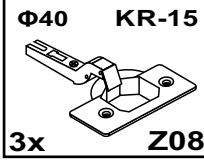


13

- 2x NOG
- 4x REG
- 2x L08
- 4x W30
- 4x T01

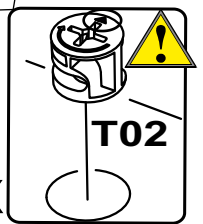
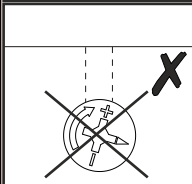
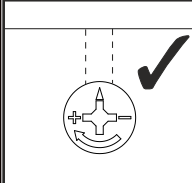
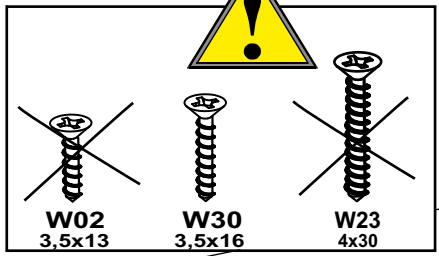
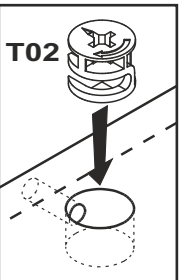
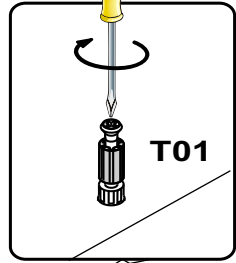
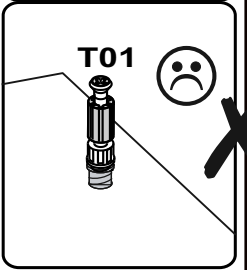
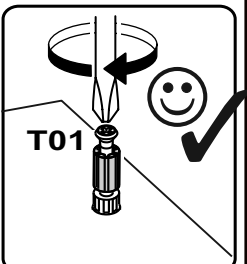
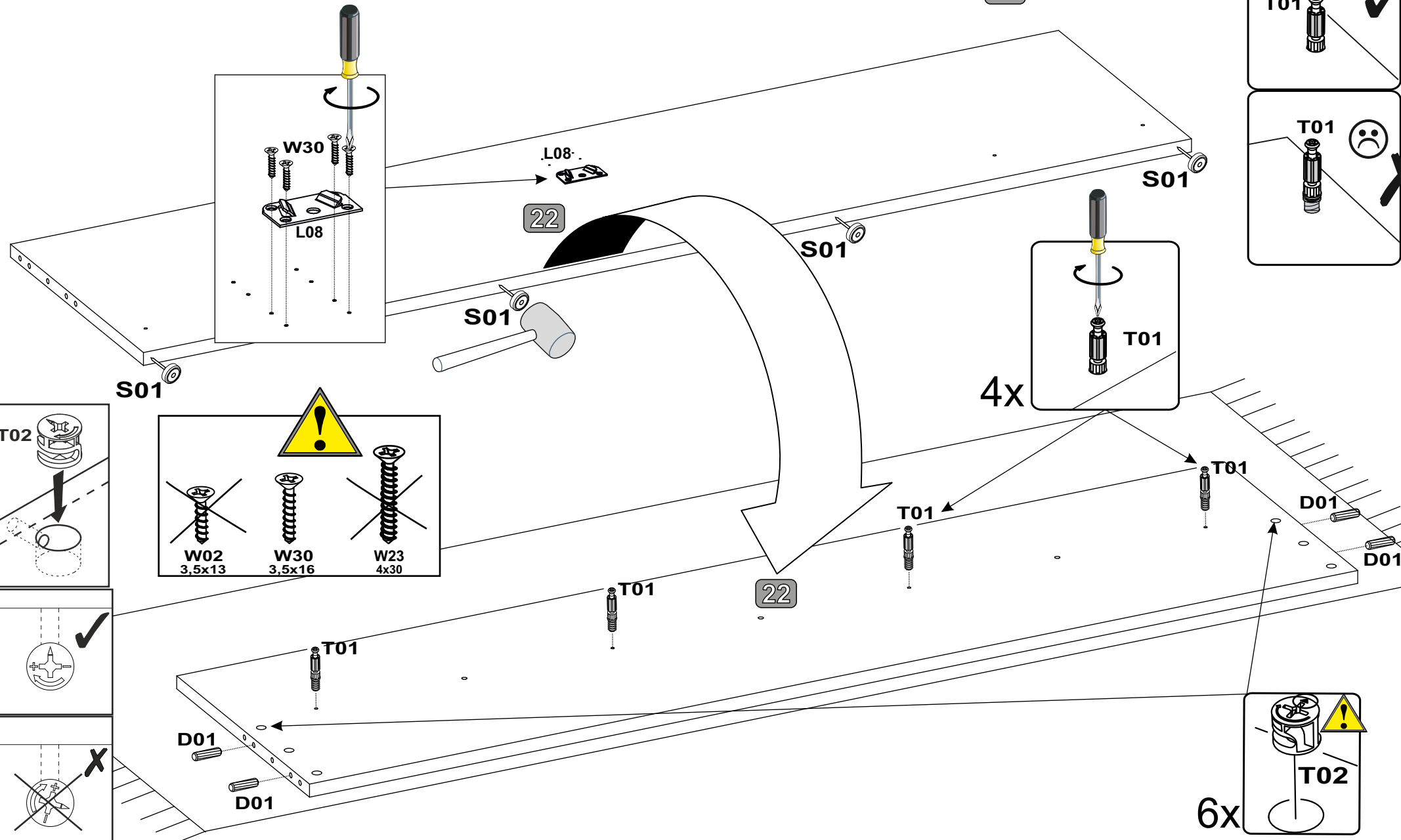
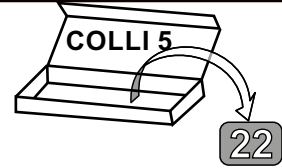


14



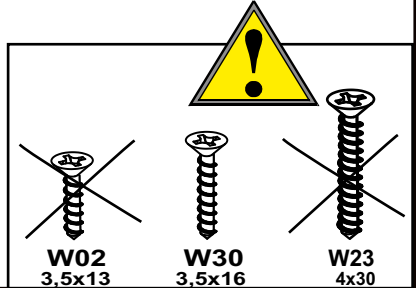
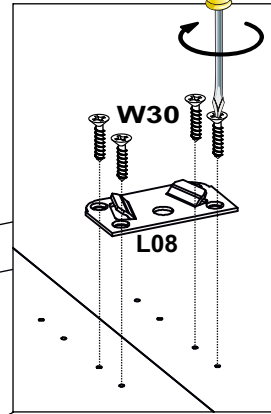
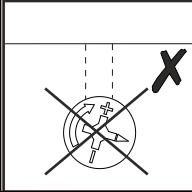
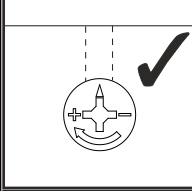
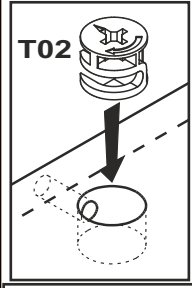
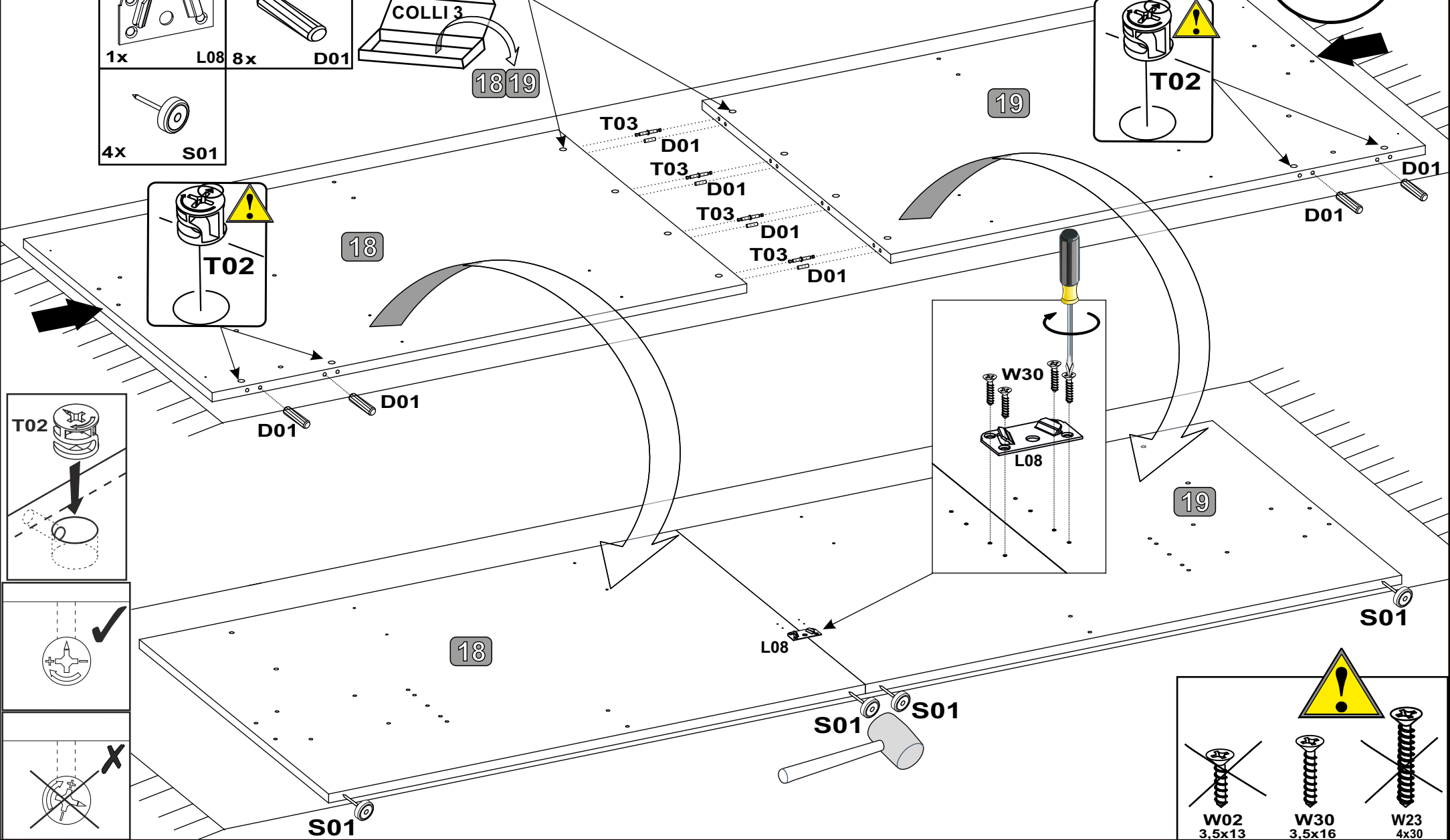
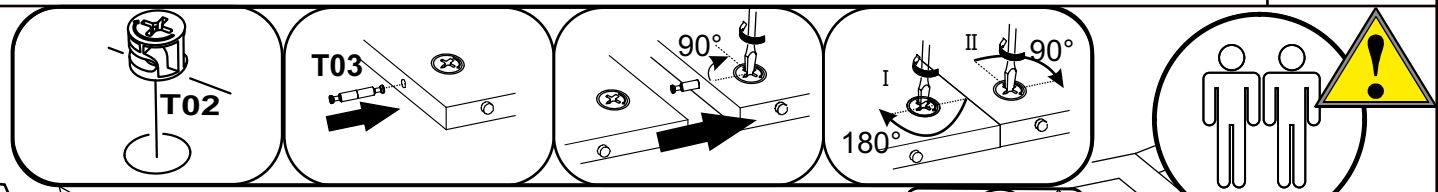
15

- 4x T01
- 4x D01
- 6x T02
- 1x L08
- 4x S01
- 4x W30



16

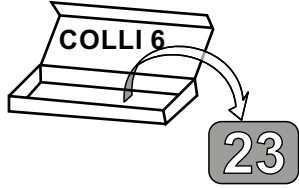
- 15x12 T02 12x
- 4x T03
- 3,5x16 W30 4x
- 1x L08
- 8x28 D01 8x
- COLLI 3
- 4x S01



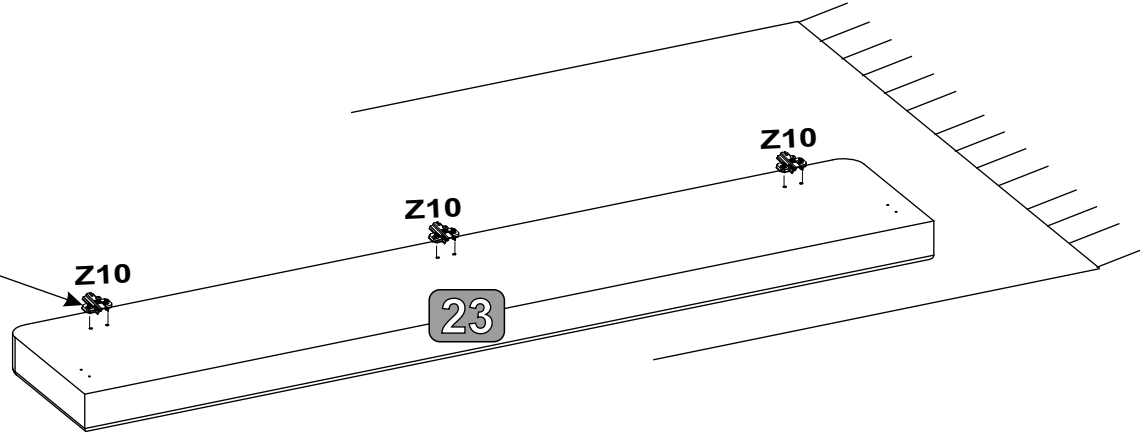
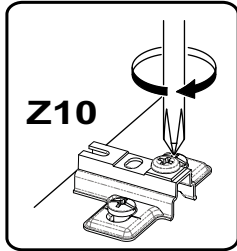
17



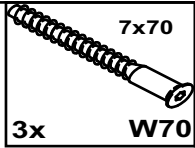
3x Z10



3x



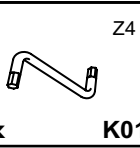
18



7x70

3x

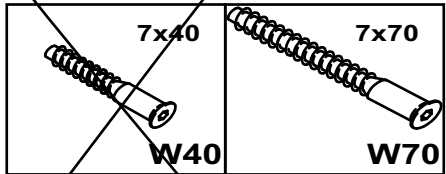
W70



Z4

1x

K01

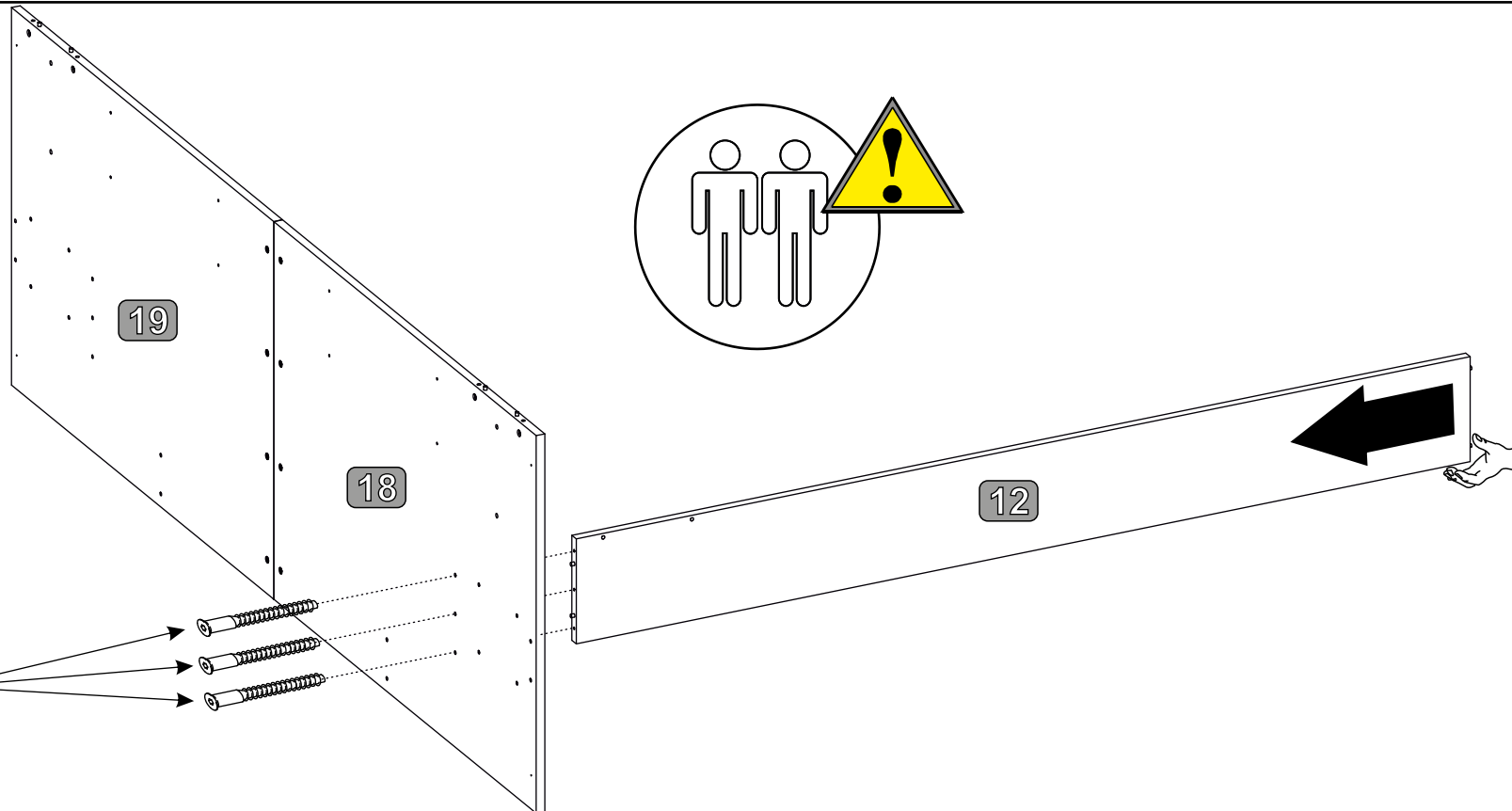


7x40

7x70

W40

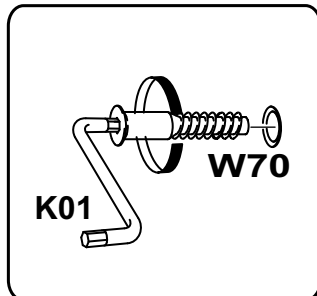
W70



19

18

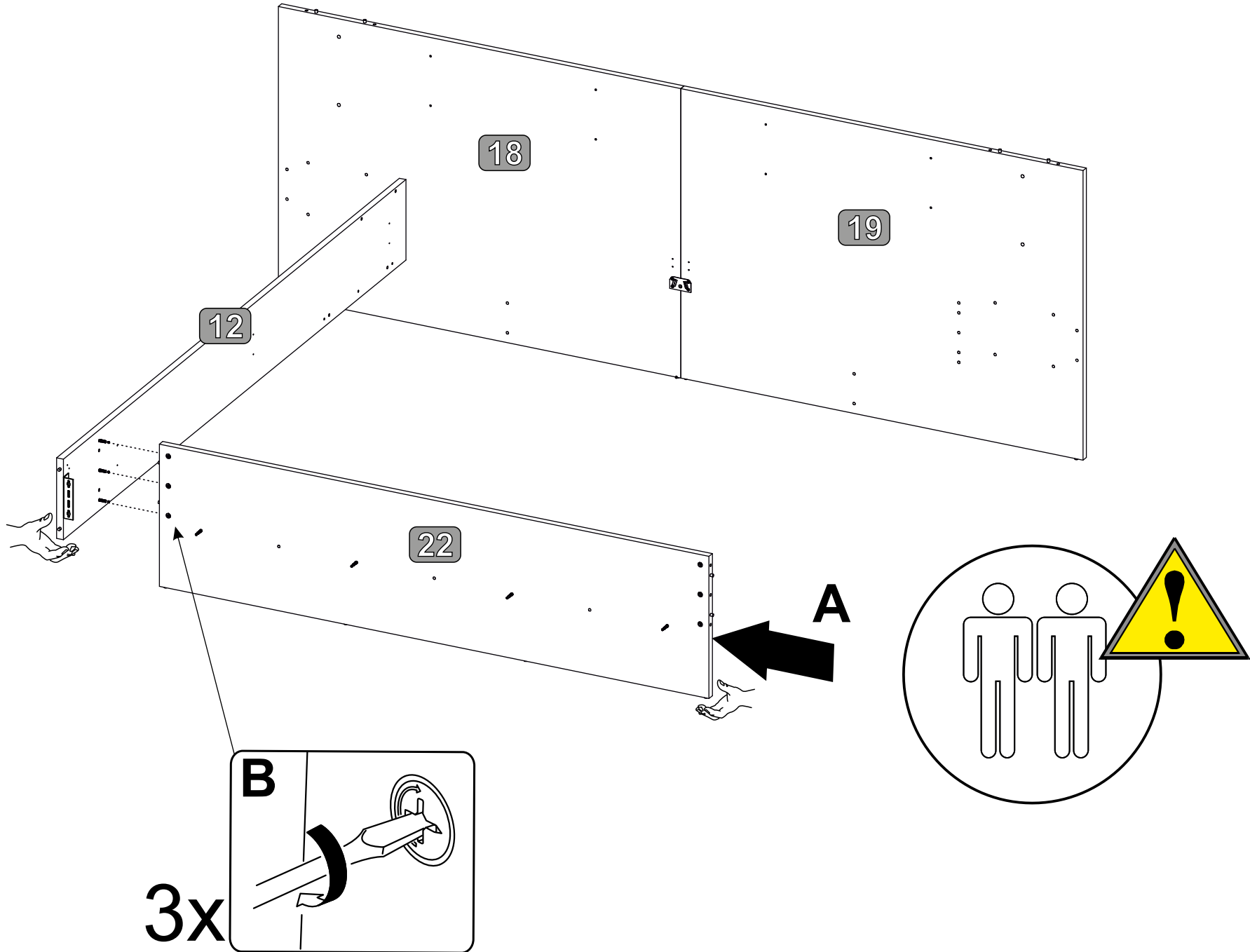
12



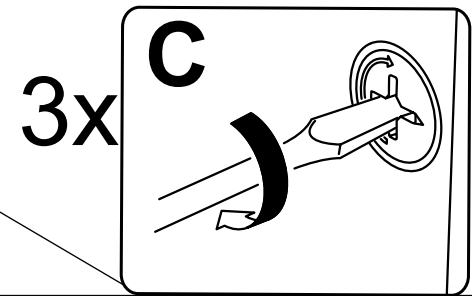
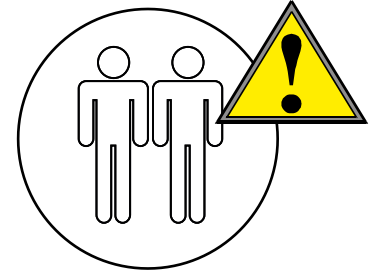
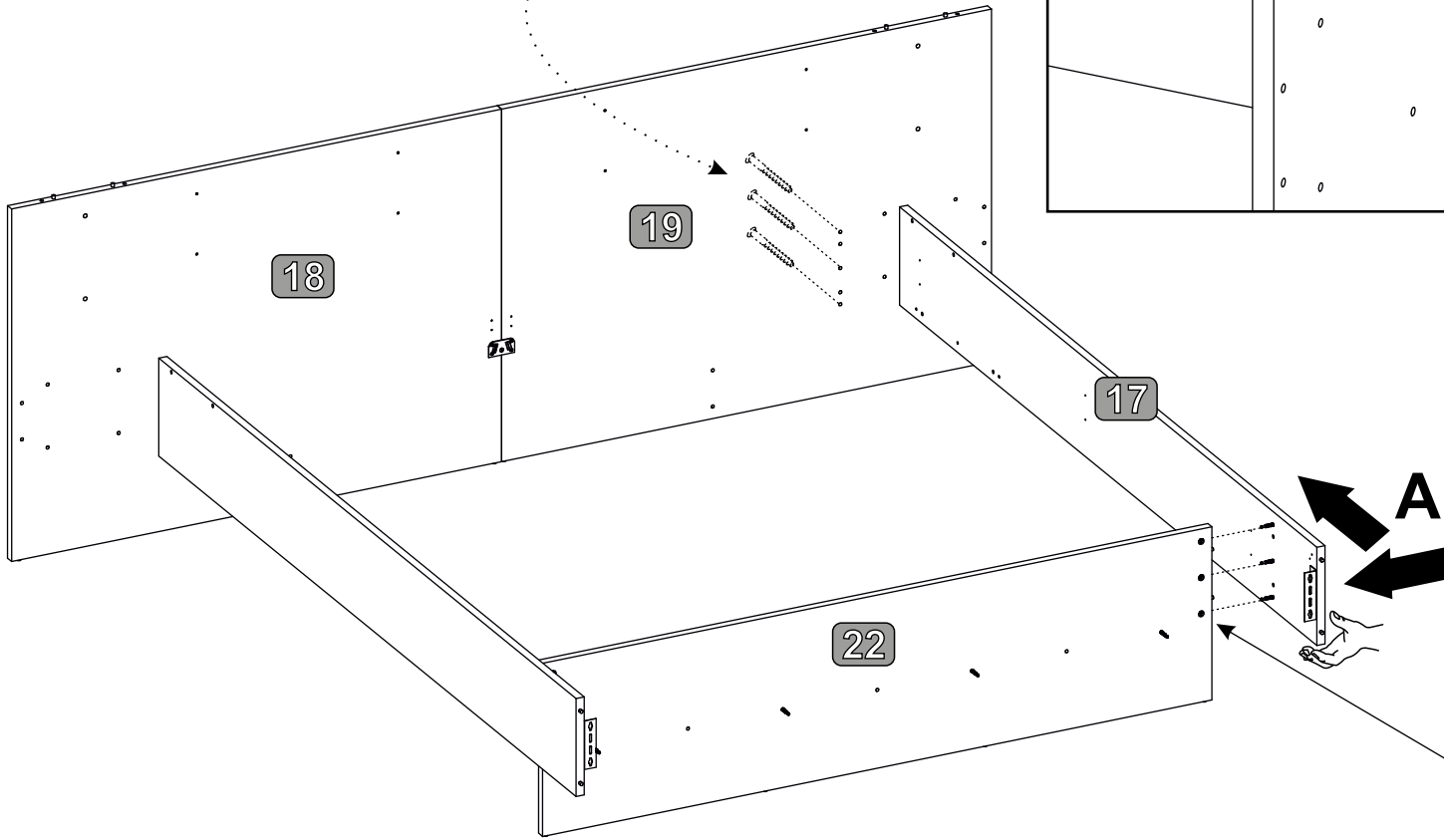
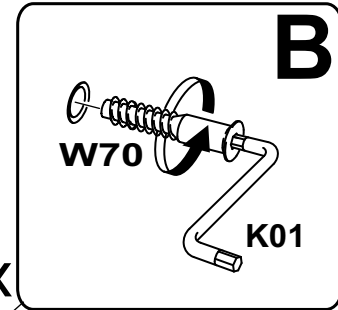
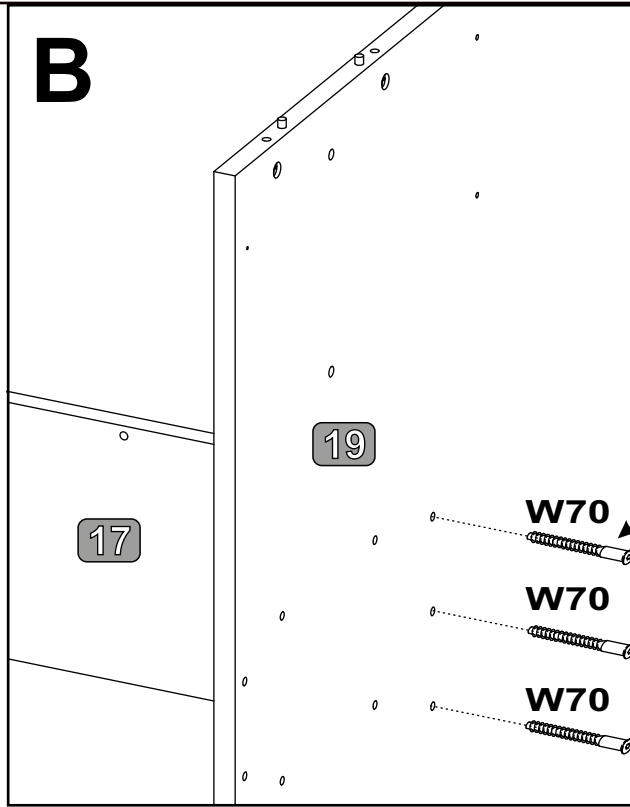
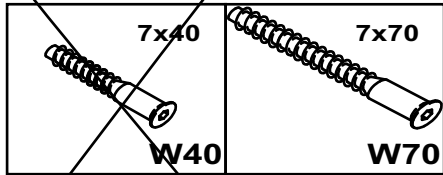
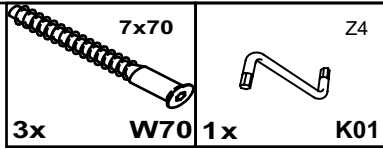
K01

W70

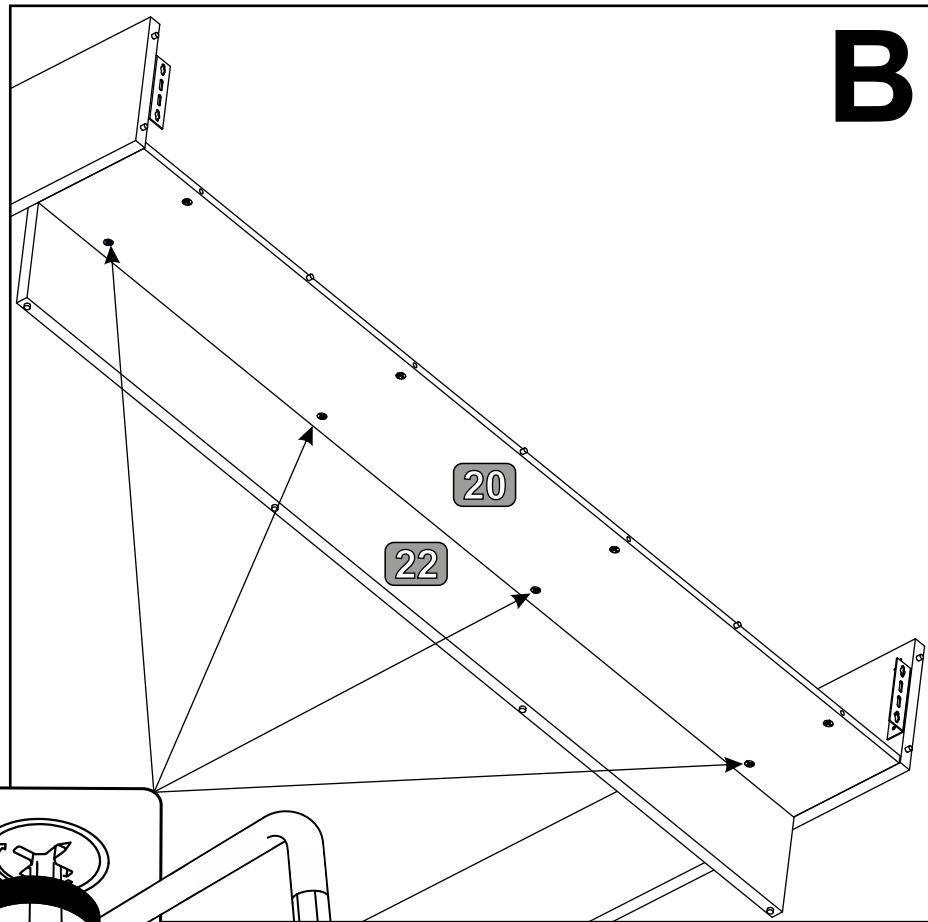
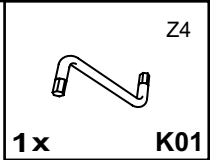
19



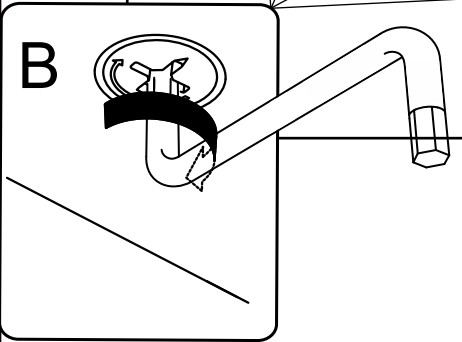
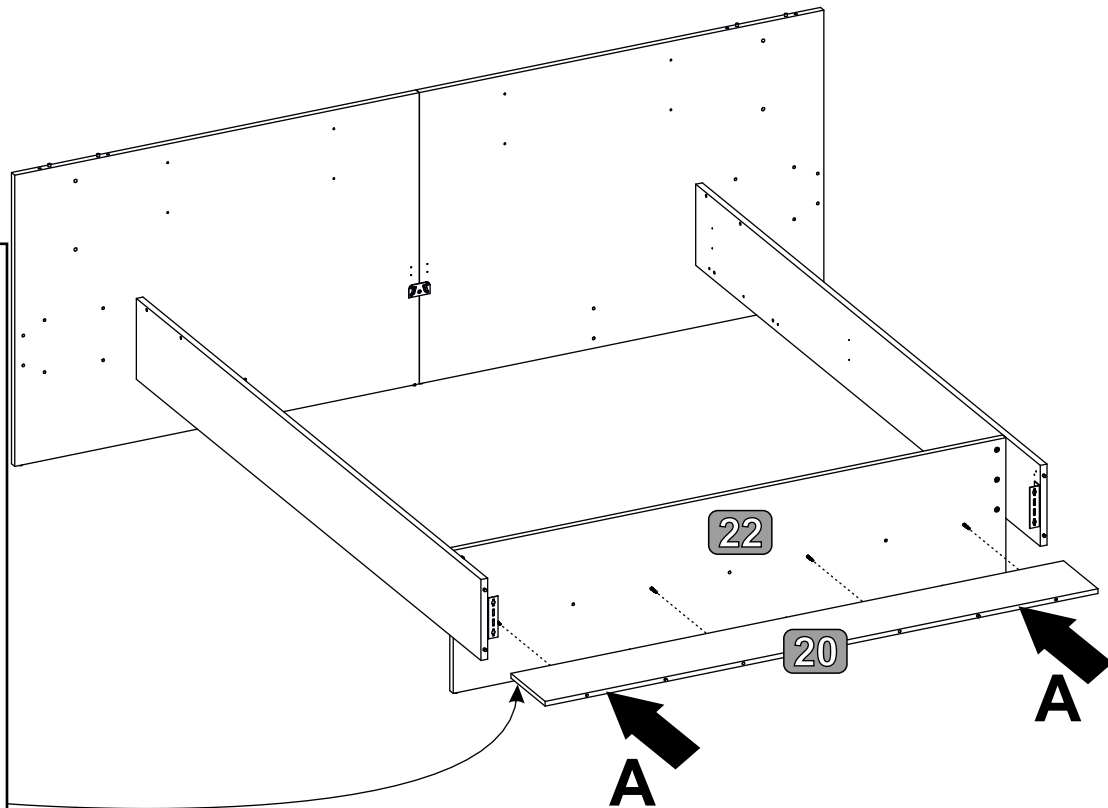
20



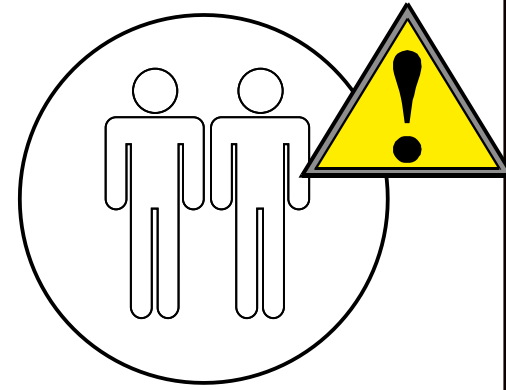
21



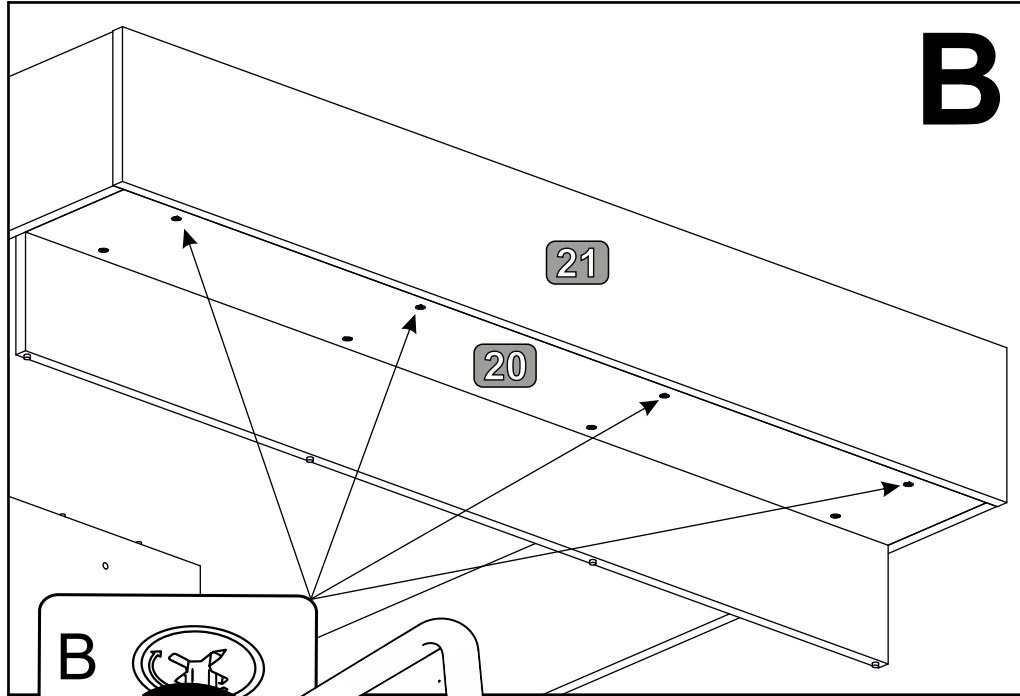
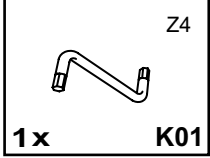
B



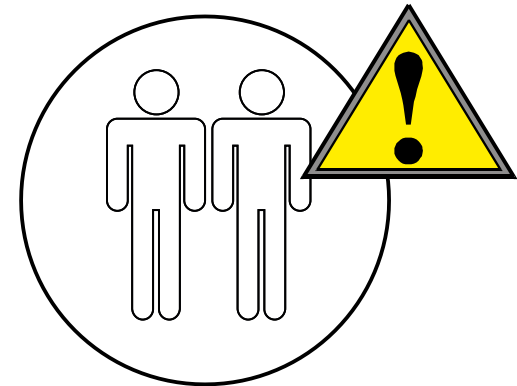
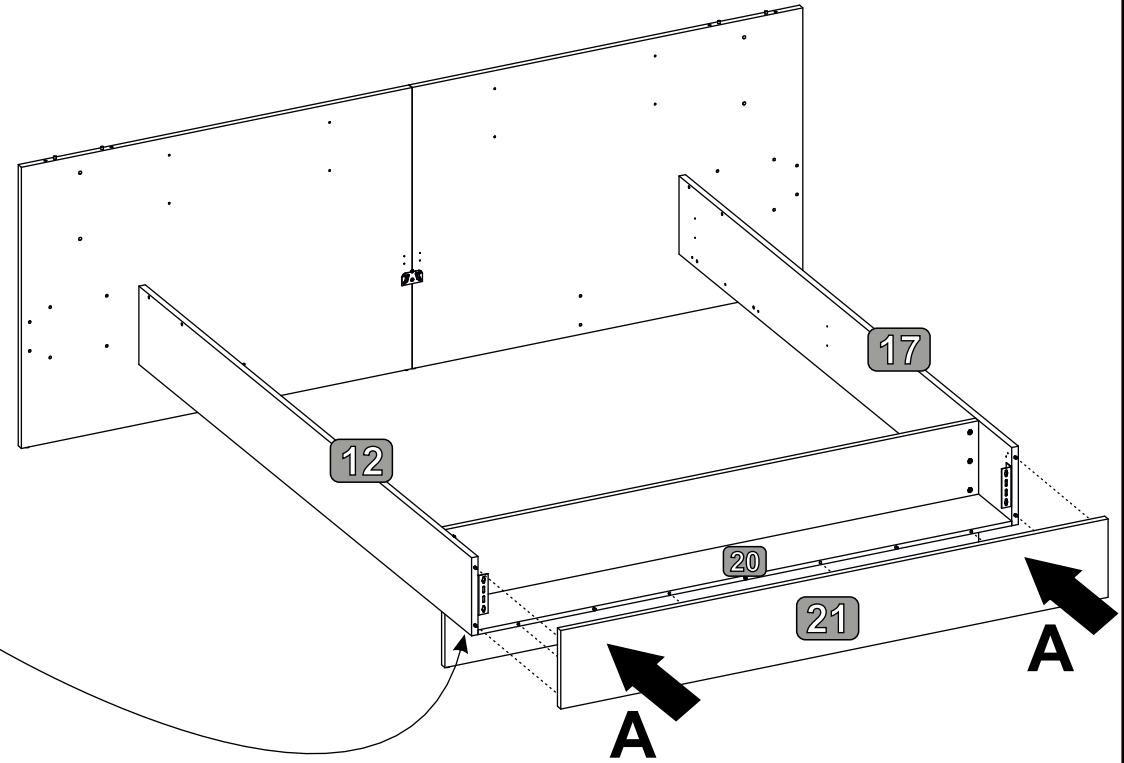
B



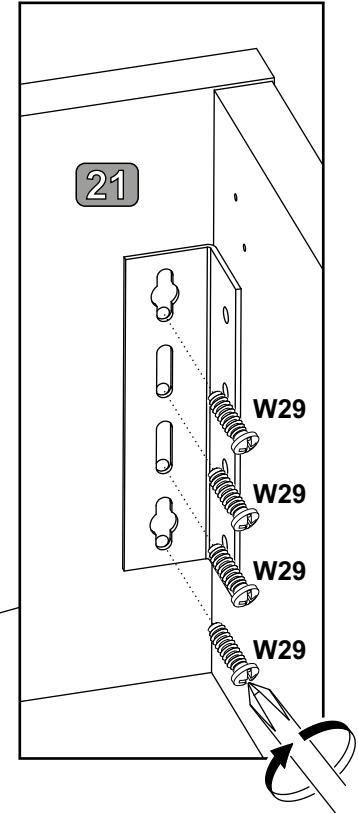
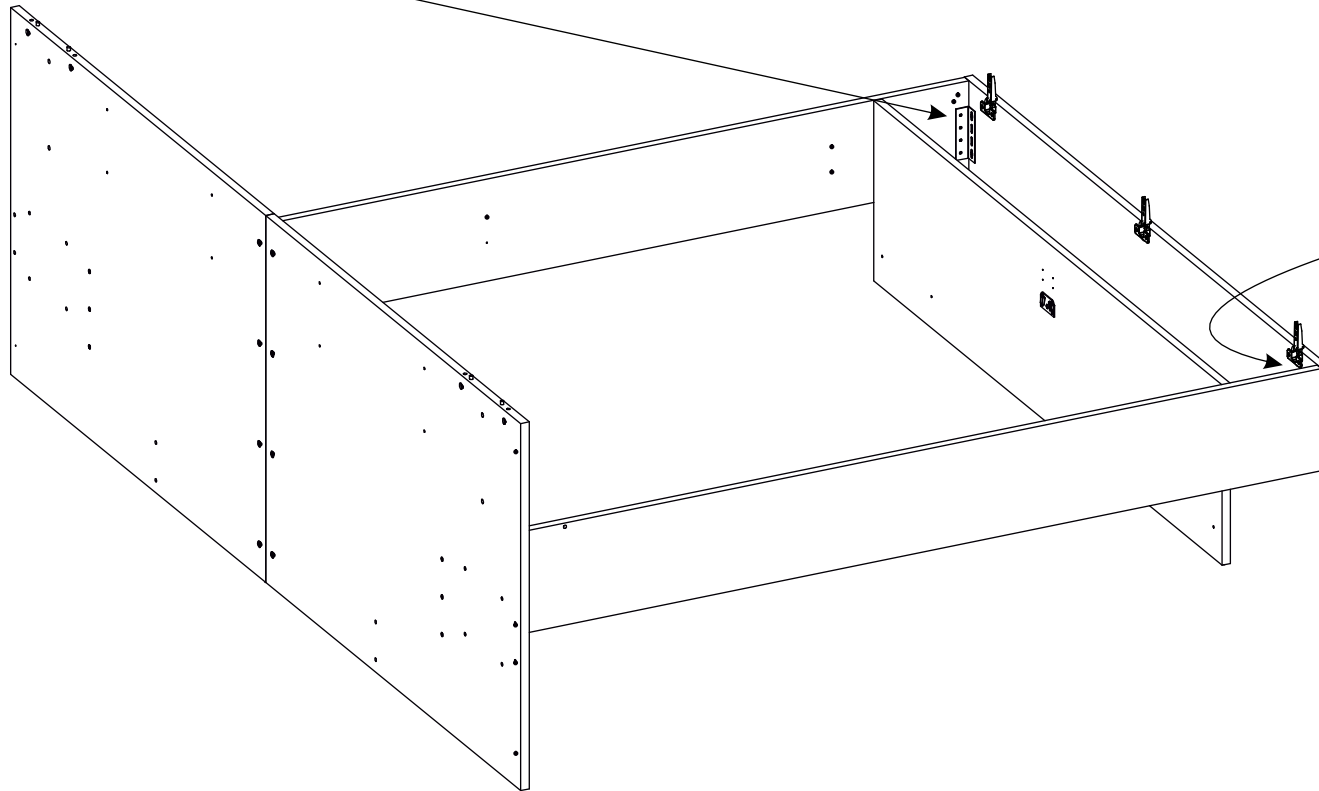
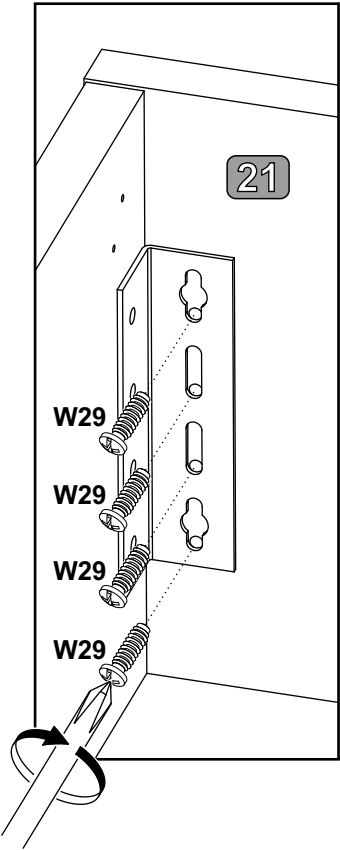
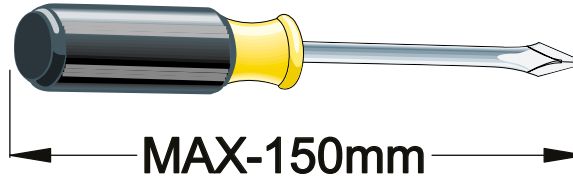
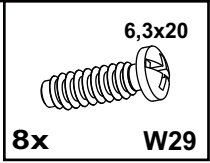
22



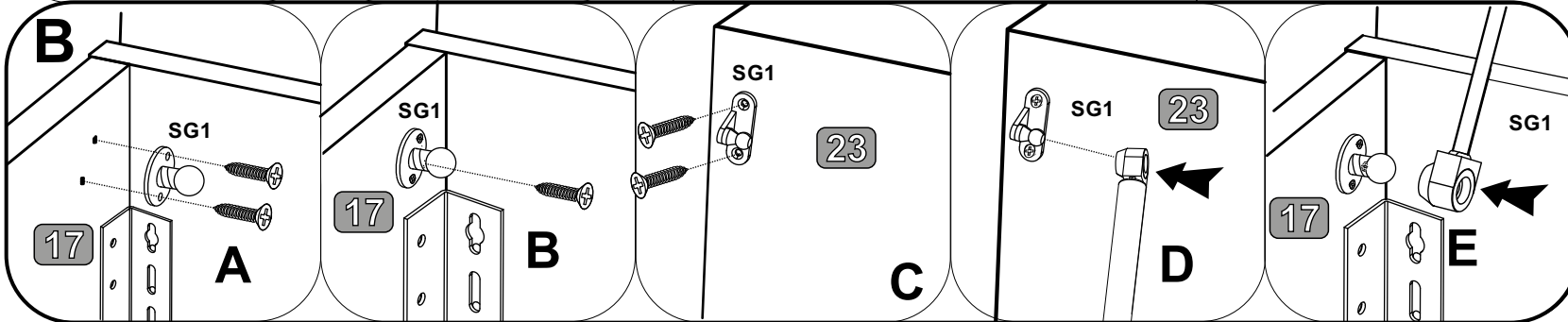
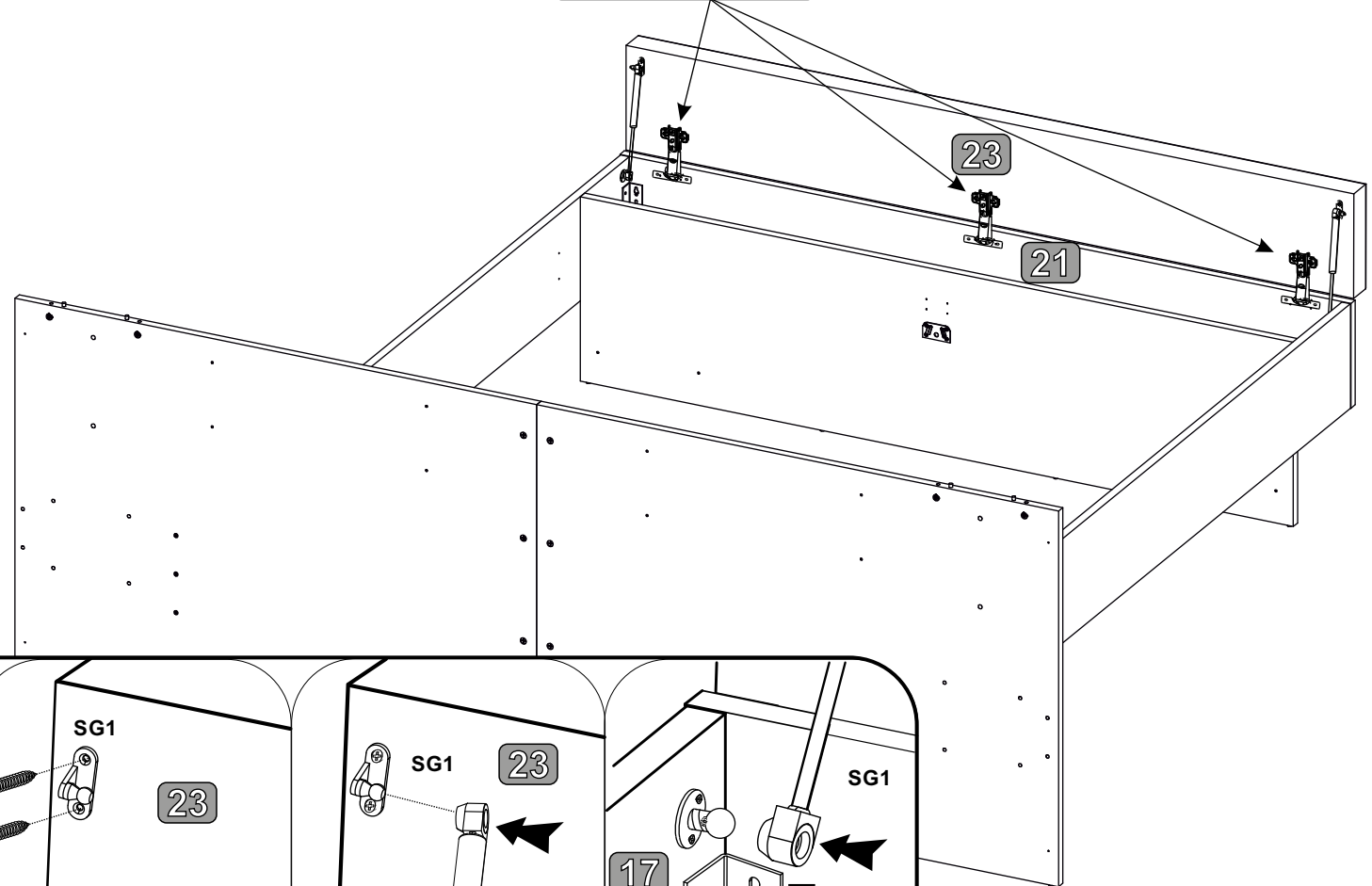
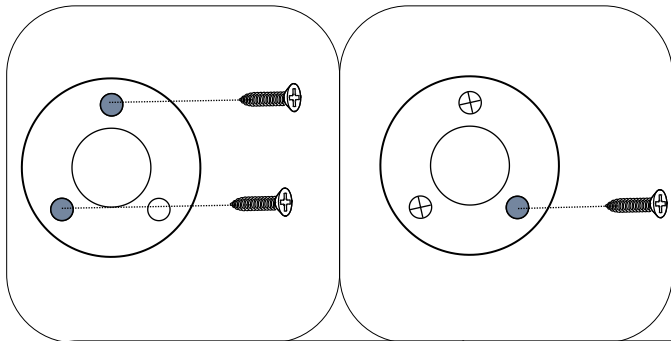
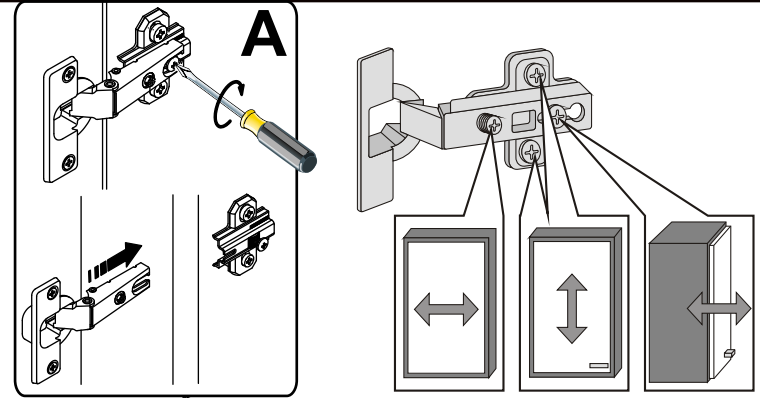
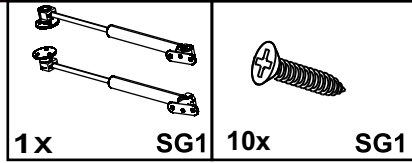
B



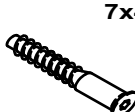
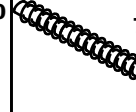
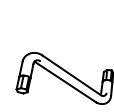
23

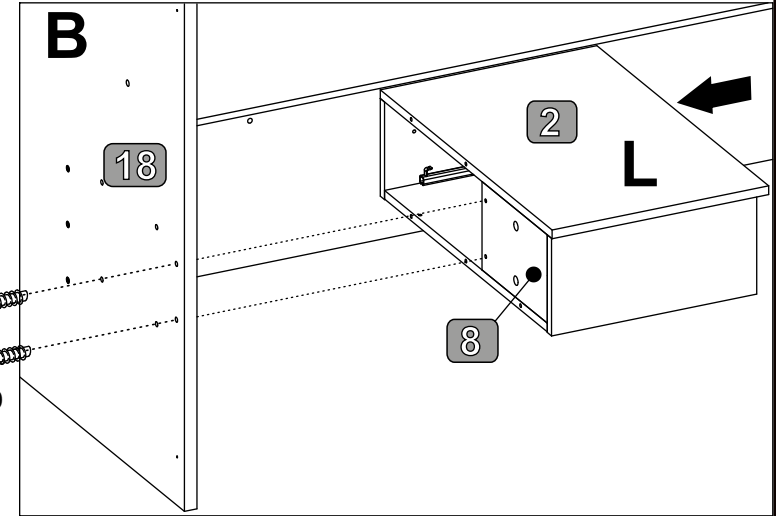
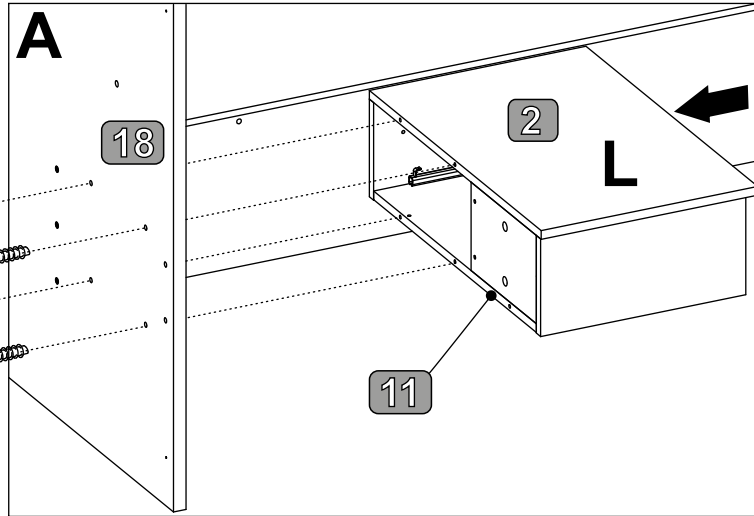
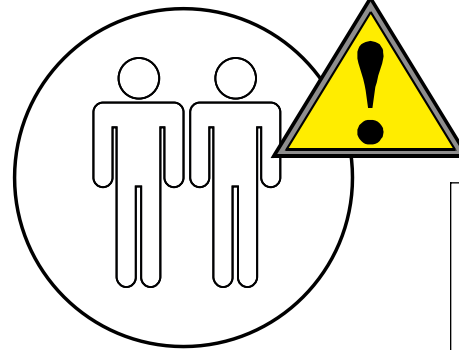


24

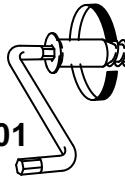


25


 7x40	 7x70	 Z4
2x W40	4x W70	1x K01




4x



K01

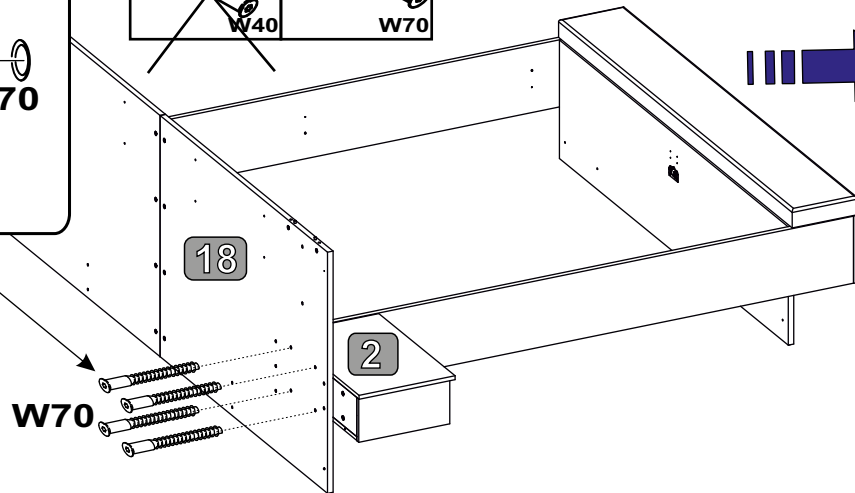


W70

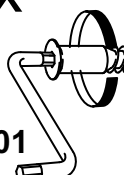


~~7x40~~
W40


~~7x70~~
W70




2x



K01

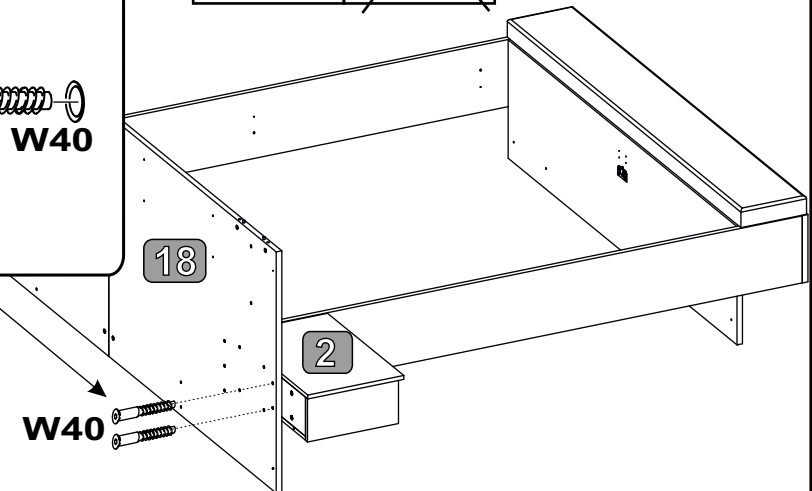


W40



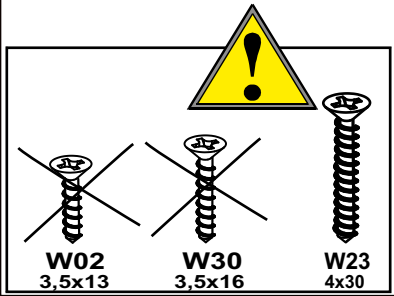
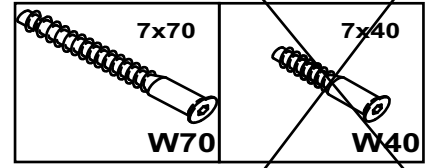
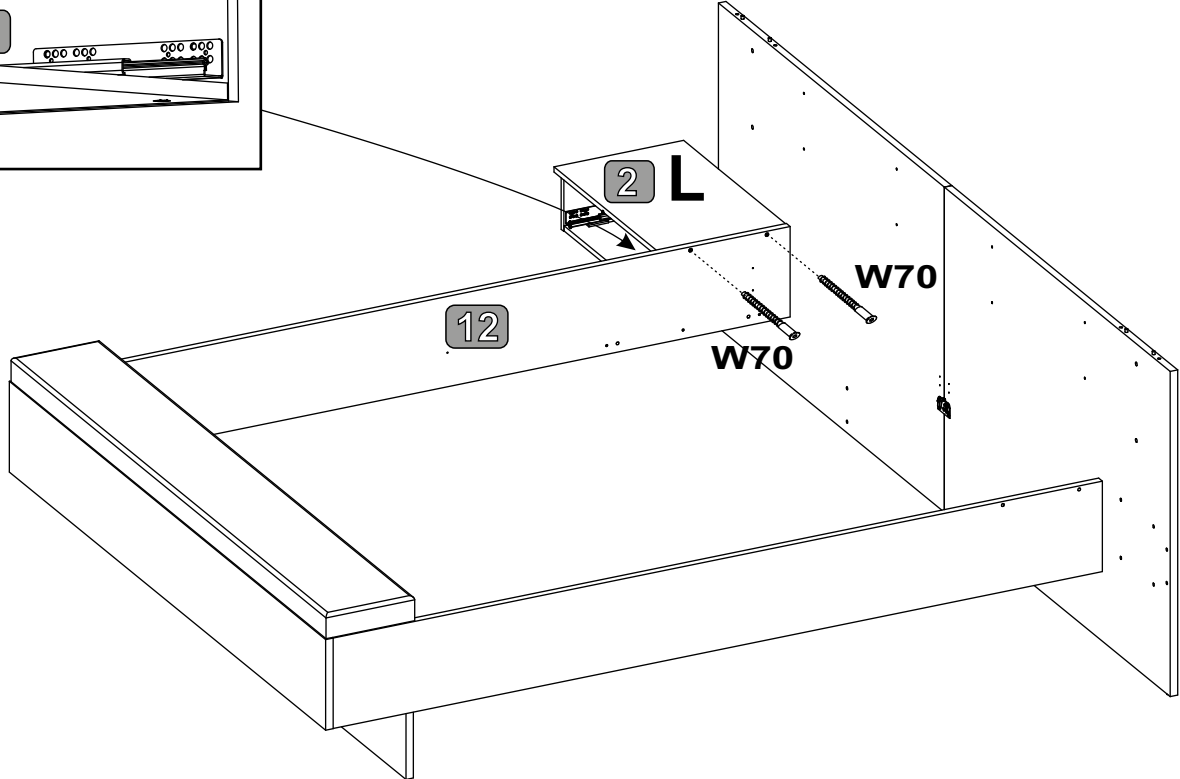
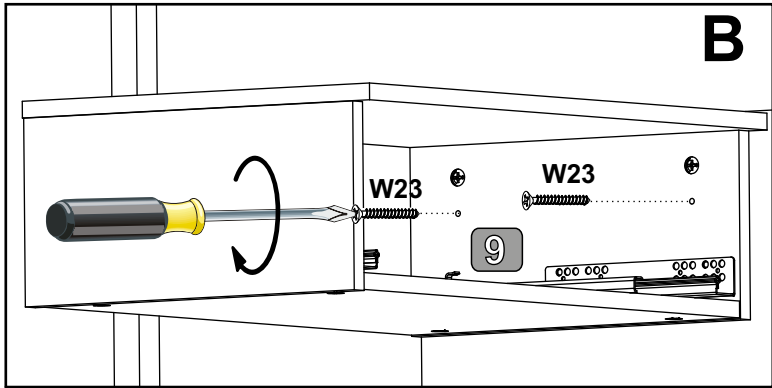
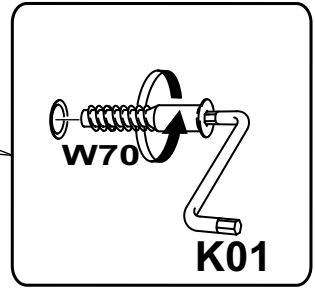
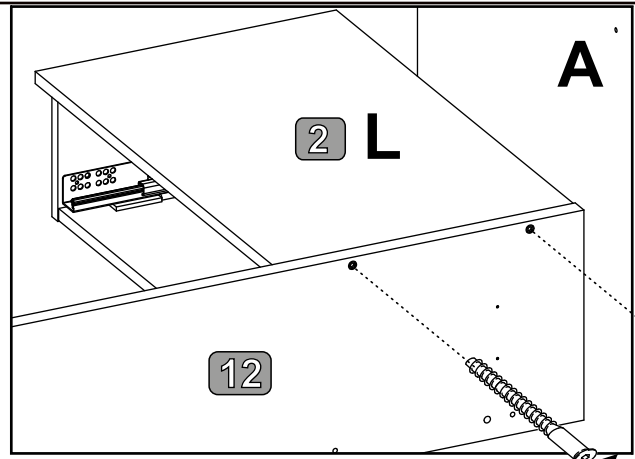
~~7x40~~
W40

~~7x70~~
W70



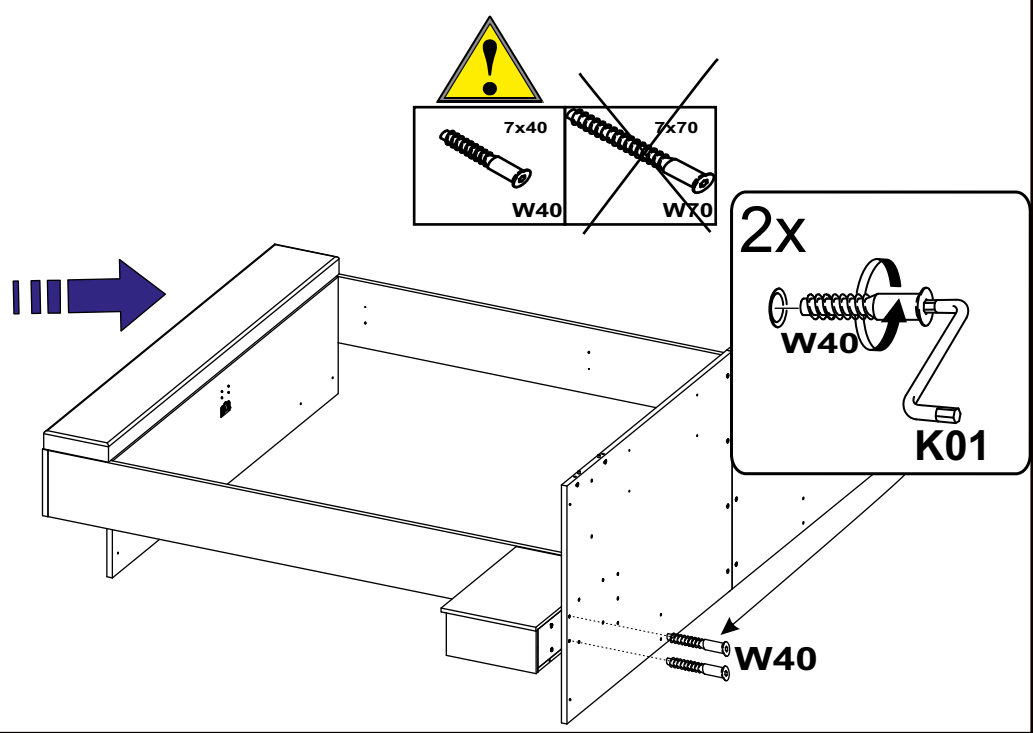
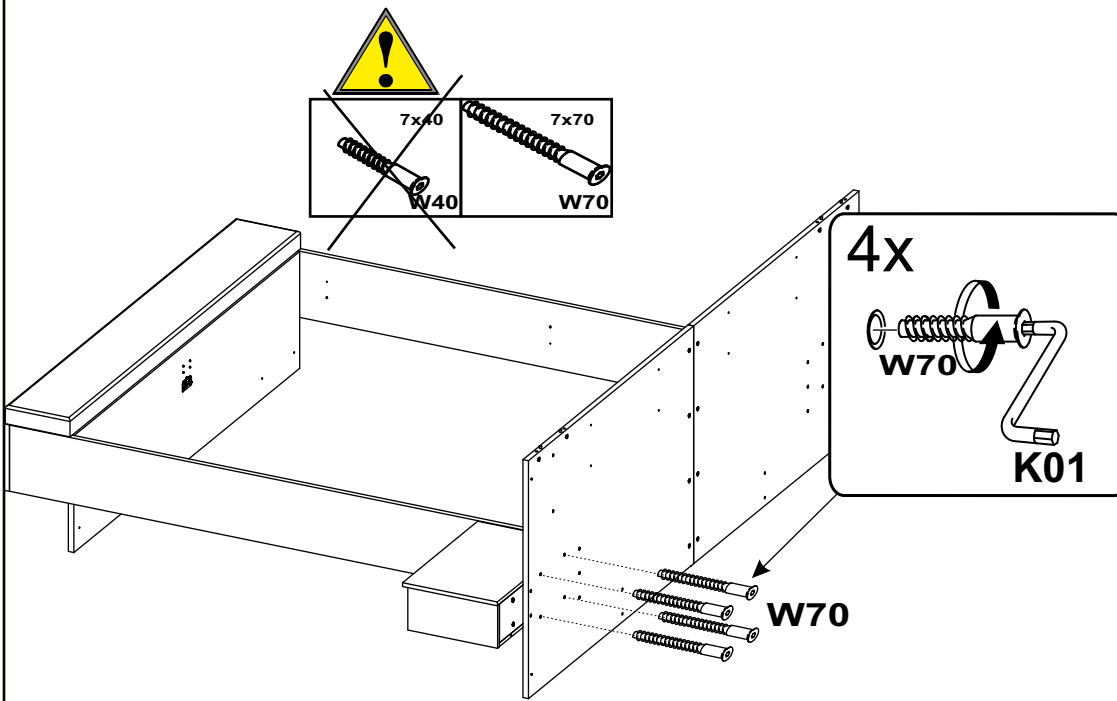
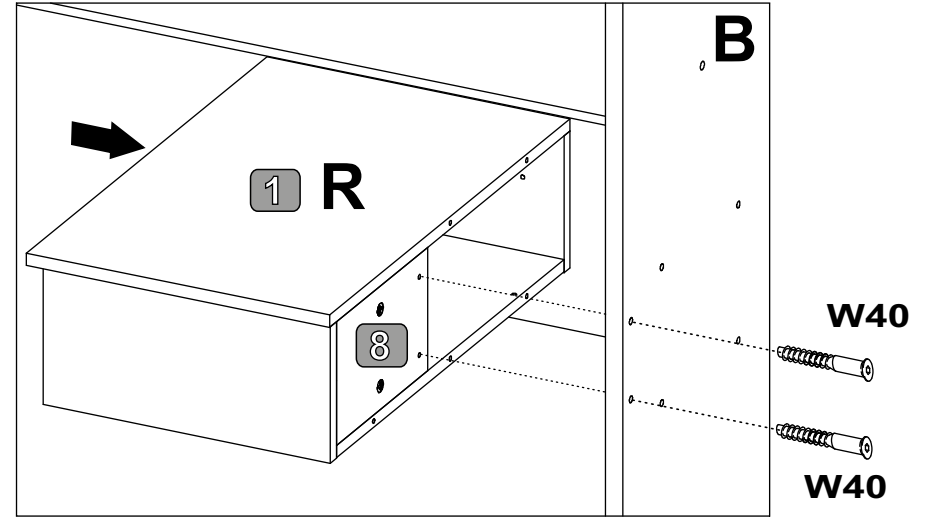
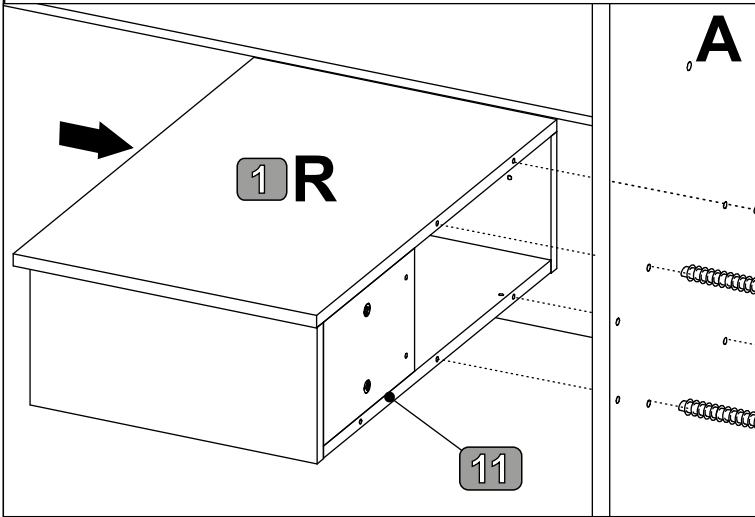
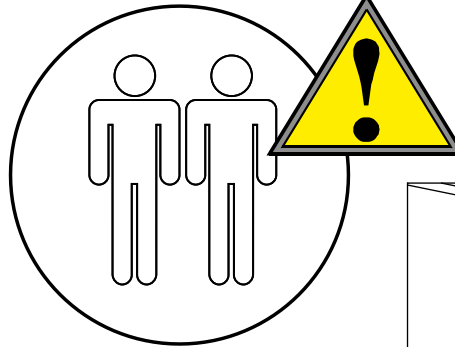
26

7x70	Z4
2x W70	1x K01
4x30	
2x W23	



27

7x40 W40	7x70 W70	Z4 K01
2x	4x	1x

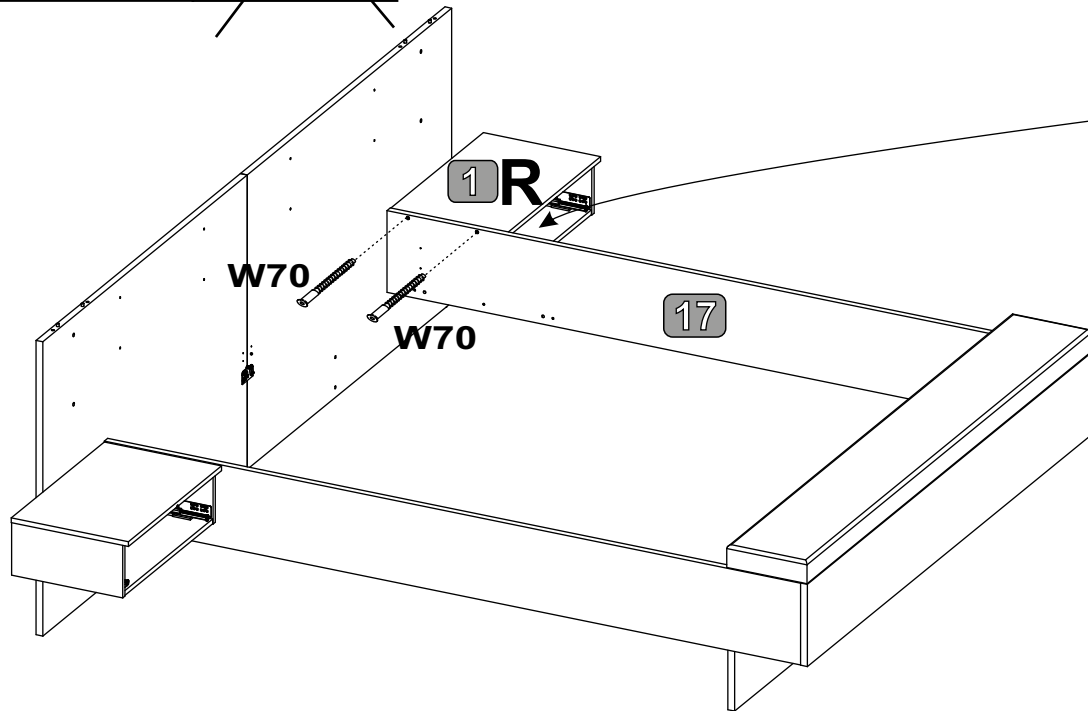
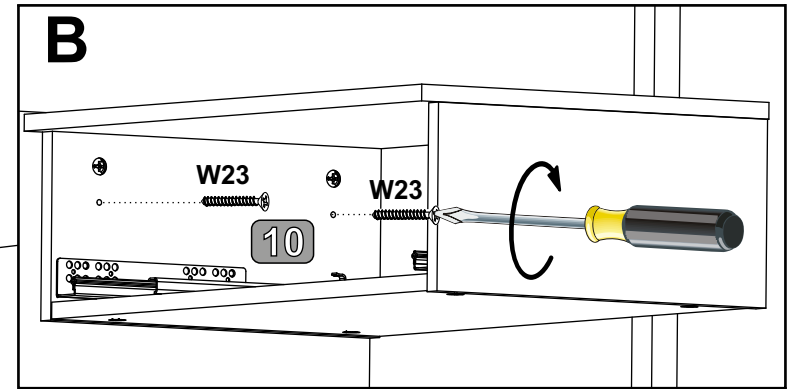
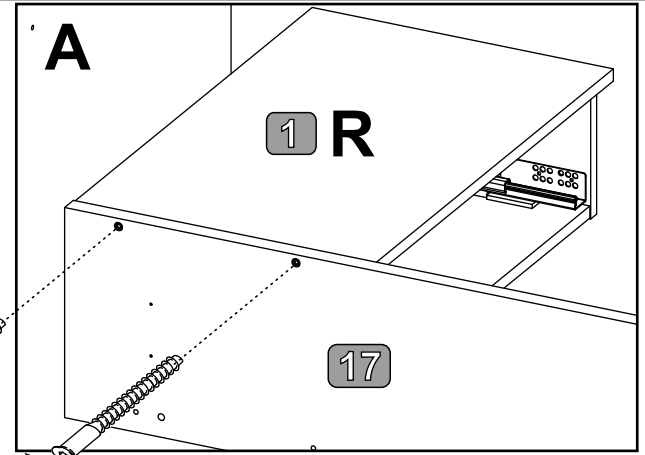
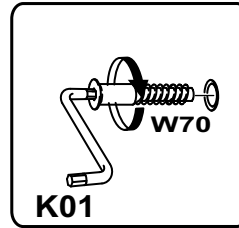


28

7x70 2x W70	Z4 1x K01
4x30 2x W23	

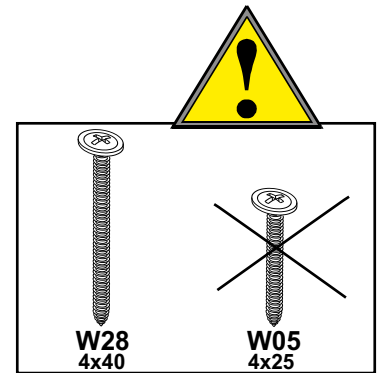
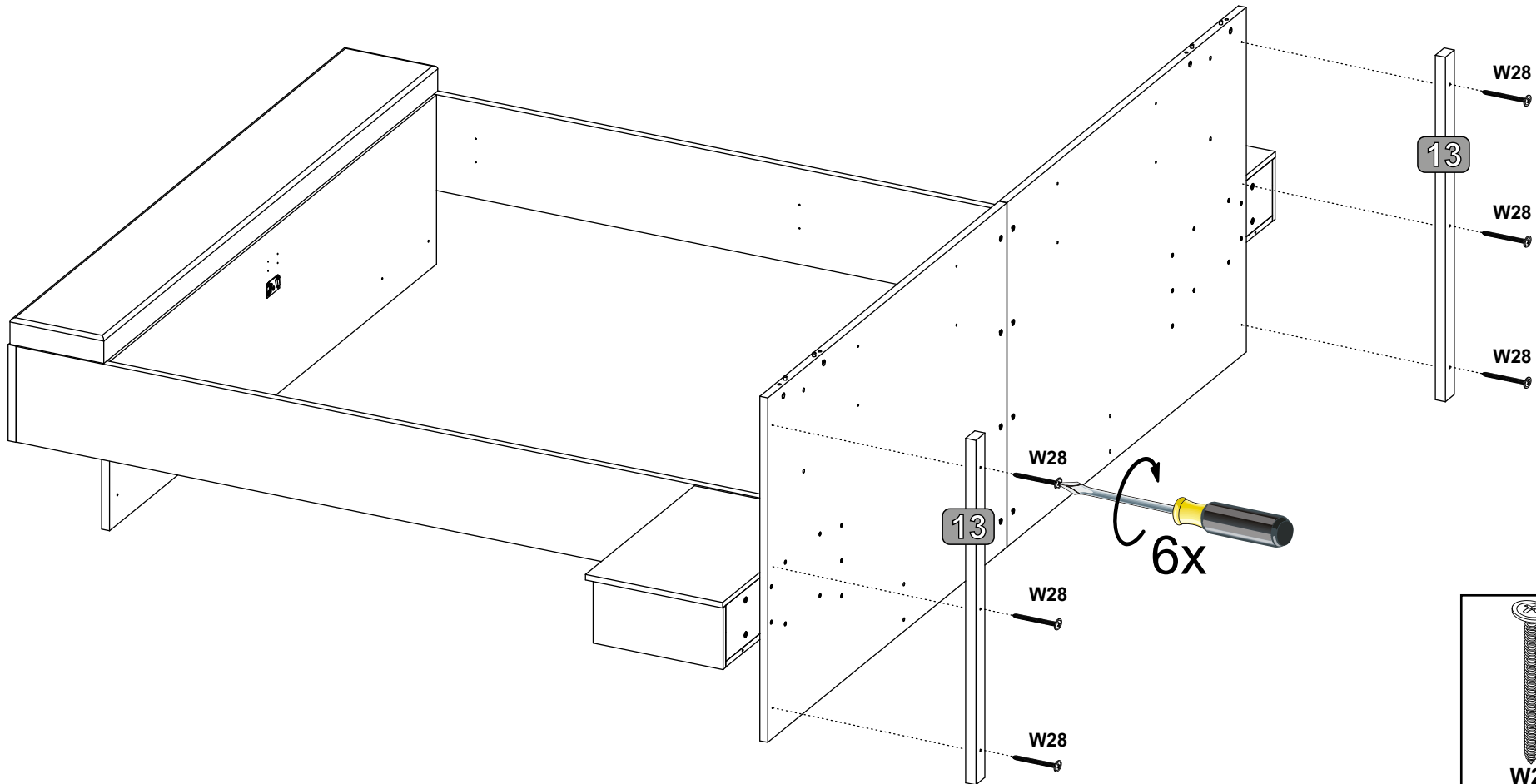
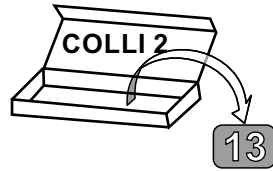
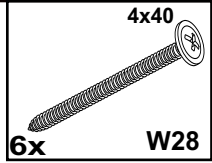


7x70 W70	7x40 W40
-------------------------	-------------------------

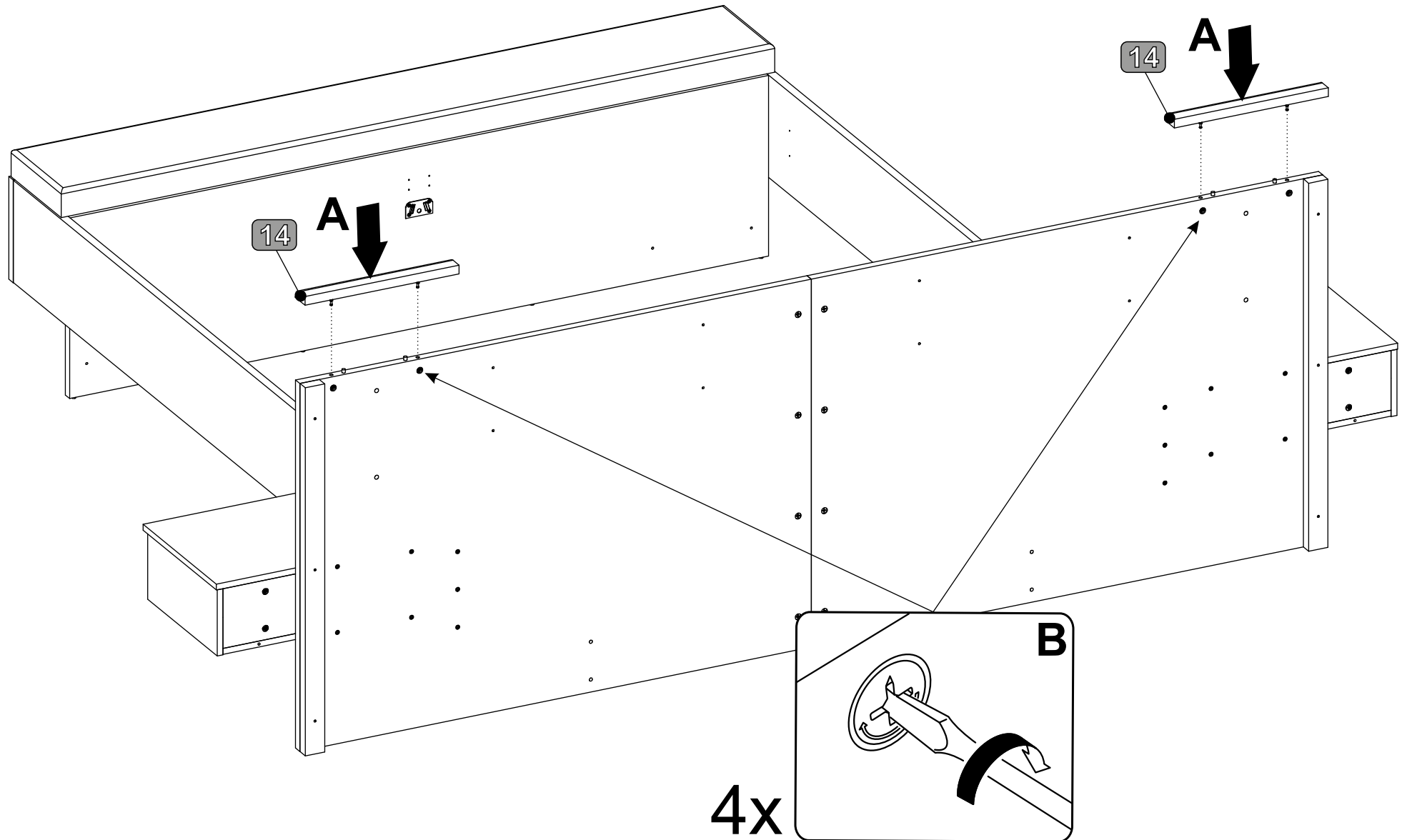


W02 3,5x13	W30 3,5x16	W23 4x30
---------------------------	---------------------------	-------------

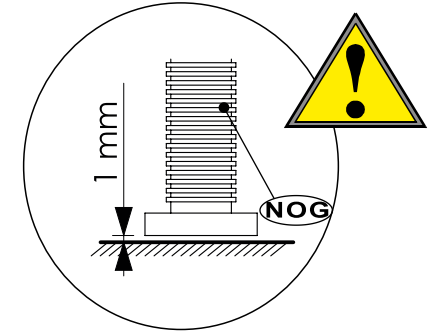
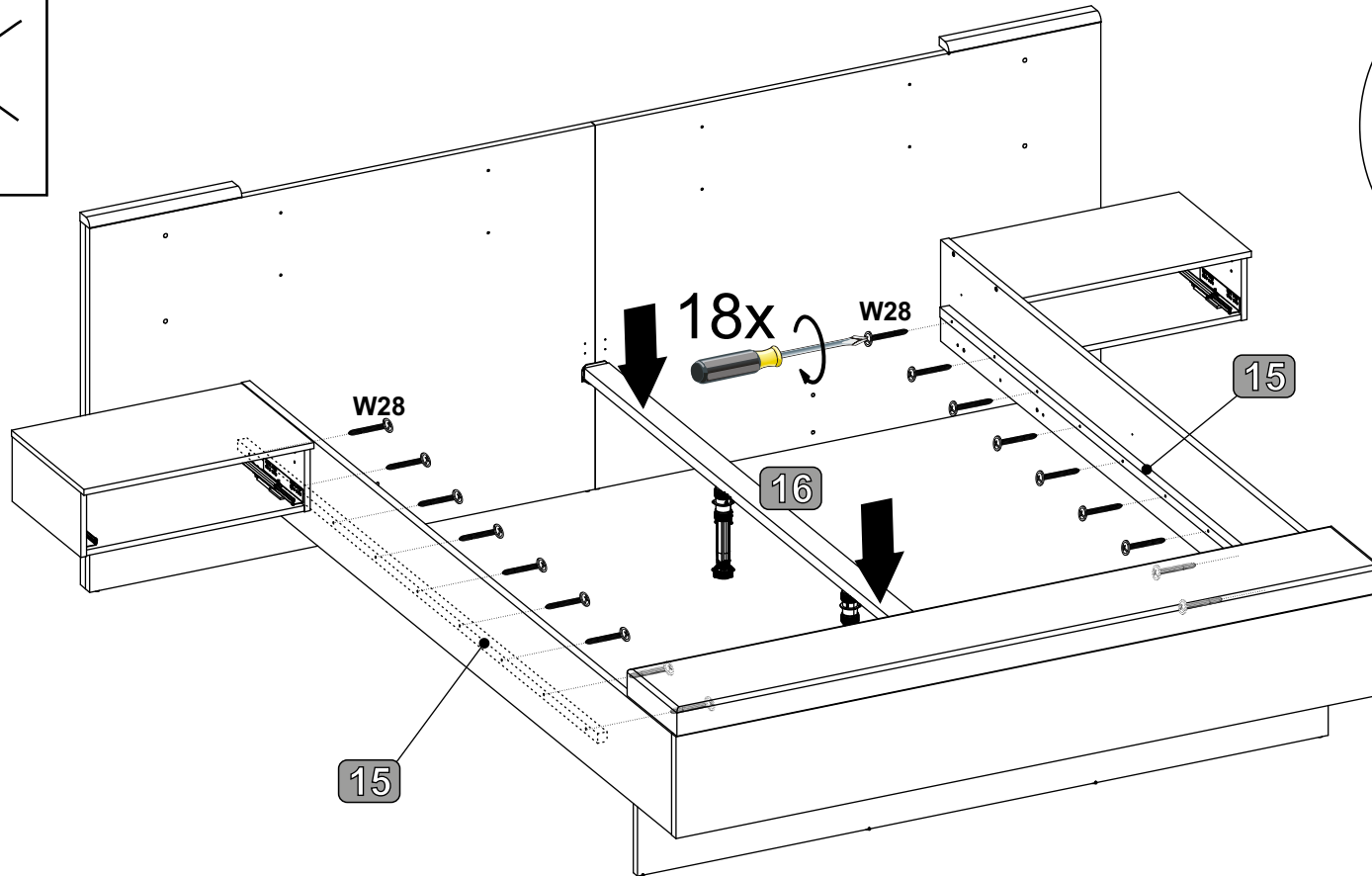
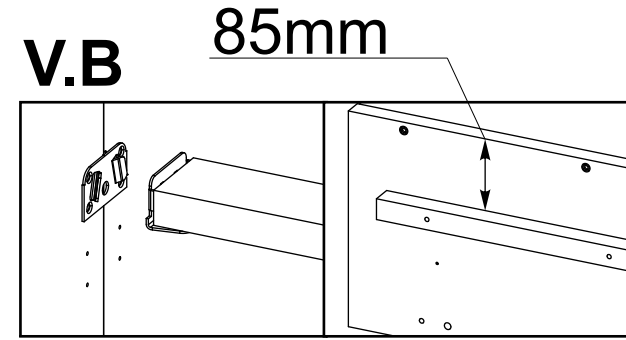
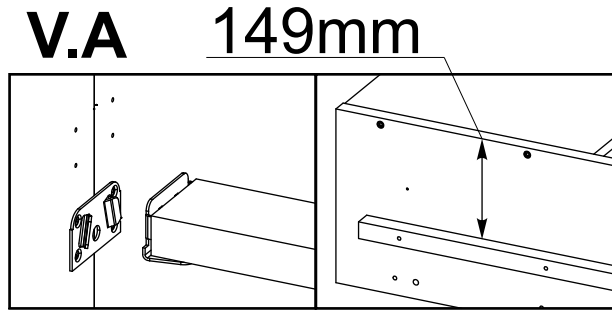
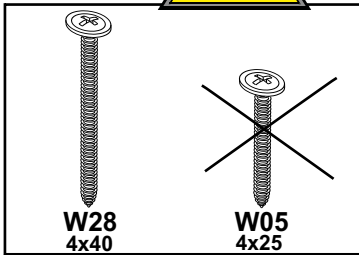
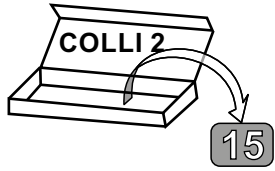
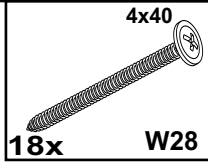
29



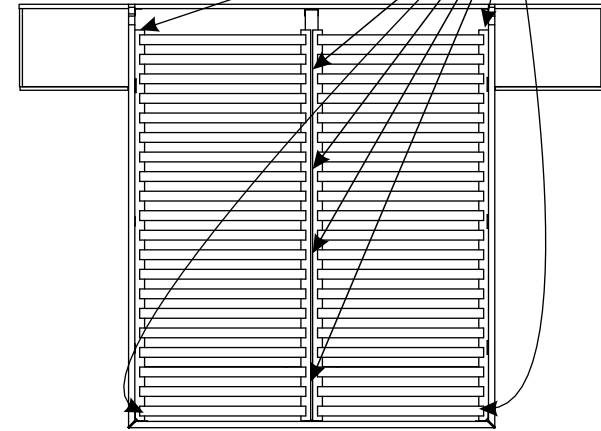
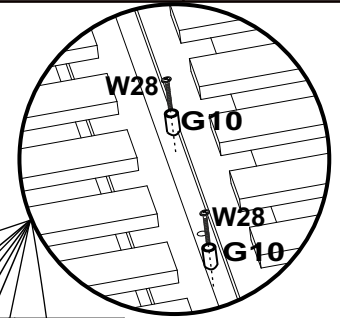
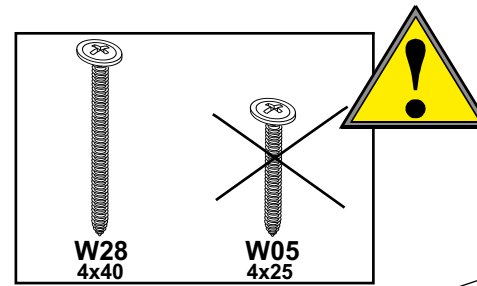
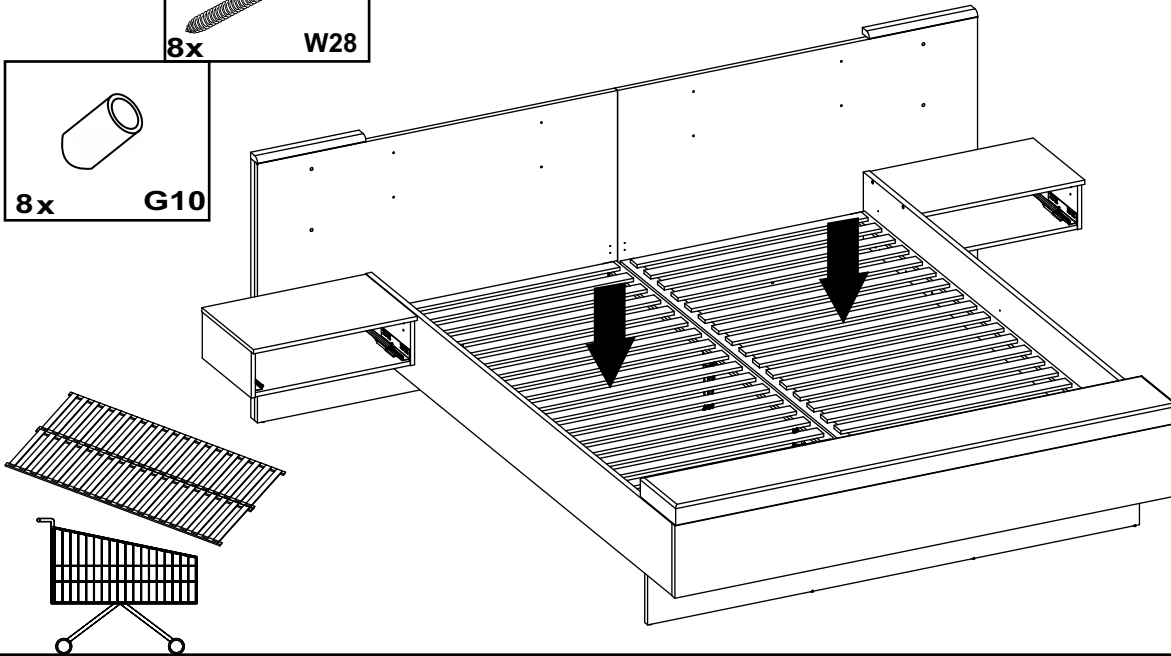
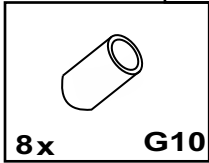
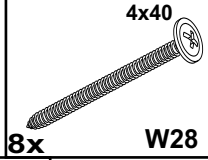
30



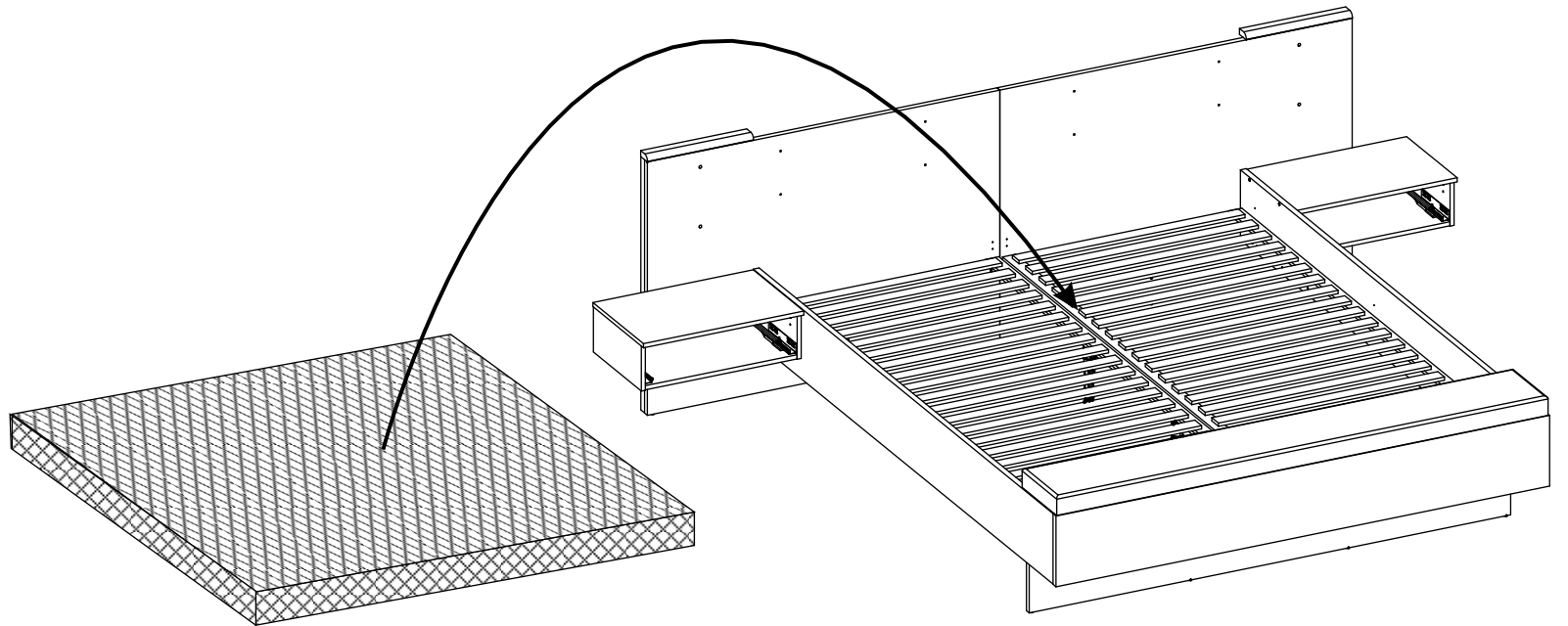
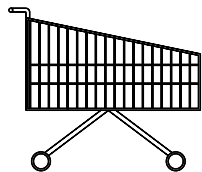
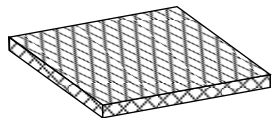
31



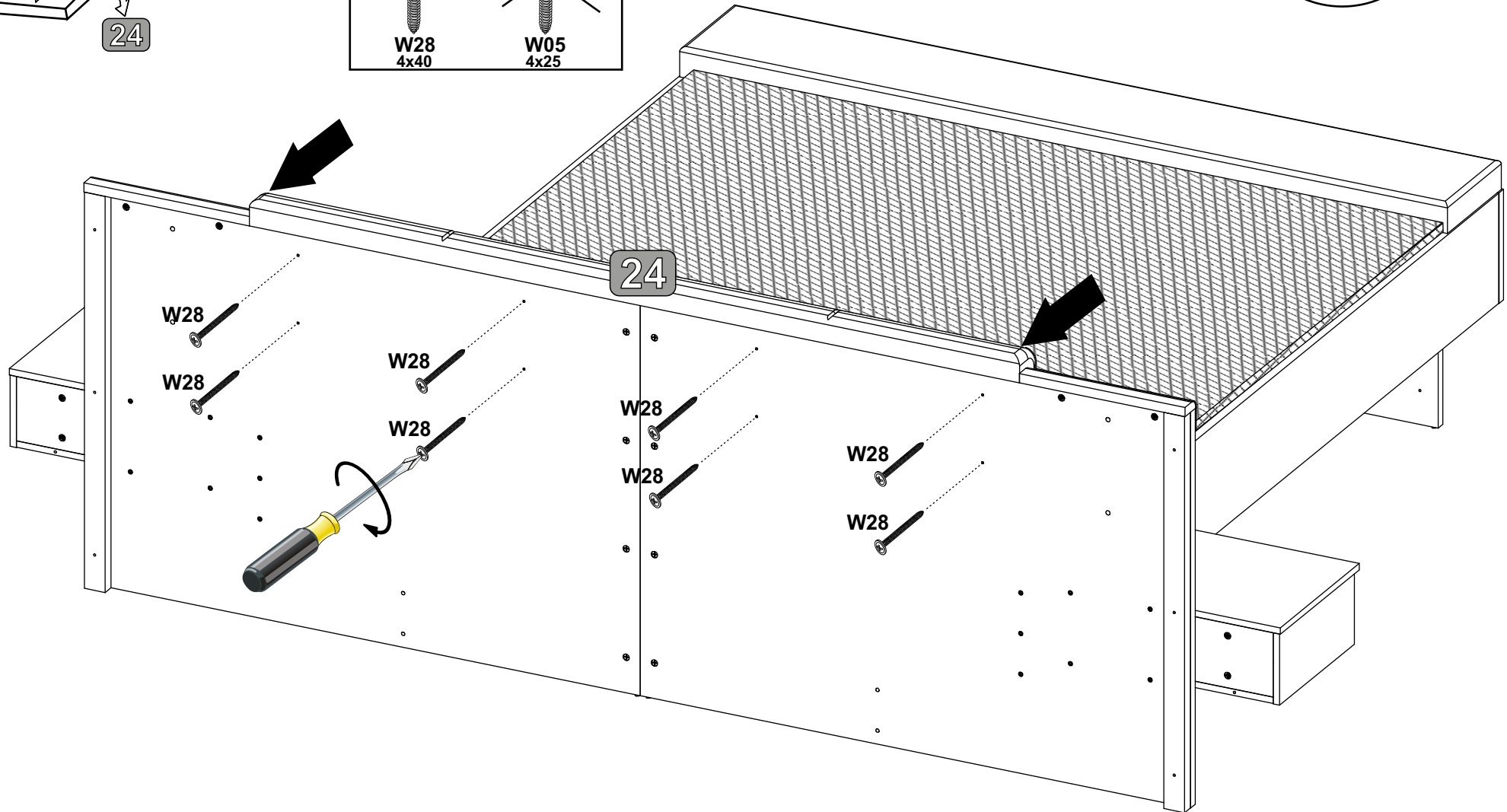
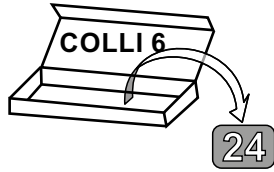
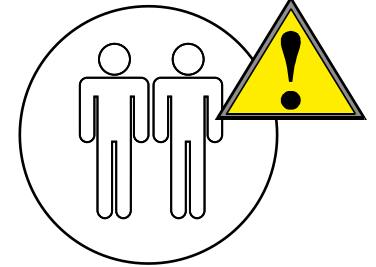
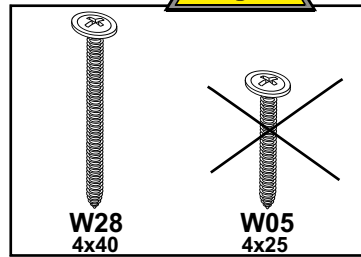
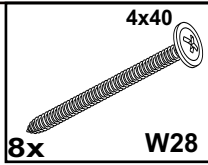
32



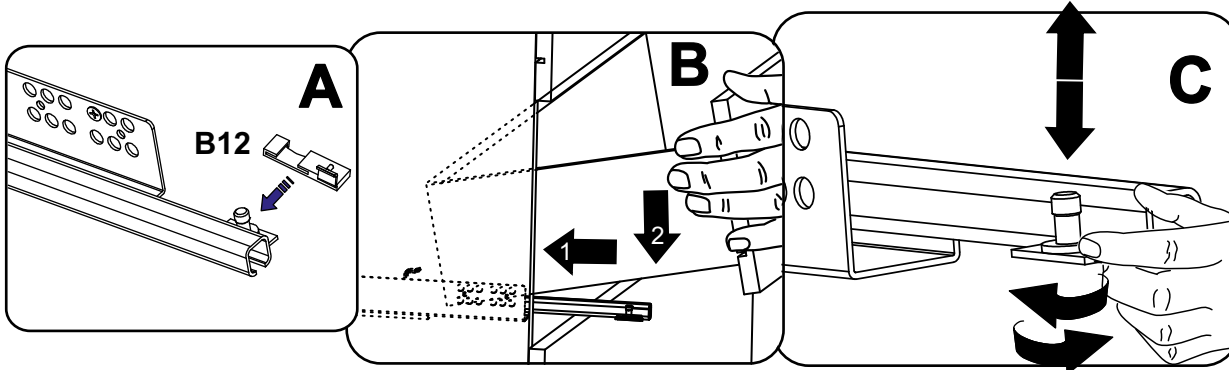
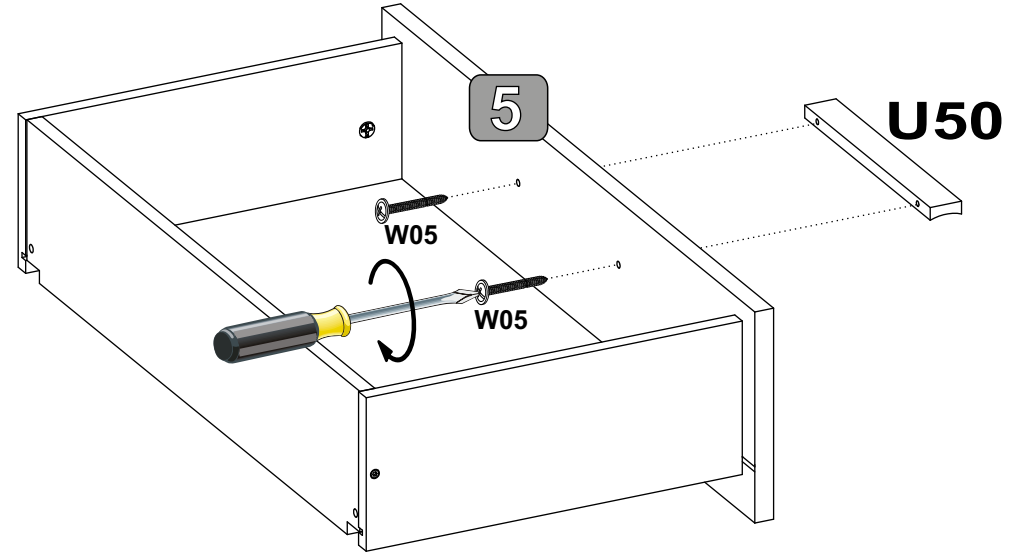
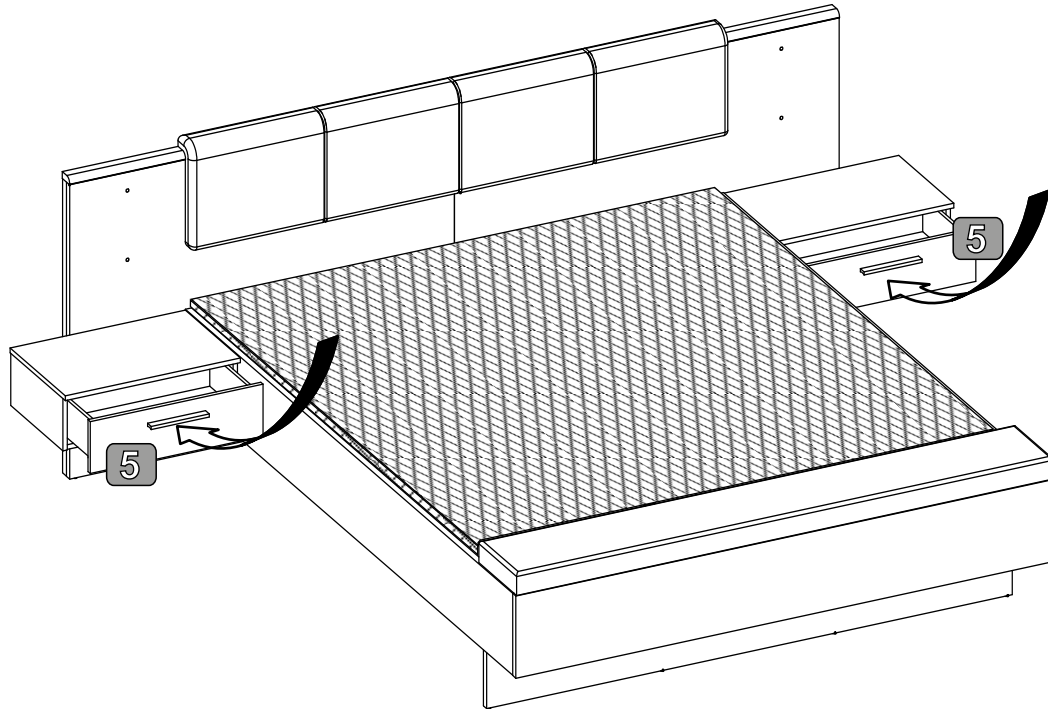
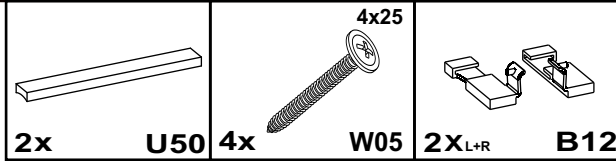
33



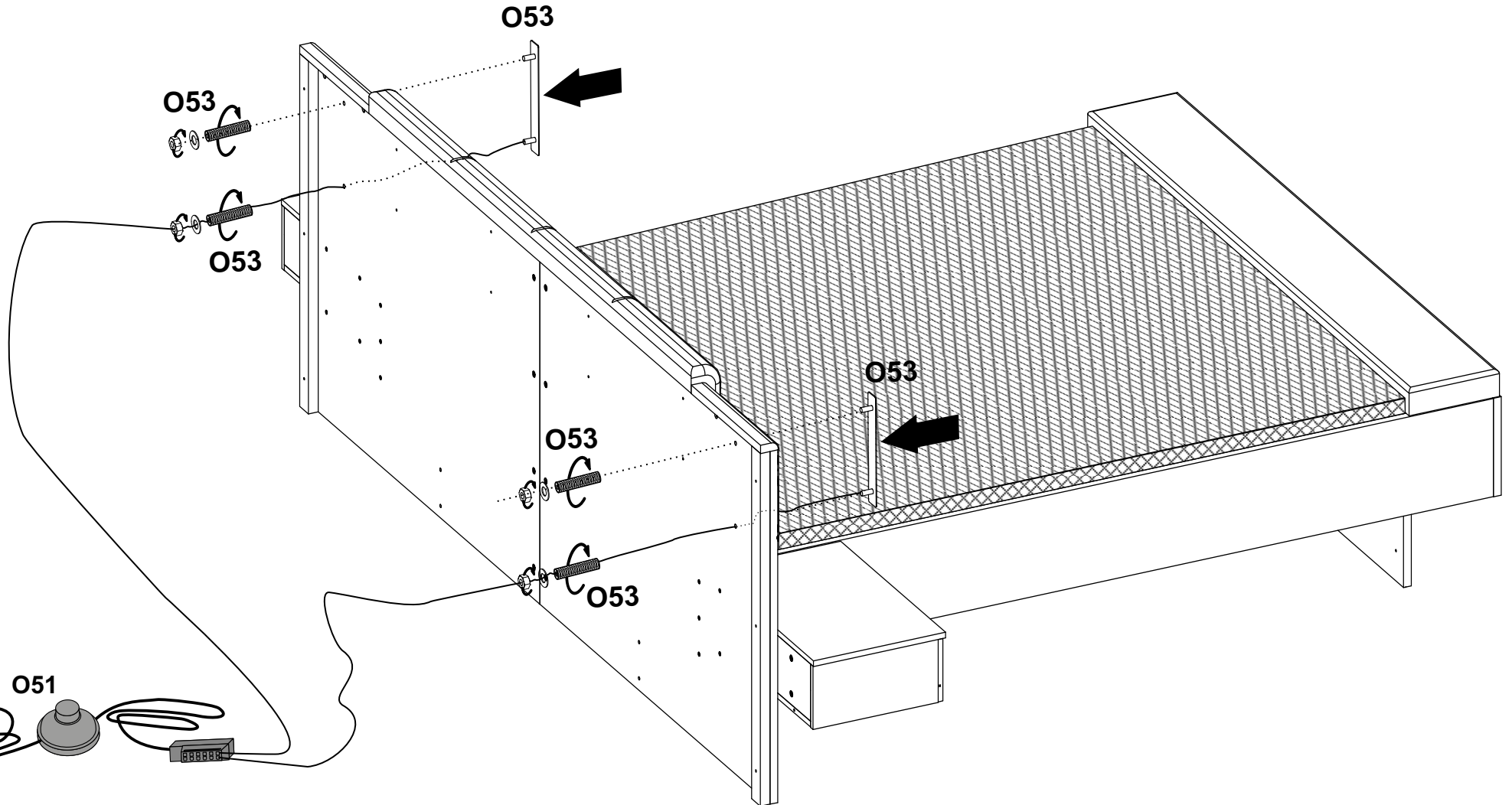
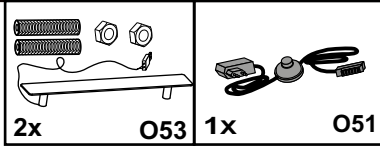
34



35



36



37

