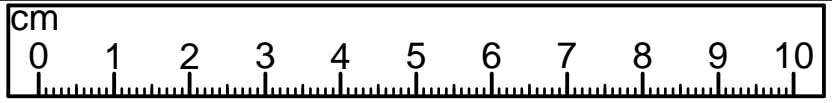
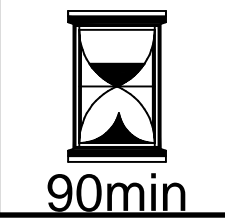
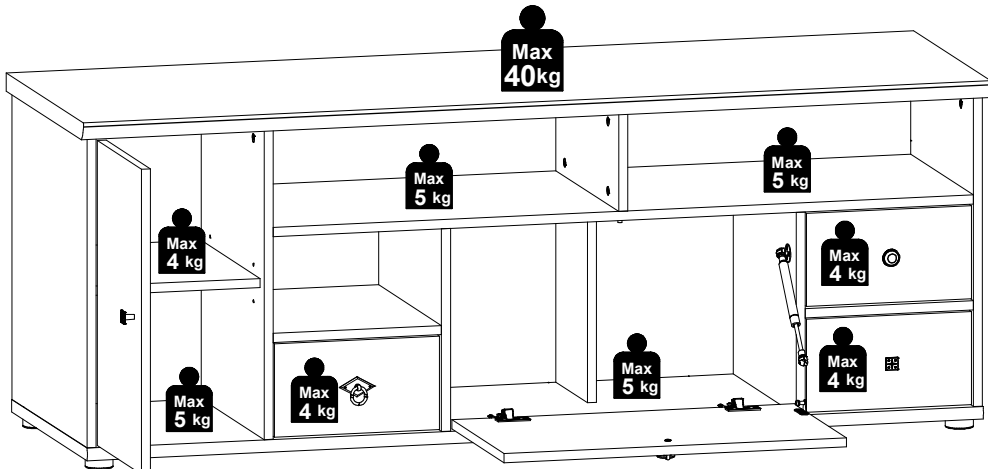
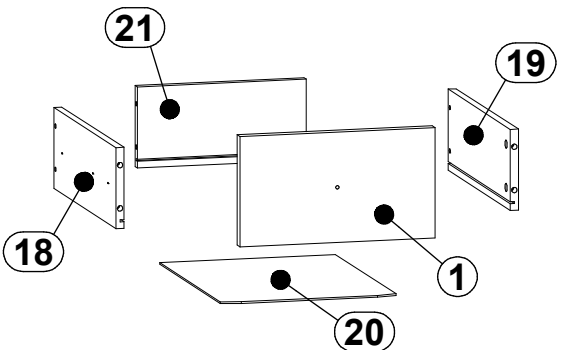
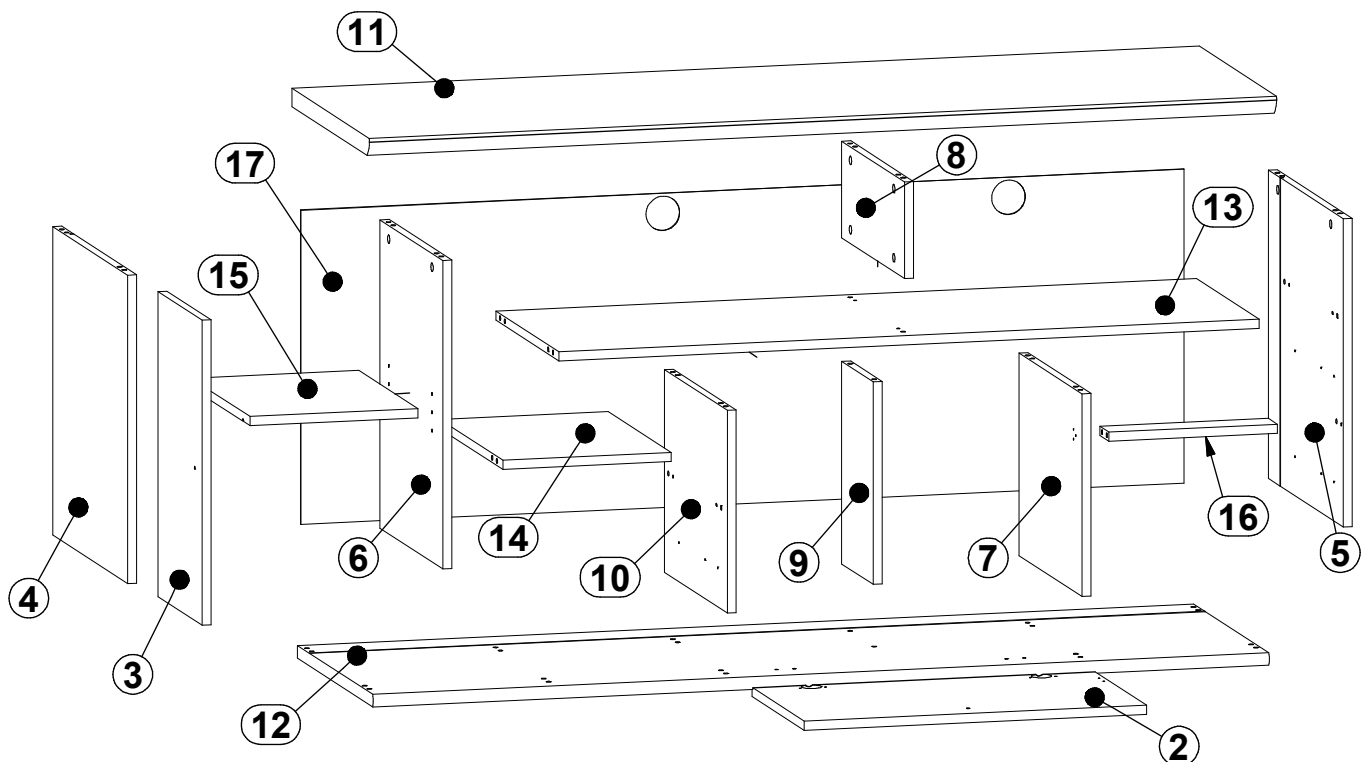


A	B	C (mm)		D
1	S248-0009	163	294	3/3
2	S248-0010	348	610	3/3
3	S248-0013	533	294	3/3
4	S248-1026	539	498	1/3
5	S248-1027	539	498	1/3
6	S248-1028	539	418	1/3
7	S248-1029	354	418	1/3
8	S248-1030	169	418	1/3
9	S248-1031	354	209	1/3
10	S248-1032	354	418	1/3
11	S248-2008	1617	516	2/3
12	S248-2009	1597	503	2/3
13	S248-3015	1248	418	1/3
14	S248-3016	300	418	1/3
15	S248-3019	299	393	1/3
16	S248-4003	300	60	1/3
17	S248-9006	1574	549	2/3
18	WSK3-505	350	120	1/3
19	WSK3-506	350	120	1/3
20	WSP-9095	265	348	1/3
21	WTR-5026	255	120	1/3



3x k36 a43	1x k16: f35 hamatec a101	3x d3 b35	1x b59	1x c445	2x c446	2x c447	4x Ø5x17 mm d1	1x Ø6.3x15 mm d4	10x Ø7x50 mm e1	36x Ø8x30 mm f1	1x Ø8x50 mm f6	12x Ø6.5x40 mm f25
5x M4x22 mm j30	7x k27	19x l1	16x l2	1x m56\1	1x m57\1	1x m57\3	13x Ø3.5x15 mm p51	36x Ø3.5x12mm p140	24x Ø15x12 mm #16 r1	12x Ø12x10.5 mm #12 r15	36x r42	12x Ø16 s2
1x S60	6x 350mm w152\1	6x 350mm w152\2	1x z1	1x Ø10x50 mm f35 1x 38x21x15\1.5 n14\2 1x Ø5x60 mm p17 2x Ø3.5x16 mm p38								

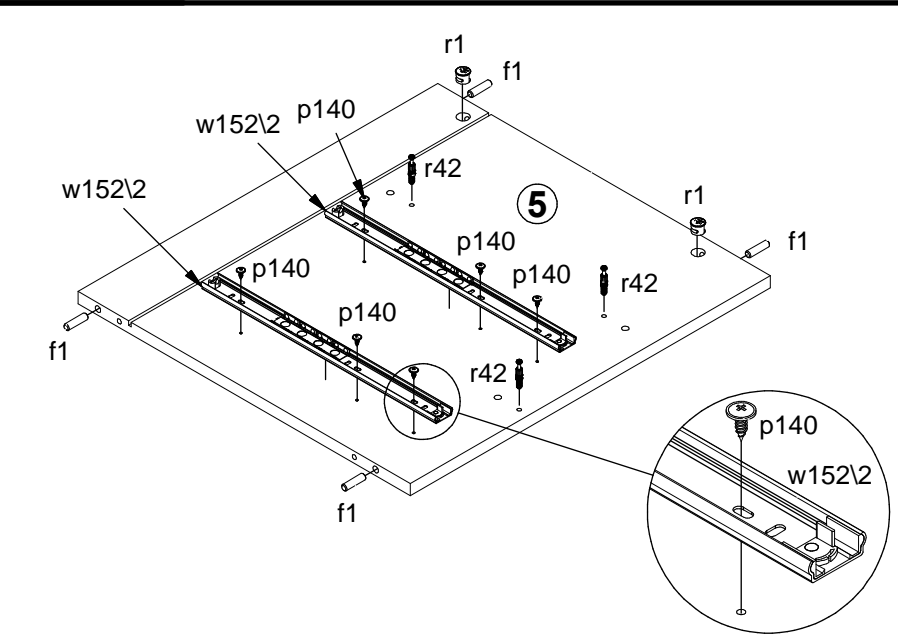
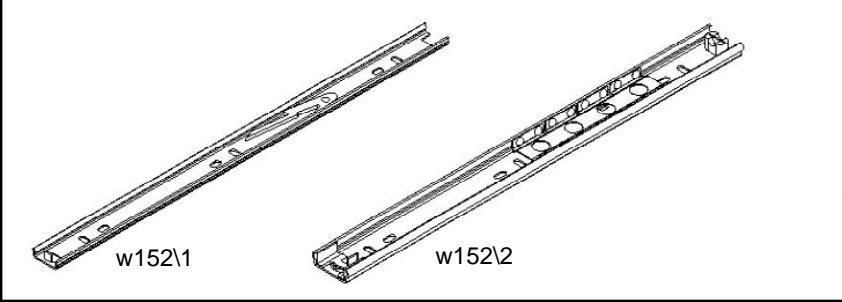
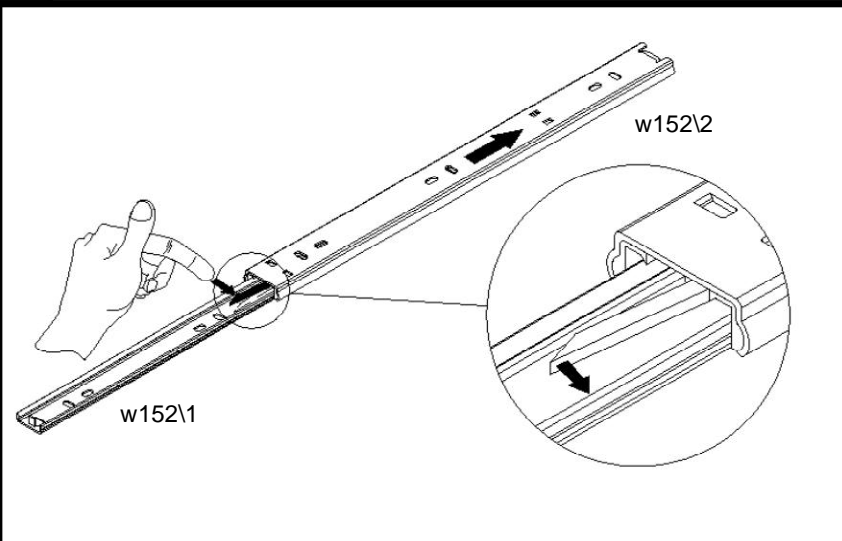




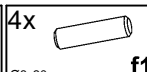

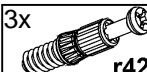
A

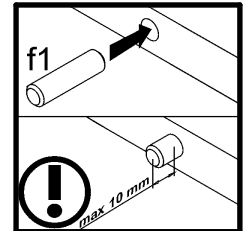
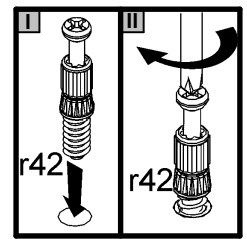
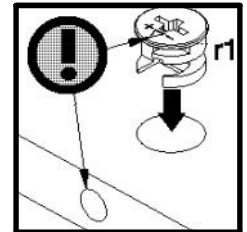
S248-RTV1D1K3S/6/16

10D0--33

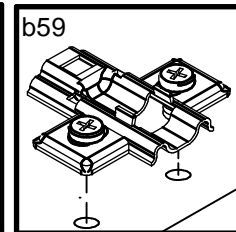
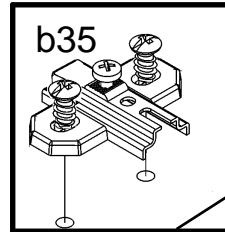
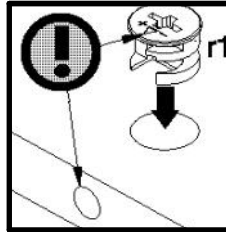
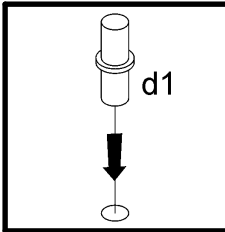
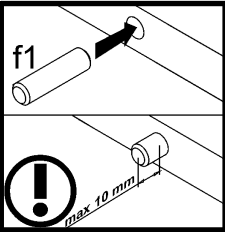
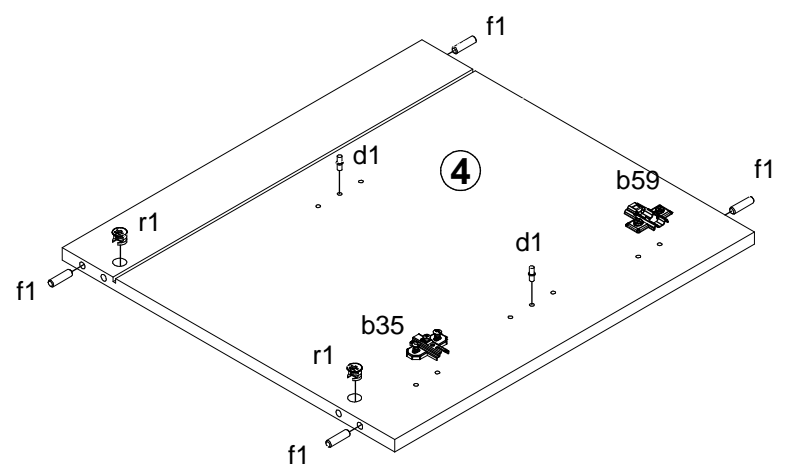
4 / 17

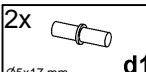
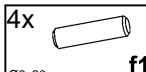
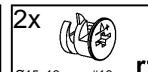




- 2x  w152\2
- 6x  p140
- 4x  f1
- 2x  r1
- 3x  r42



1 

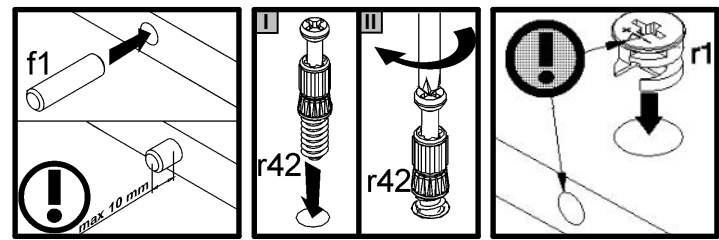
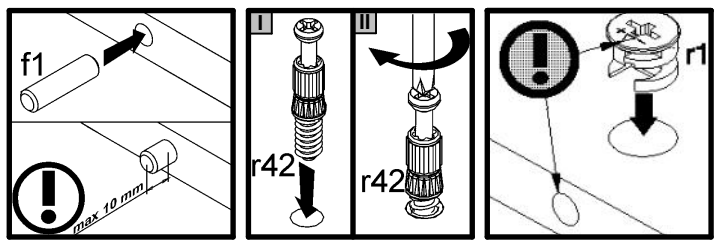
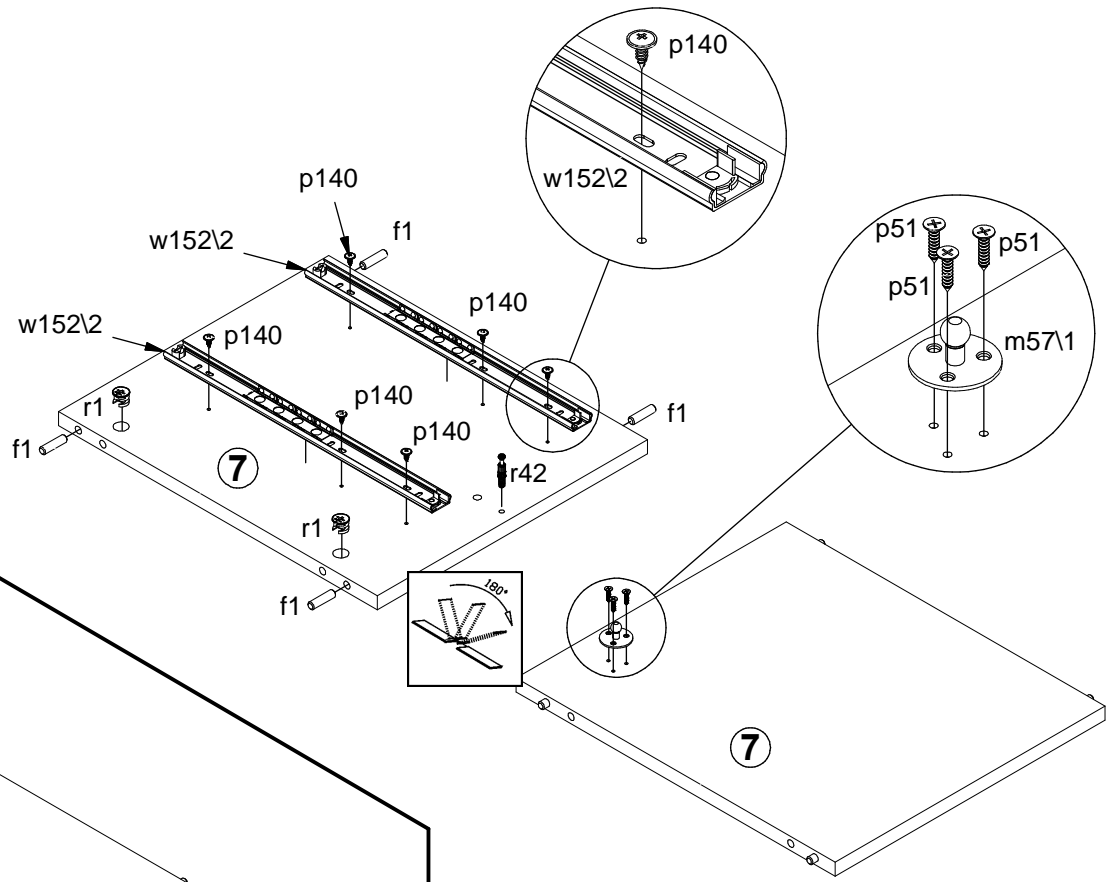
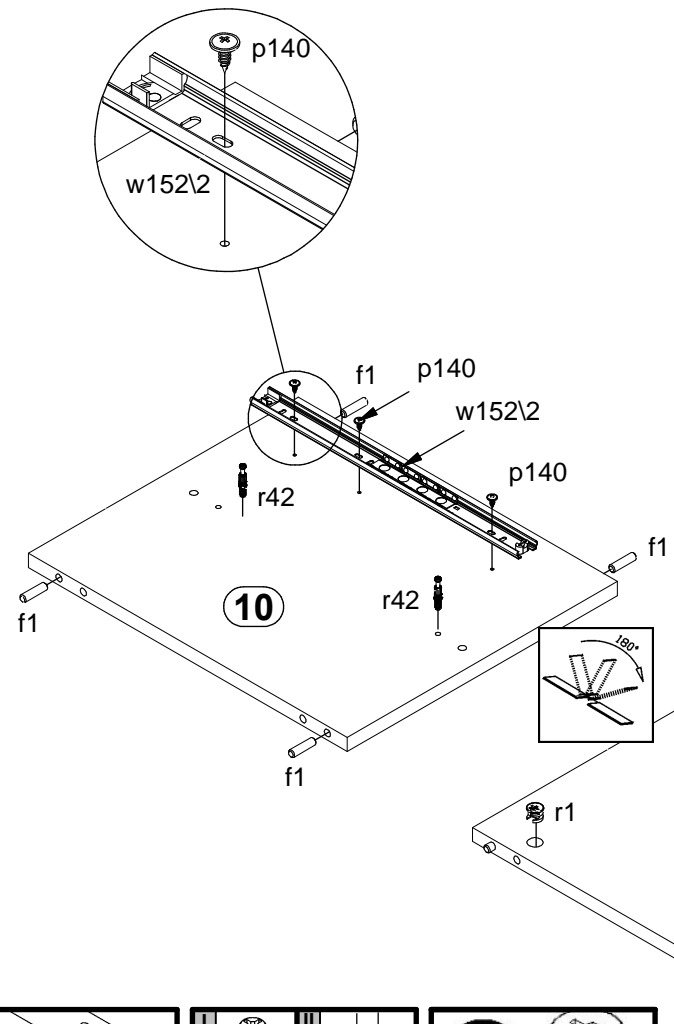


- 2x  d1
- 4x  f1
- 2x  r1
- 1x  b35
- 1x  b59

- 2x w152\2 350mm
- 3x p140 Ø3,5x12mm
- 2x r42
- 2x r1 Ø15x12 mm #16
- 4x f1 Ø8x30 mm

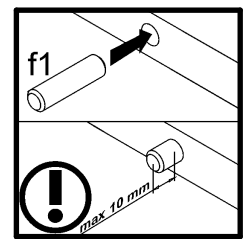
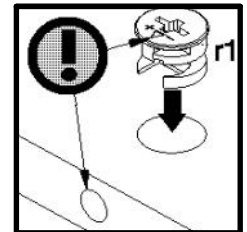
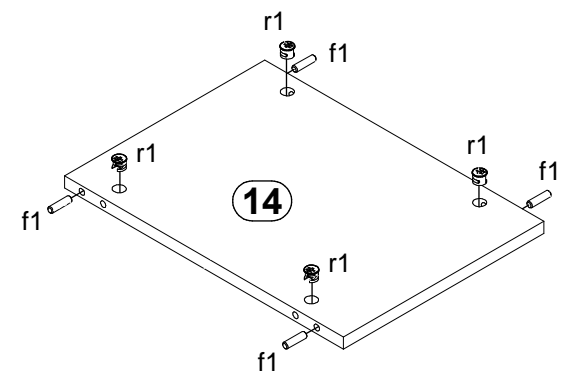
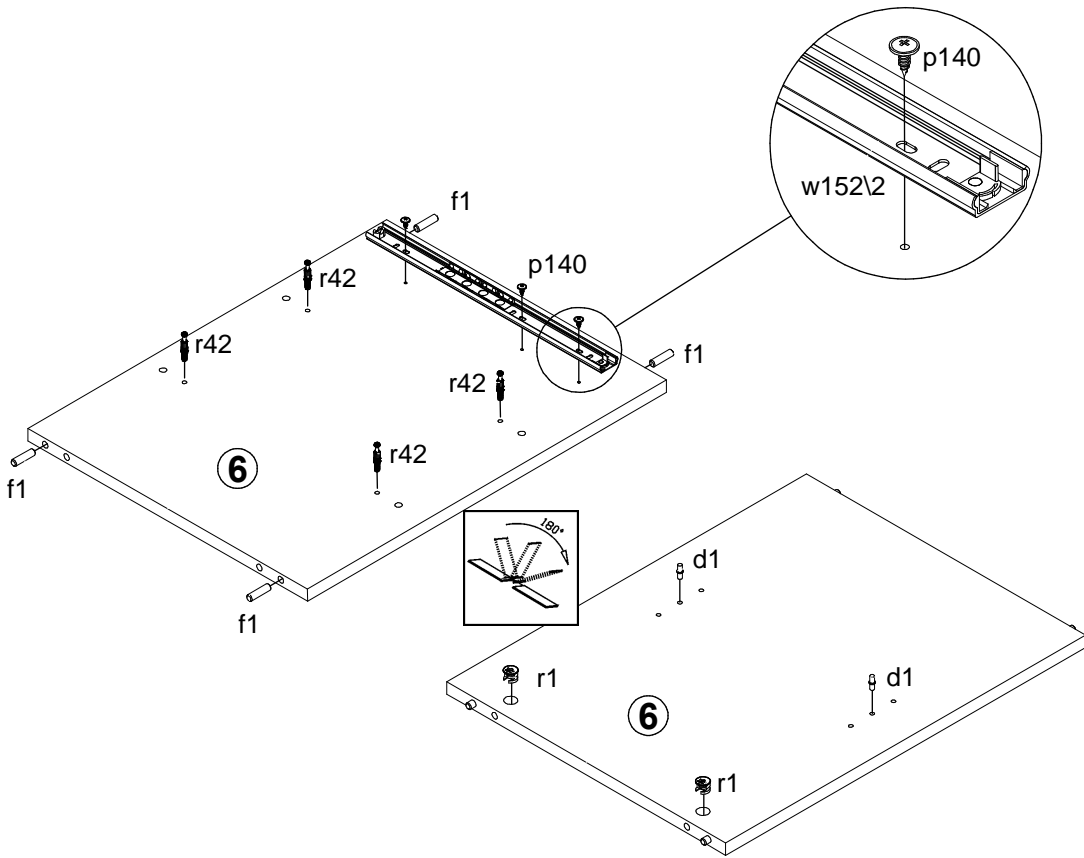
1

- 2x w152\2 350mm
- 6x p140 Ø3,5x12mm
- 1x r42
- 2x r1 Ø15x12 mm #16
- 4x f1 Ø8x30 mm
- 1x m57\1
- 3x p51 Ø3,5x15 mm

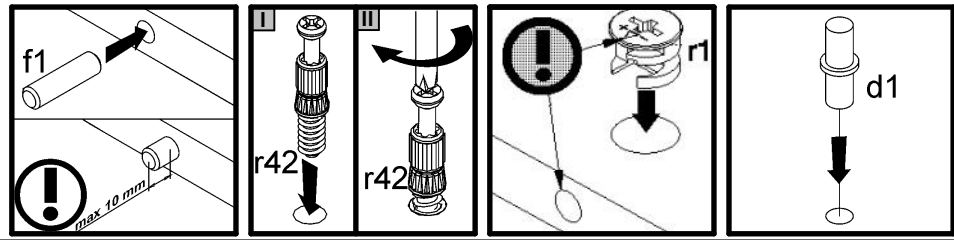
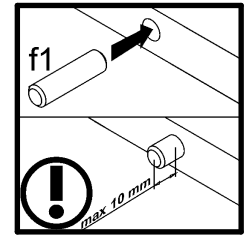
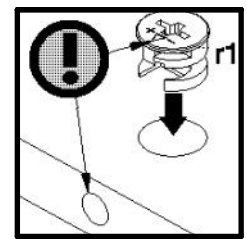
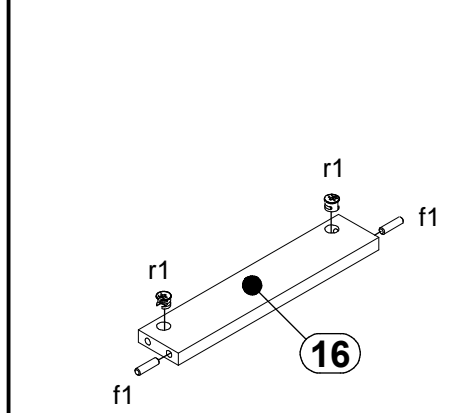


- 1x w152l2
- 3x p140
- 4x r42
- 2x r1
- 4x f1
- 2x d1

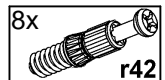
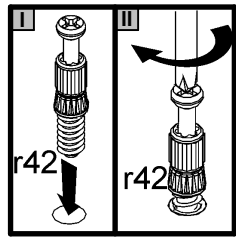
1



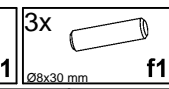
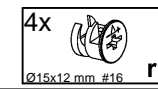
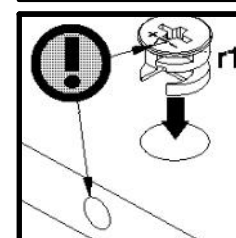
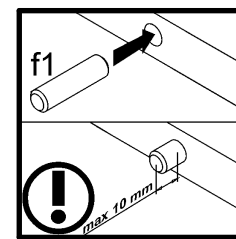
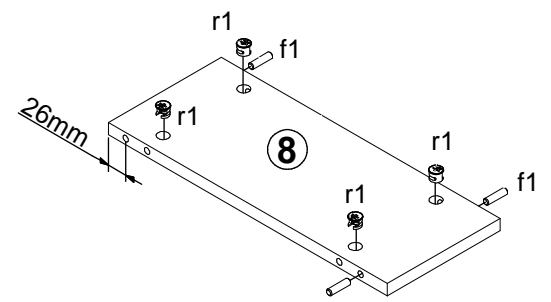
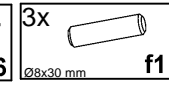
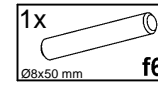
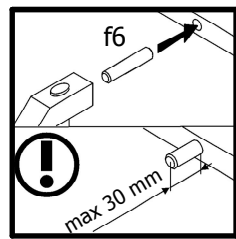
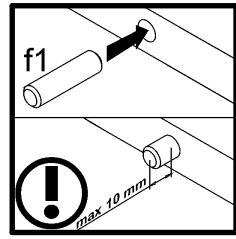
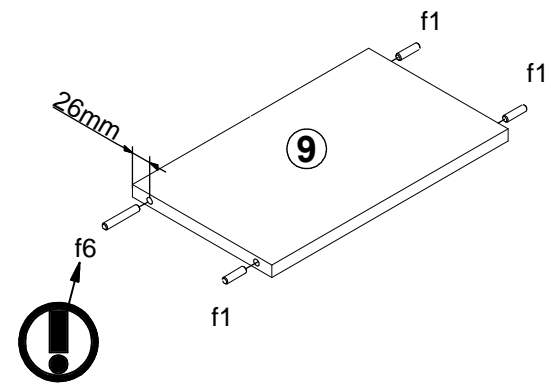
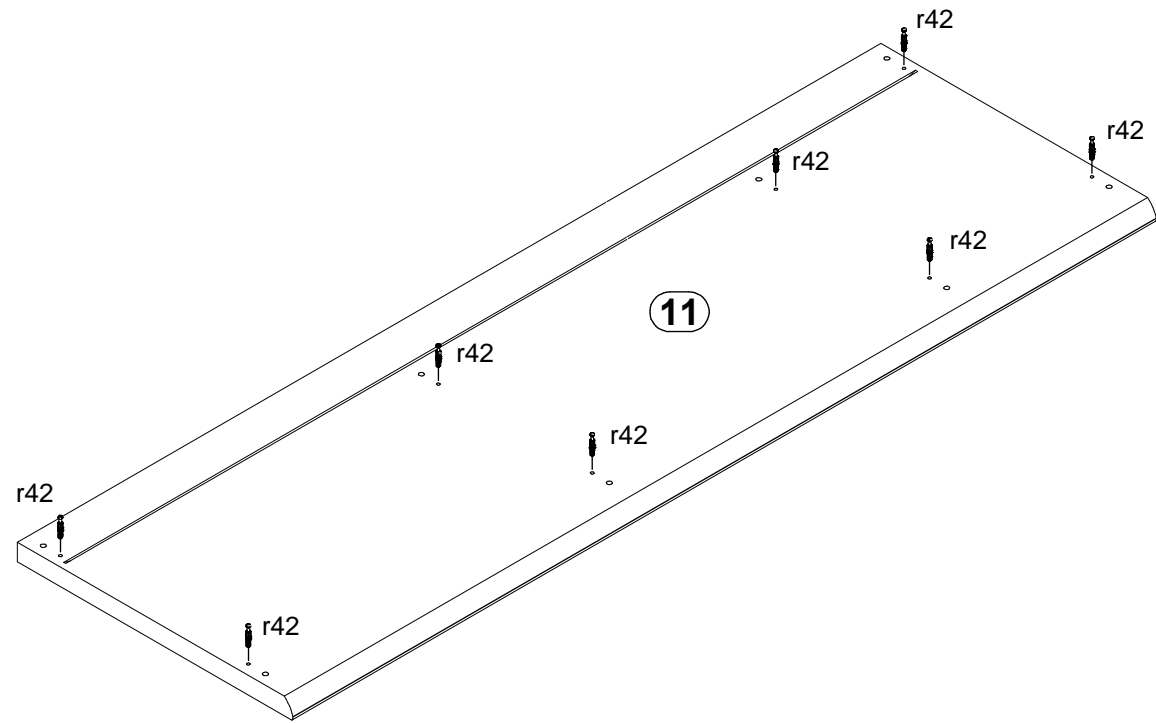
- 4x r1
- 4x f1



- 2x r1
- 2x f1



1



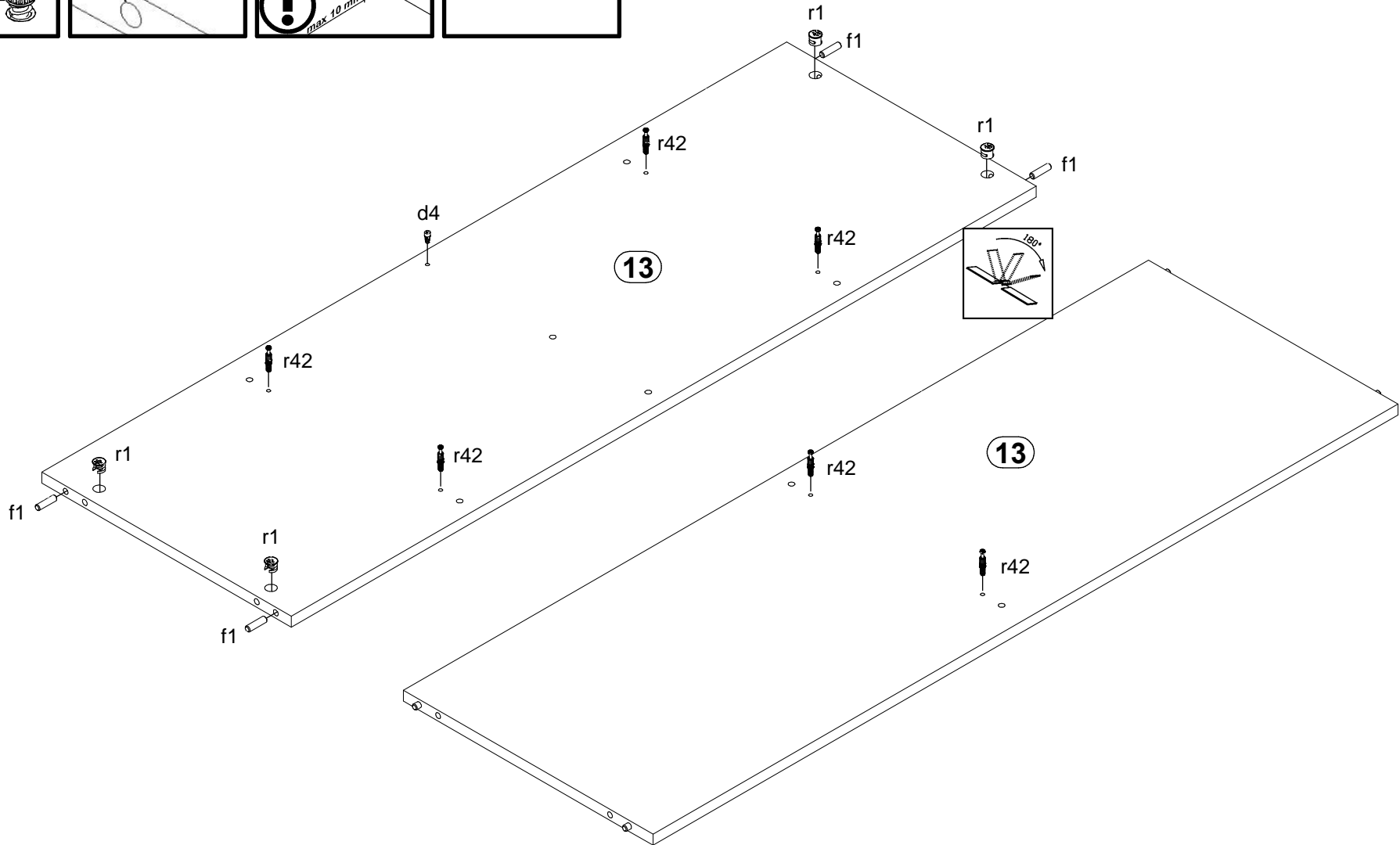
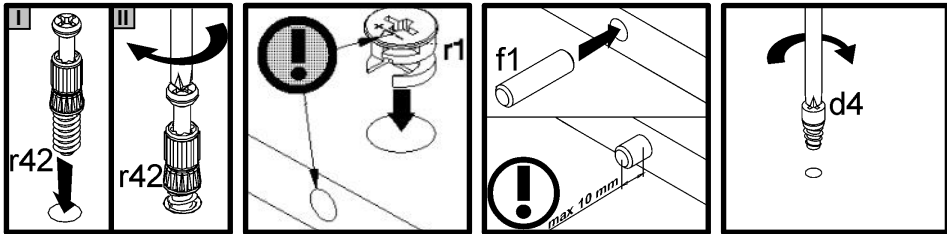
A

S248-RTV1D1K3S/6/16

10D0--33

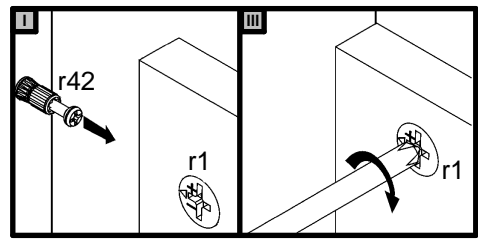
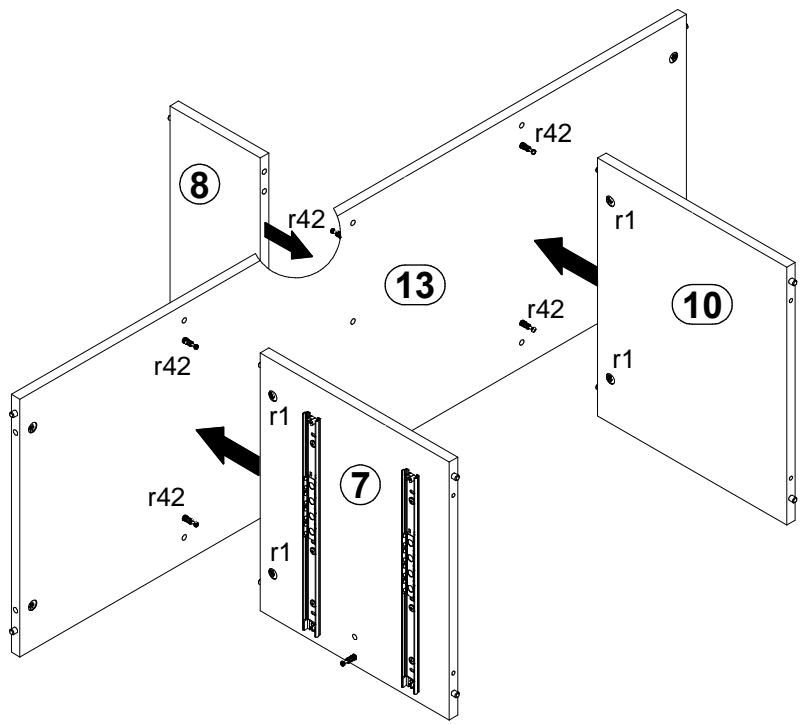
8 / 17

1

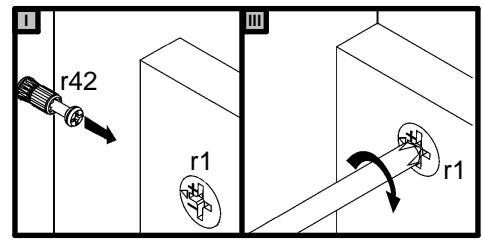
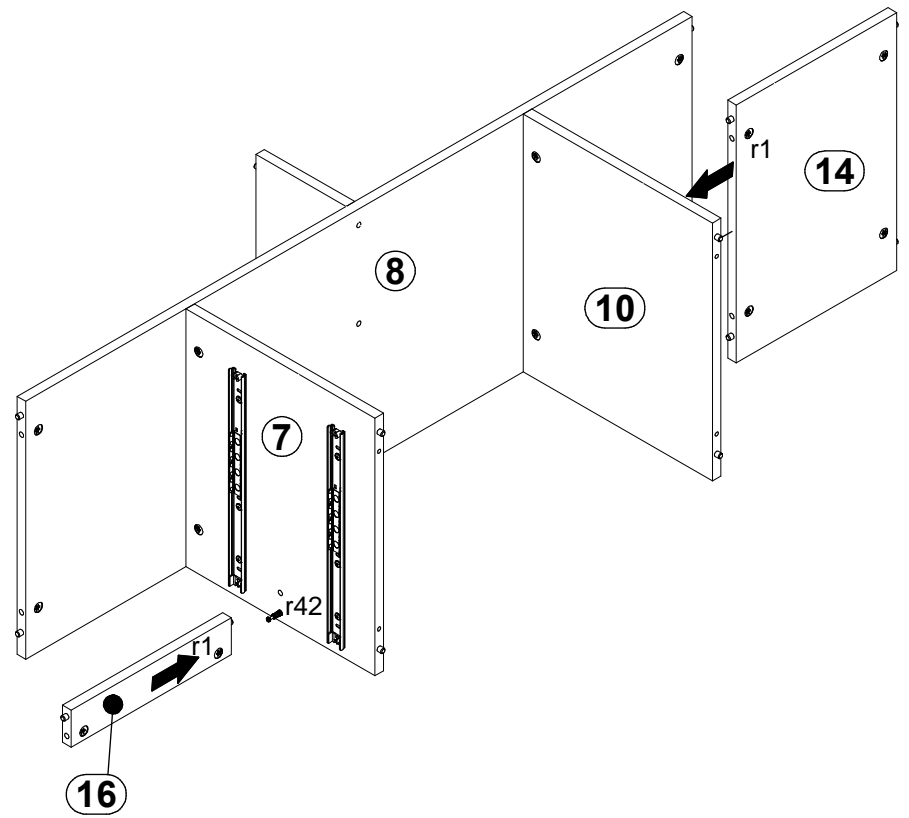


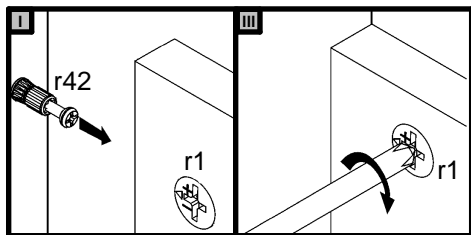
4x Ø8x30 mm f1	4x Ø15x12 mm #16 r1	6x r42	1x Ø6.3x15 mm d4
----------------------	---------------------------	-----------	------------------------

2 

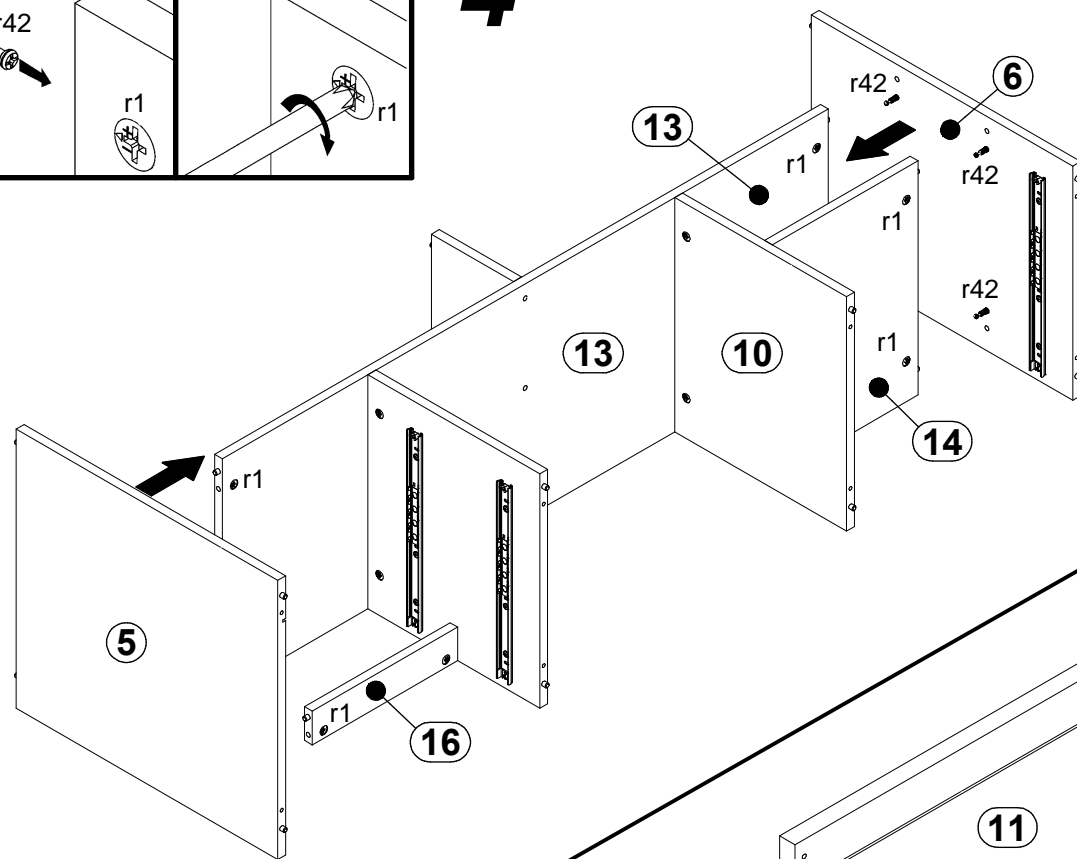


3

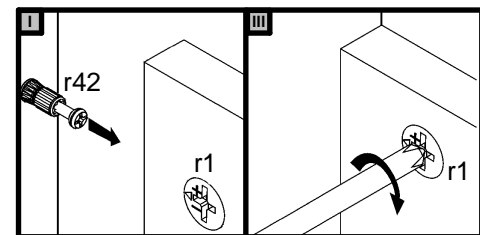
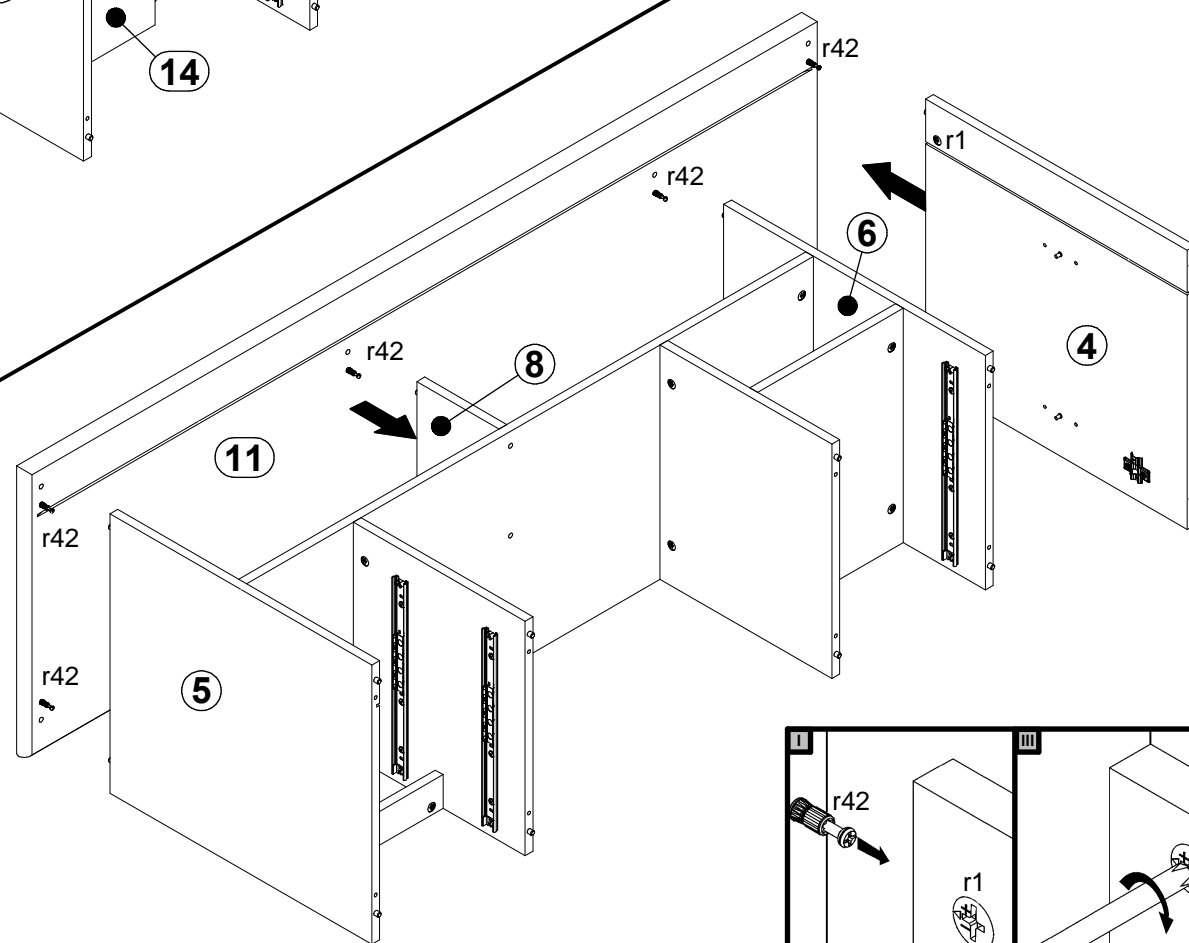




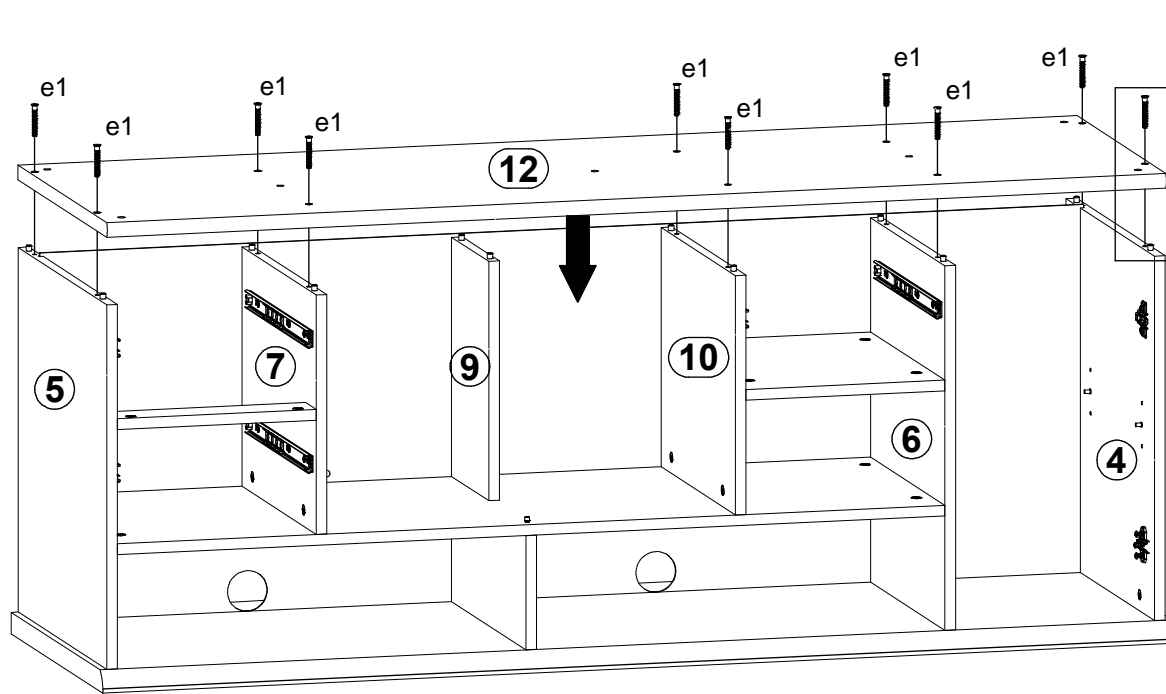
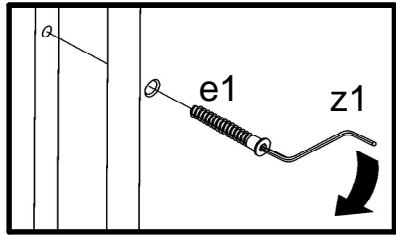
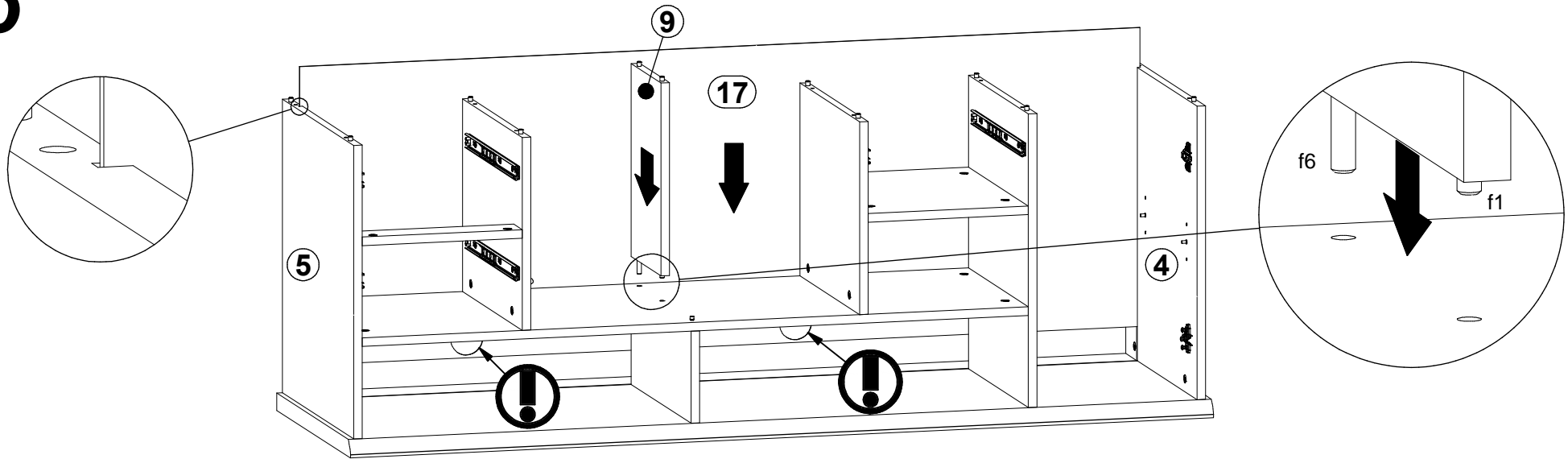
4



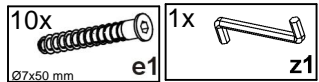
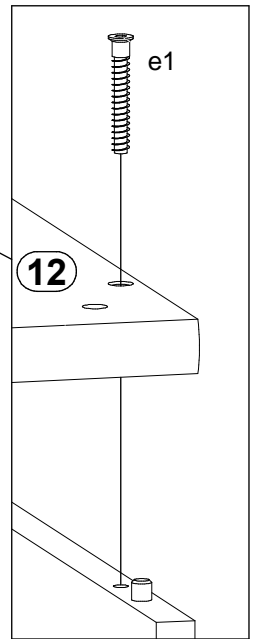
5

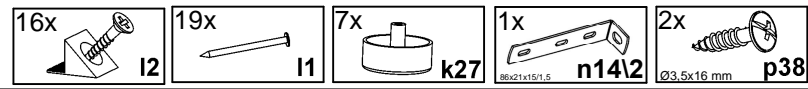
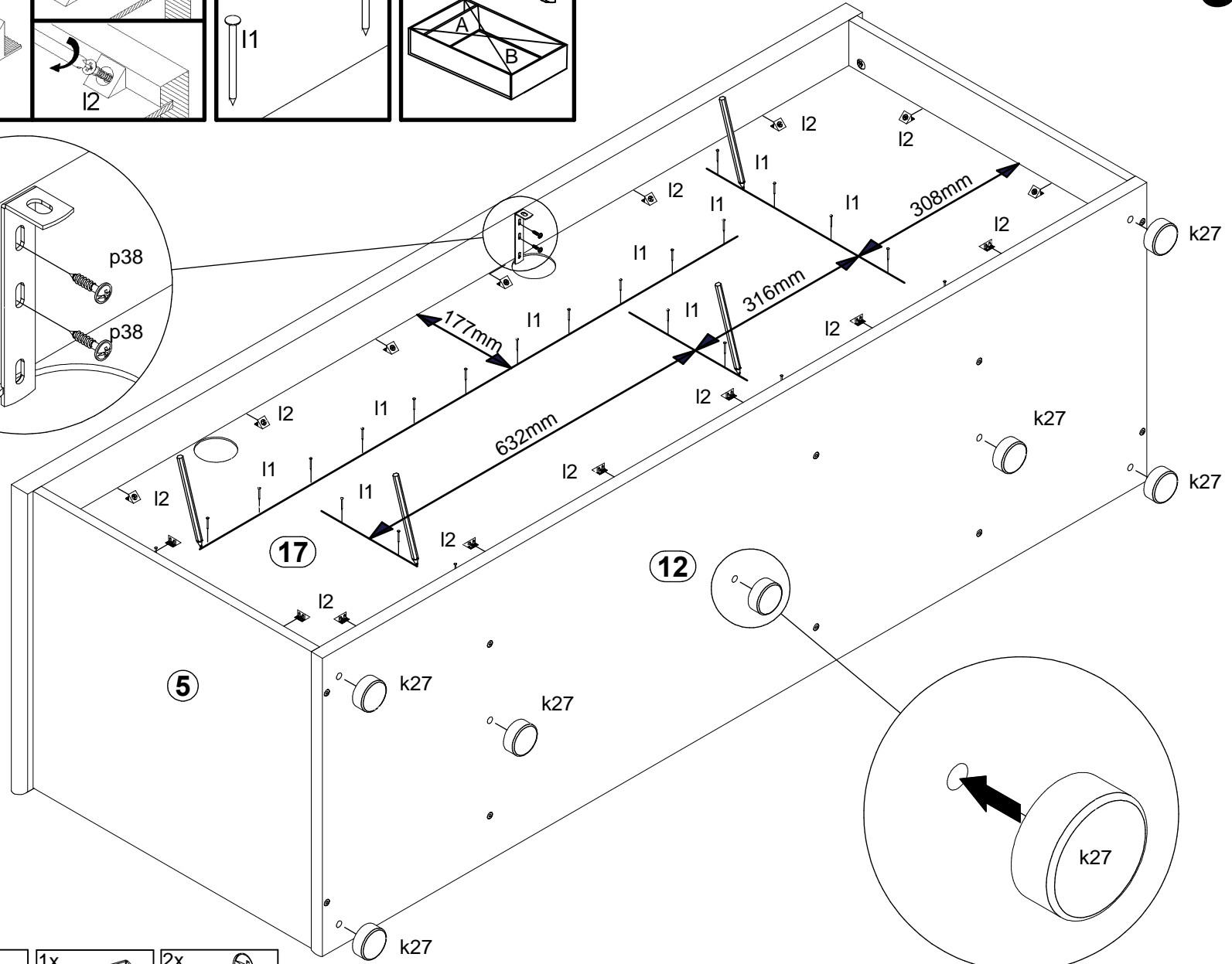
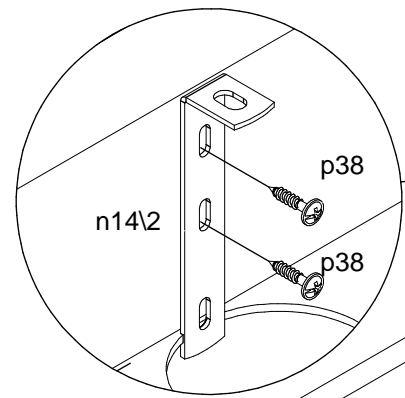
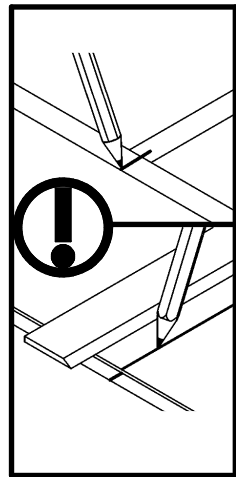
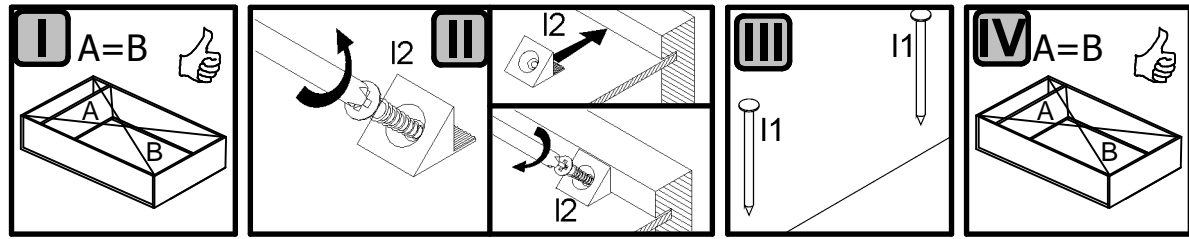


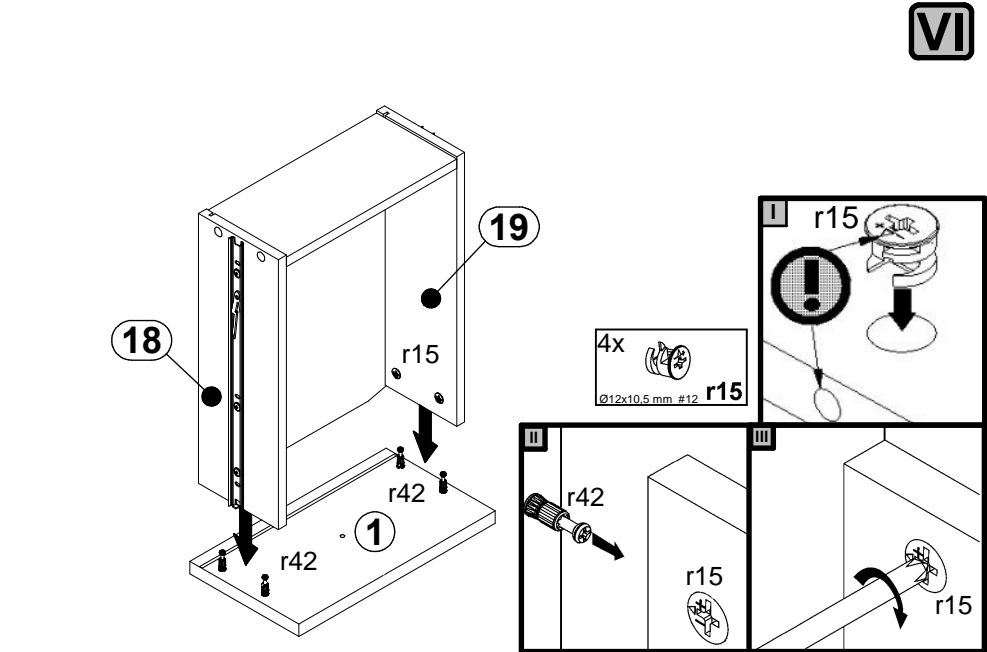
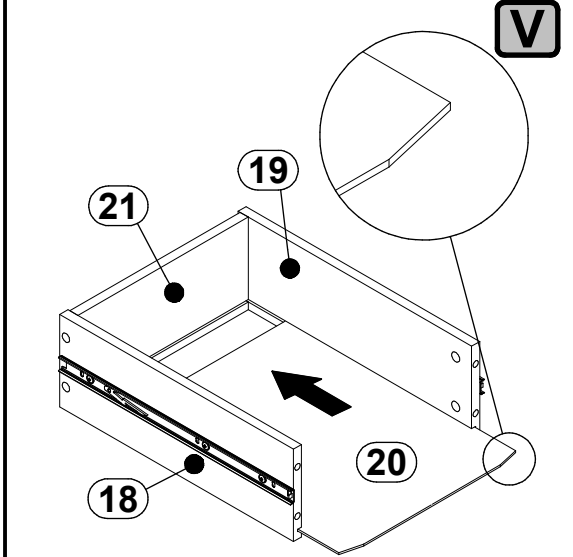
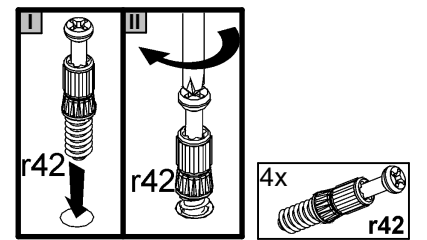
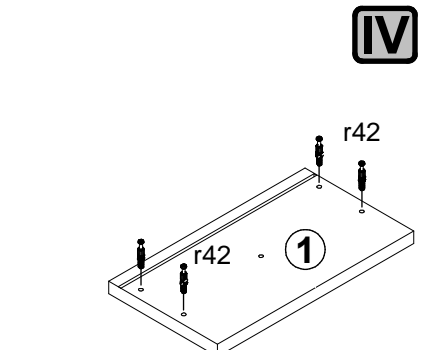
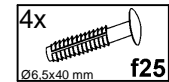
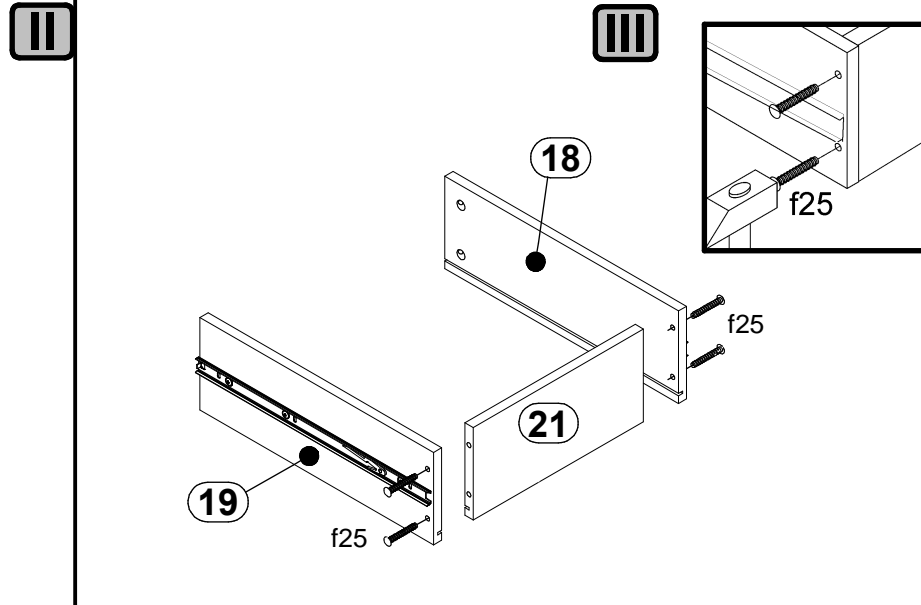
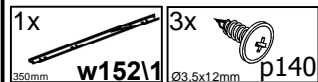
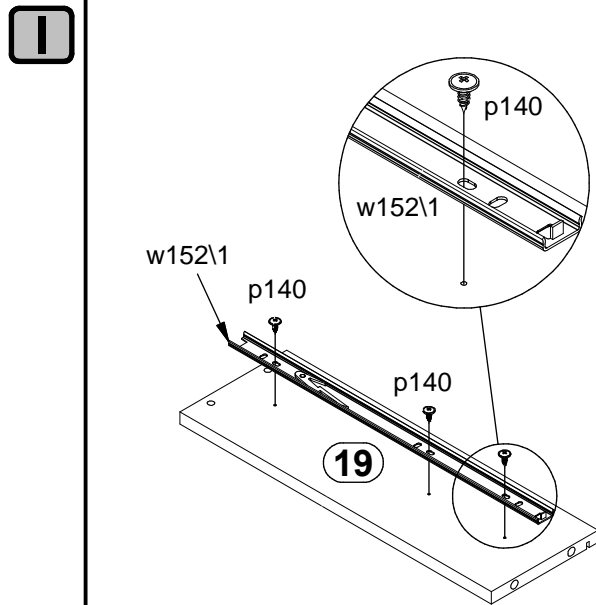
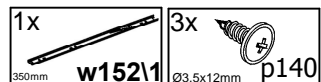
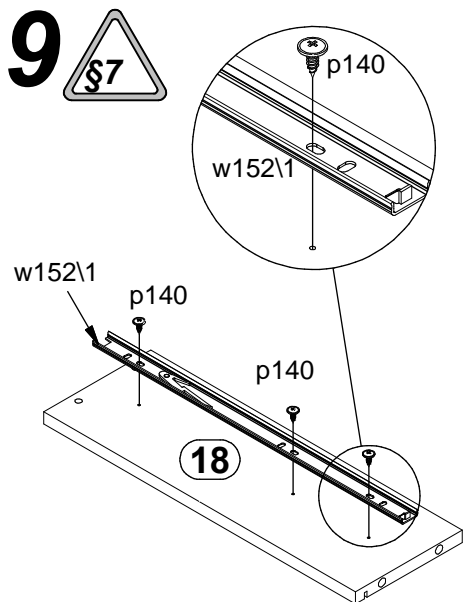
6



7

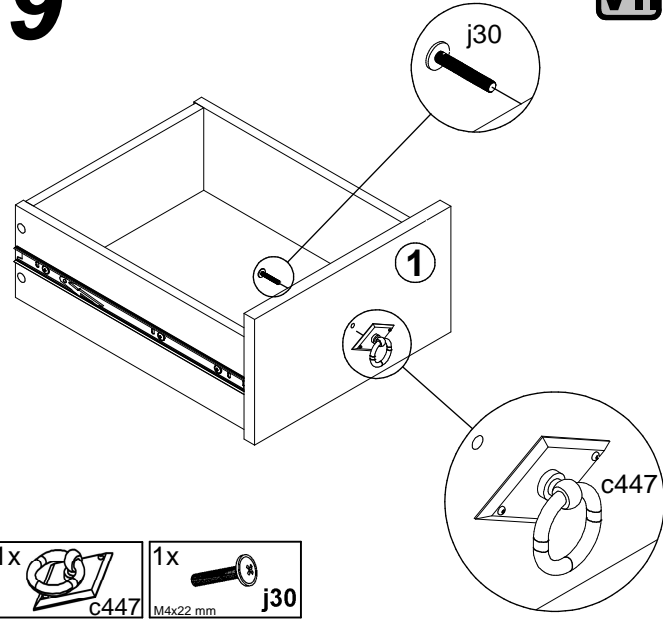




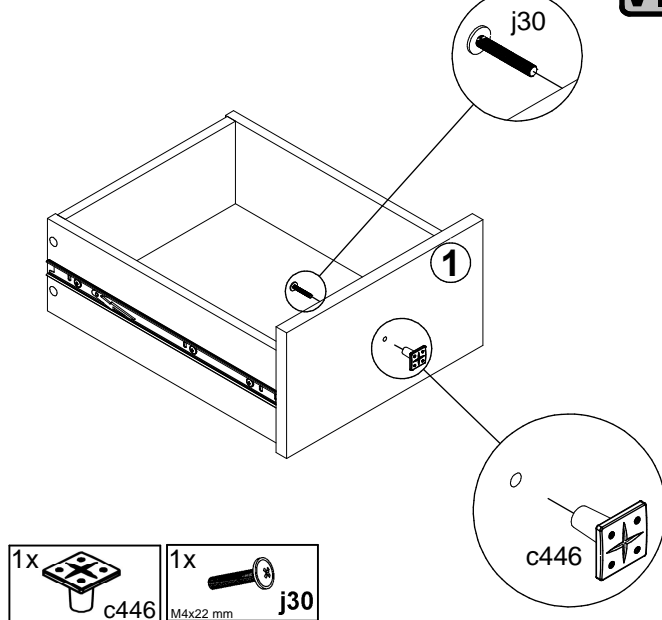


9

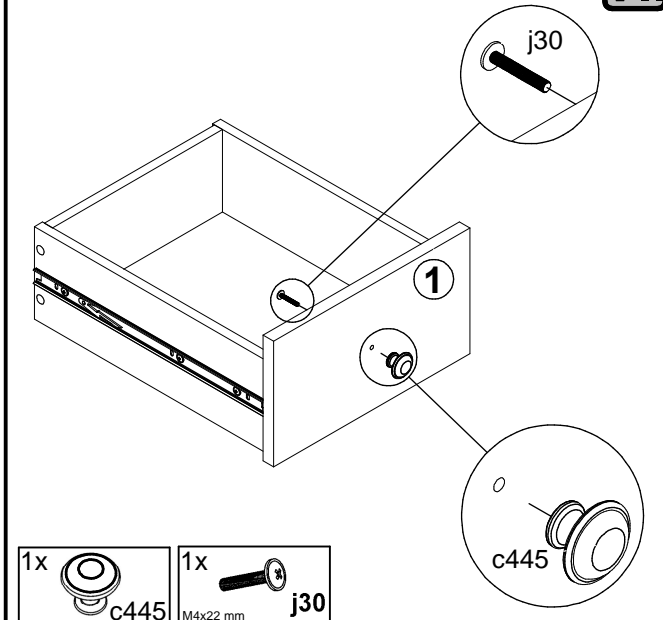
VII



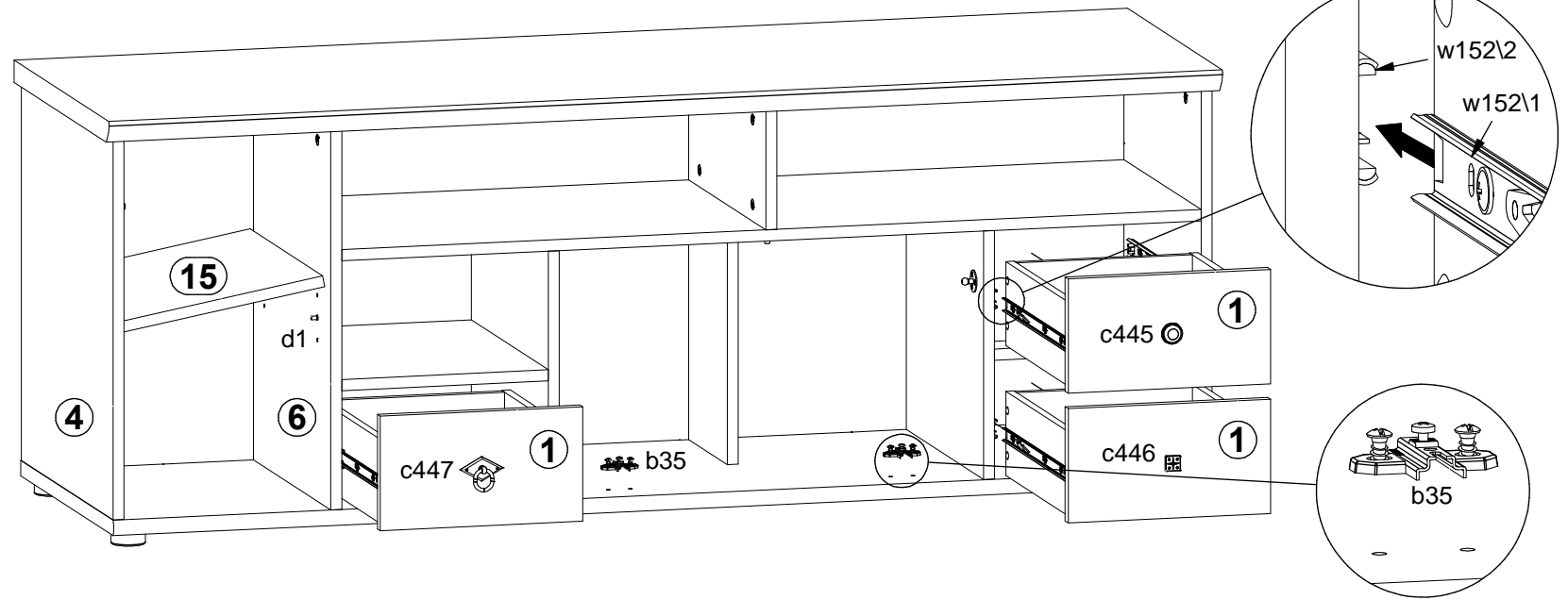
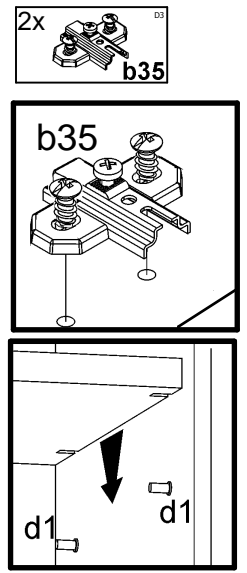
VII



VII



10



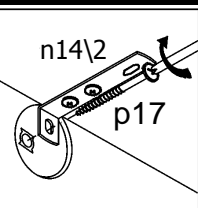
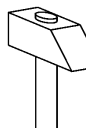
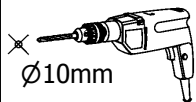
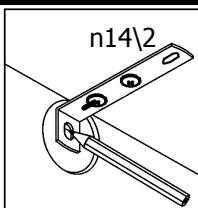
11

Assembly diagram for step 11. The main view shows a panel with three callouts: 1 (top left), 2 (top right), and 3 (bottom left). Callout 1 shows bracket a101 being attached to the panel with screws p51. Callout 2 shows bracket a43 being attached to the panel with screws p51. Callout 3 shows bracket a43 being attached to the panel with screws p51. Three detailed inset views show: 1) Bracket a101 being attached to the panel with screws p51. 2) Bracket a43 being attached to the panel with screws p51. 3) Bracket m57/3 being attached to the panel with screws p51.

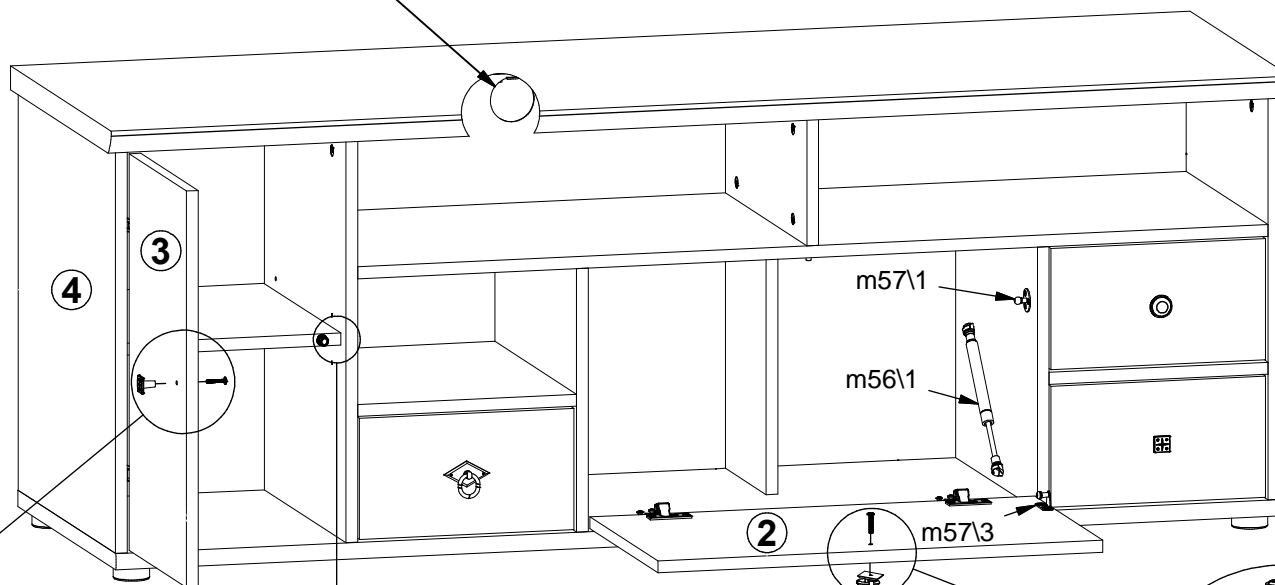
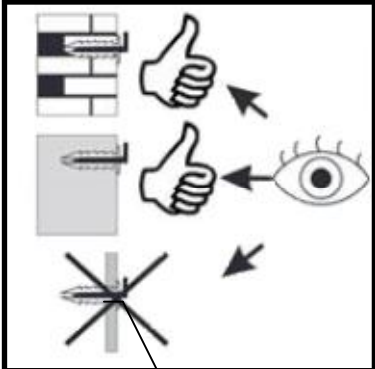
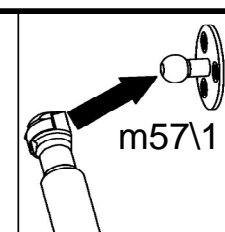
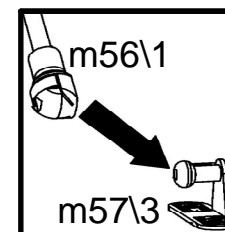
4x Ø3,5x15 mm p51	1x K16 a43	1x hamulec K16; Ø35 a101
6x Ø3,5x15 mm p51	2x K16 a43	1x m57/3

12

Assembly diagram for step 12. The main view shows a cabinet with five callouts: 2 (bottom center), 3 (left side), 4 (left side), 7 (right side), and 12 (bottom center). Callout 2 shows bracket a43 being attached to the cabinet with screws b59. Callout 3 shows bracket a101 being attached to the cabinet with screws b59. Callout 4 shows bracket a43 being attached to the cabinet with screws b59. Callout 7 shows bracket a101 being attached to the cabinet with screws b59. Callout 12 shows bracket a43 being attached to the cabinet with screws b59. Four detailed inset views show: 1) Bracket a101 being attached to the cabinet with screws b59. 2) Bracket a43 being attached to the cabinet with screws b59. 3) Bracket a101 being attached to the cabinet with screws b59. 4) Bracket a43 being attached to the cabinet with screws b59.



13



m57\1

m56\1

m57\3

4

3

2

