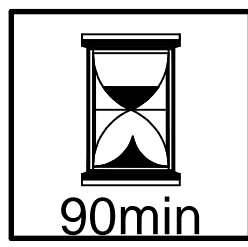


A	B	C (mm)		D
1	S246-1012	1328	351	2/2
2	S246-1013	1328	331	2/2
3	S246-2005	800	351	1/2
4	S246-2011	800	351	1/2
5	S246-3004	326	331	2/2
6	S246-3005	425	331	2/2
7	S246-3006	325	321	2/2
8	S246-3007	424	321	1/2
9	S246-3008	425	331	1/2
10	S246-5501	362	226	1/2
11	S246-5552	362	421	1/2
12	S246-7003	184	201	2/2
13	S246-7015	1328	150	2/2
14	S246-7016	842	201	2/2
15	S246-7301	218	218	2/2
16	S246-7802	1356	346	2/2
17	S246-7803	197	446	1/2
18	S246-7804	857	446	1/2
19	S246-9008	805	438	1/2
20	S246-9010	1338	339	2/2
21	S246-9011	533	438	1/2



1x a44	5x a102	1x b35	5x b59	2x c347	16x d1 Ø5x17 mm	6x e47 Ø5x16 mm	20x f1 Ø8x30 mm	7x f6 Ø8x50 mm	3x f35 Ø10x50 mm	4x j8 M4x25 mm	4x l1	16x l2
12x n108 20x13x3,51	1x n165L	2x n165LP	14x o54 Ø5,3/Ø8,3x4,8 mm	1x o60\3	1x o60\5	6x p21 Ø4x30 mm	12x p38 Ø3,5x16 mm	12x p51 Ø3,5x15 mm	12x p55 Ø2,9x16 mm	3x p127 Ø6x60 mm	36x r1 Ø15x12 mm #16	8x r10
20x r42	36x s2 Ø16											

1

6x r42

6x r42

p123
o60/5

I

r10 r1

II

r10 r1

2x f1
2x f6
4x r1
2x r10
1x p123
1x o60/5

2x f1
4x r1

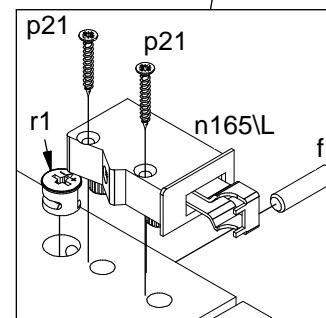
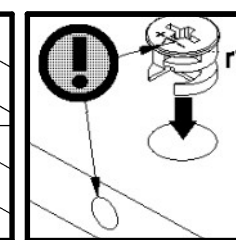
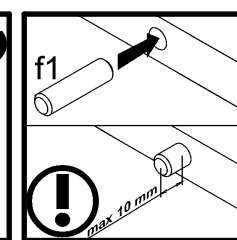
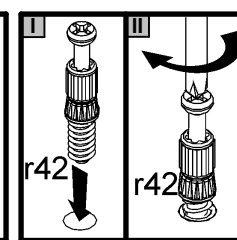
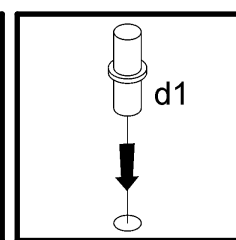
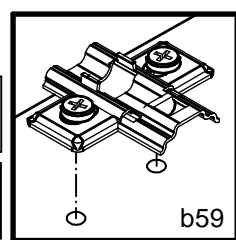
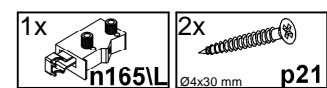
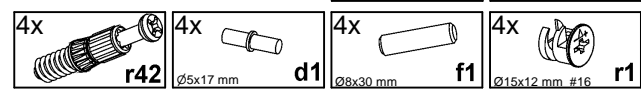
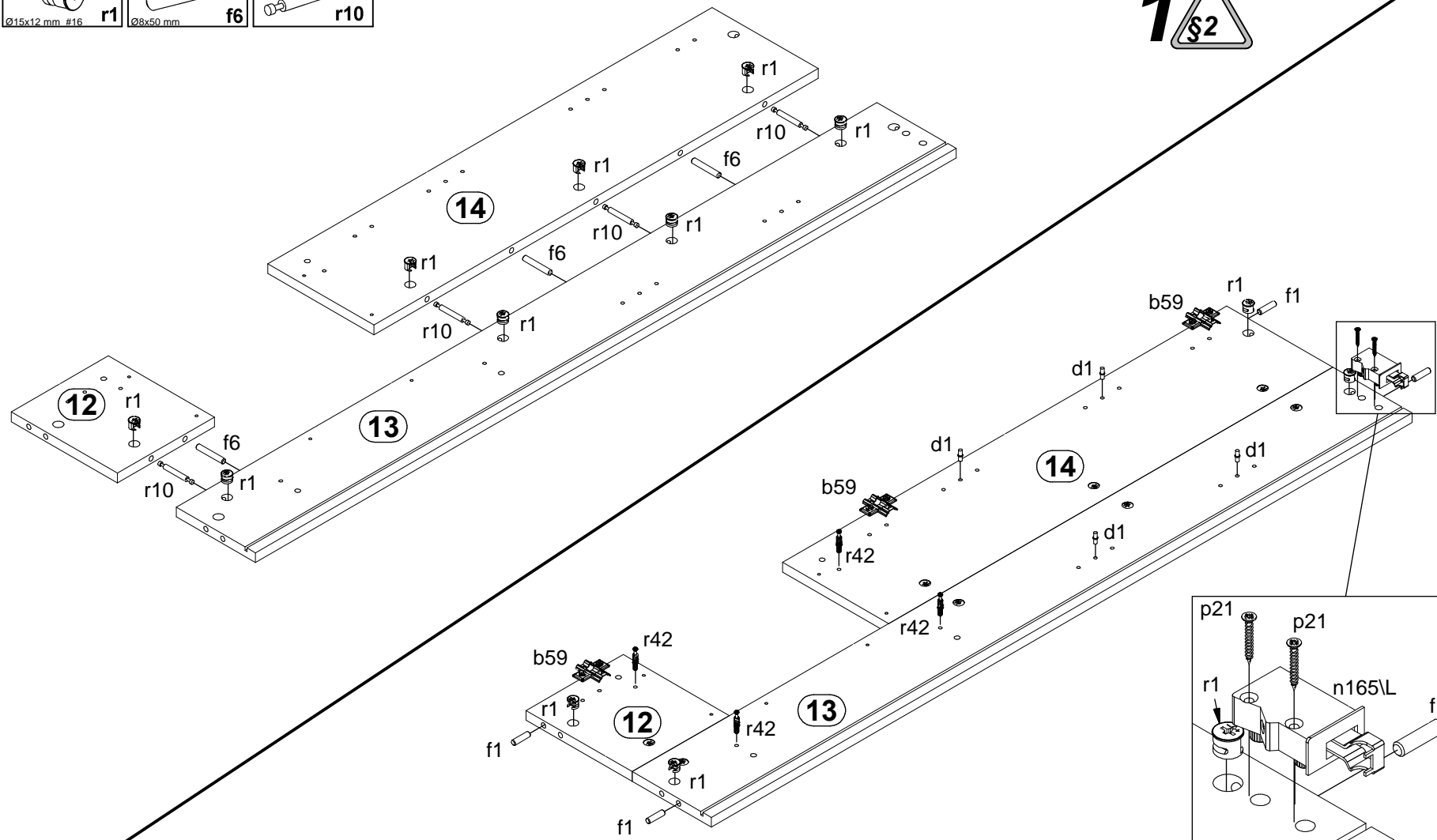
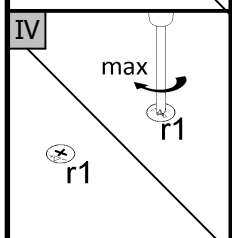
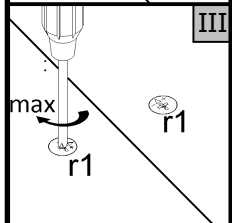
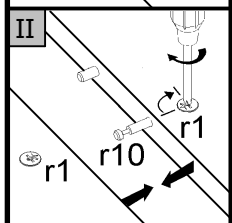
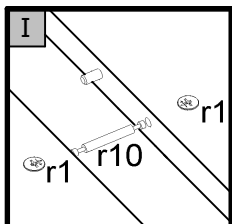
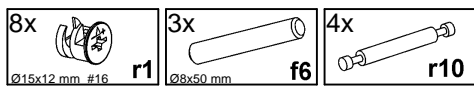
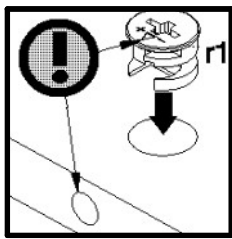
I

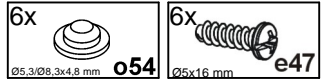
r10 r1

II

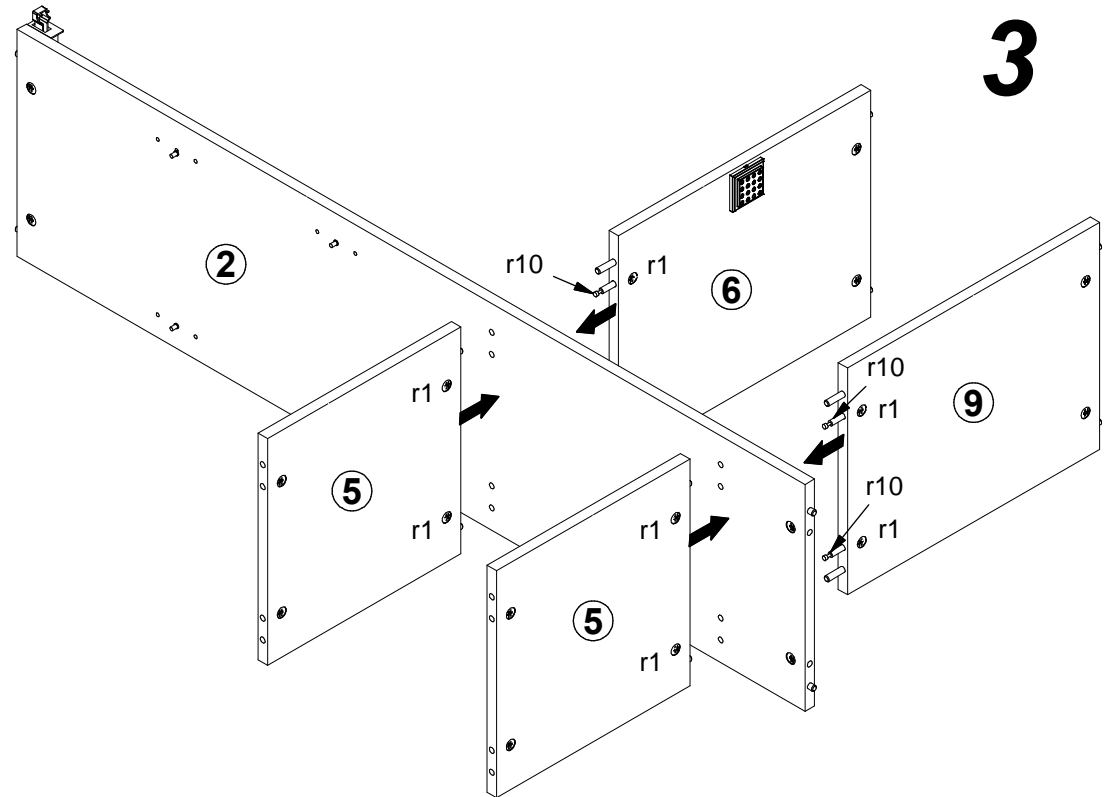
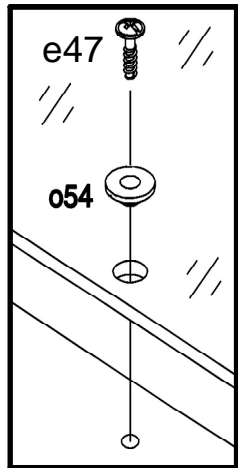
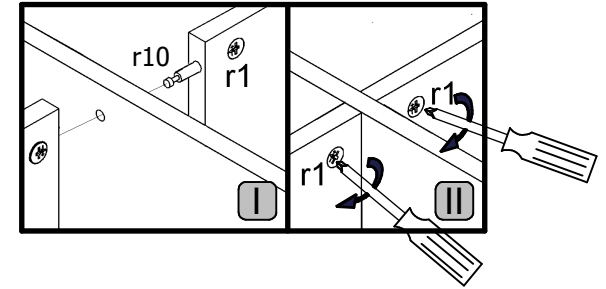
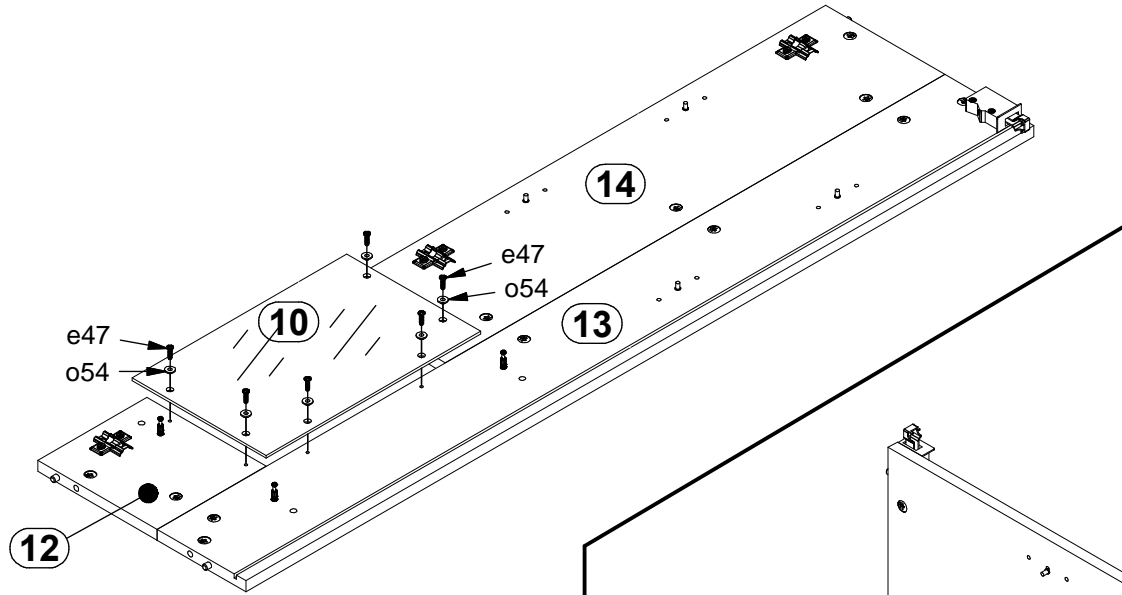
r10 r1

2x f1
2x f6
4x r1
2x r10

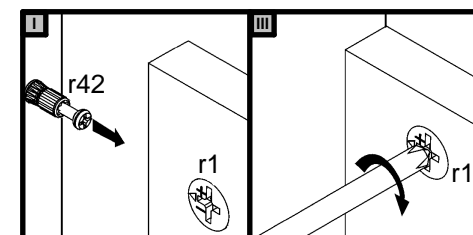
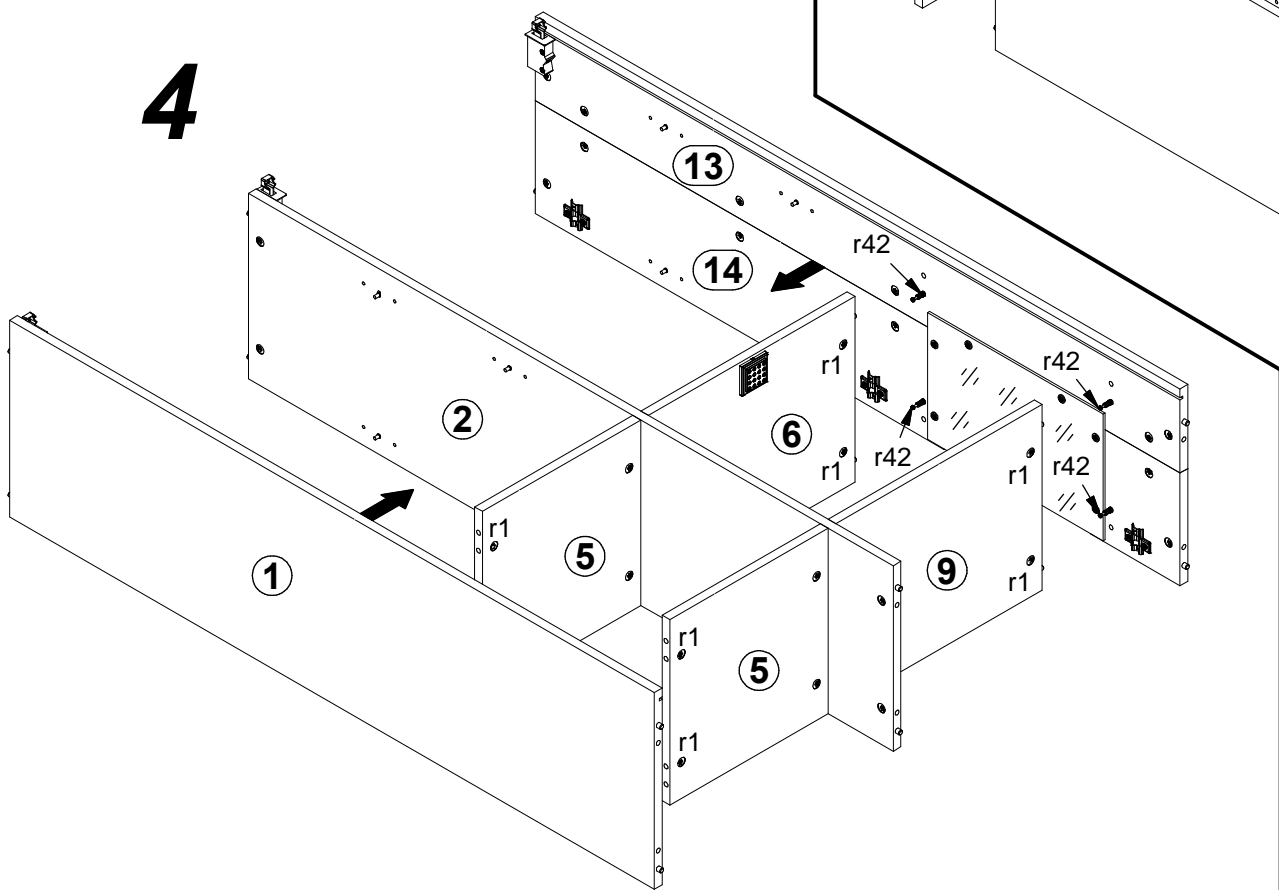
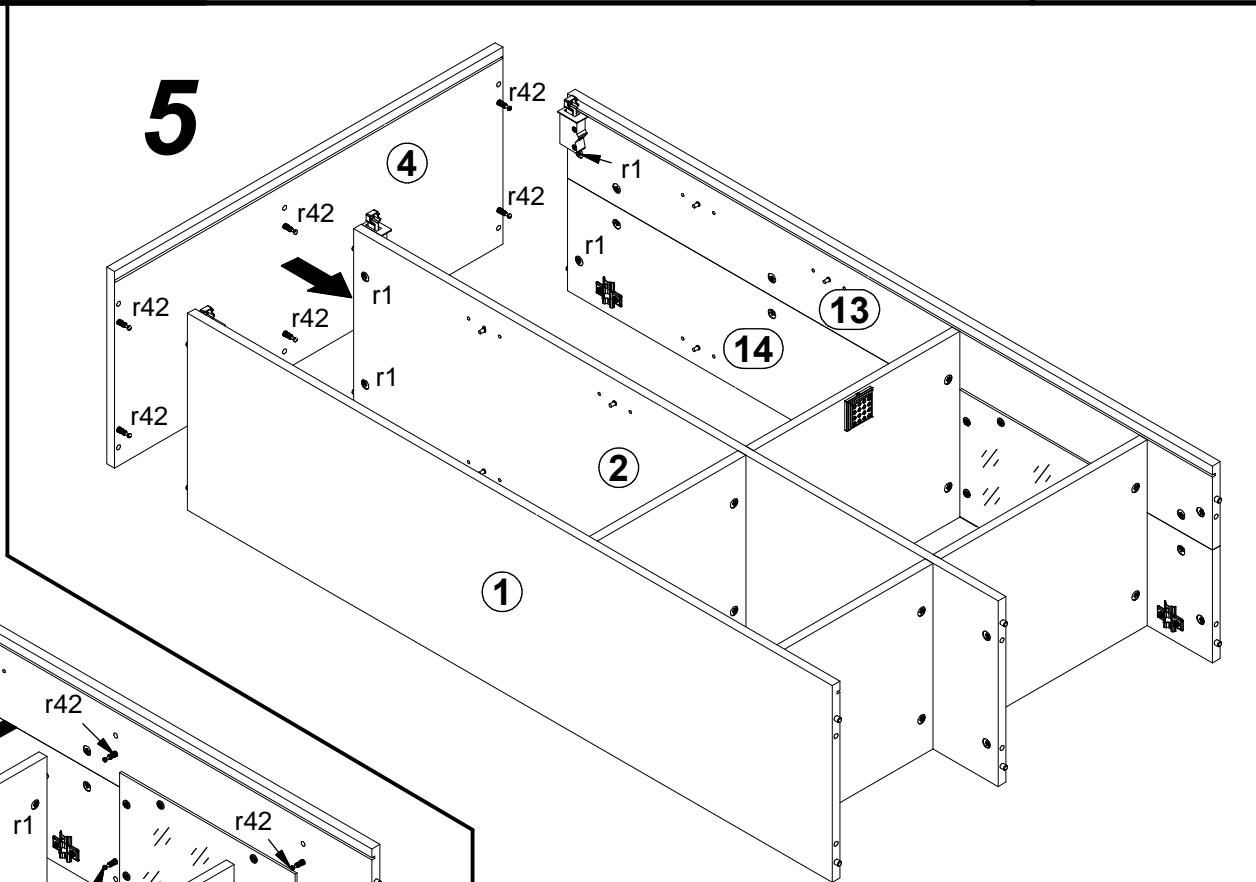
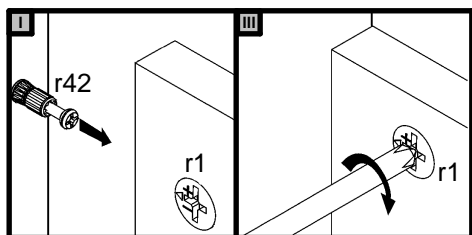




2

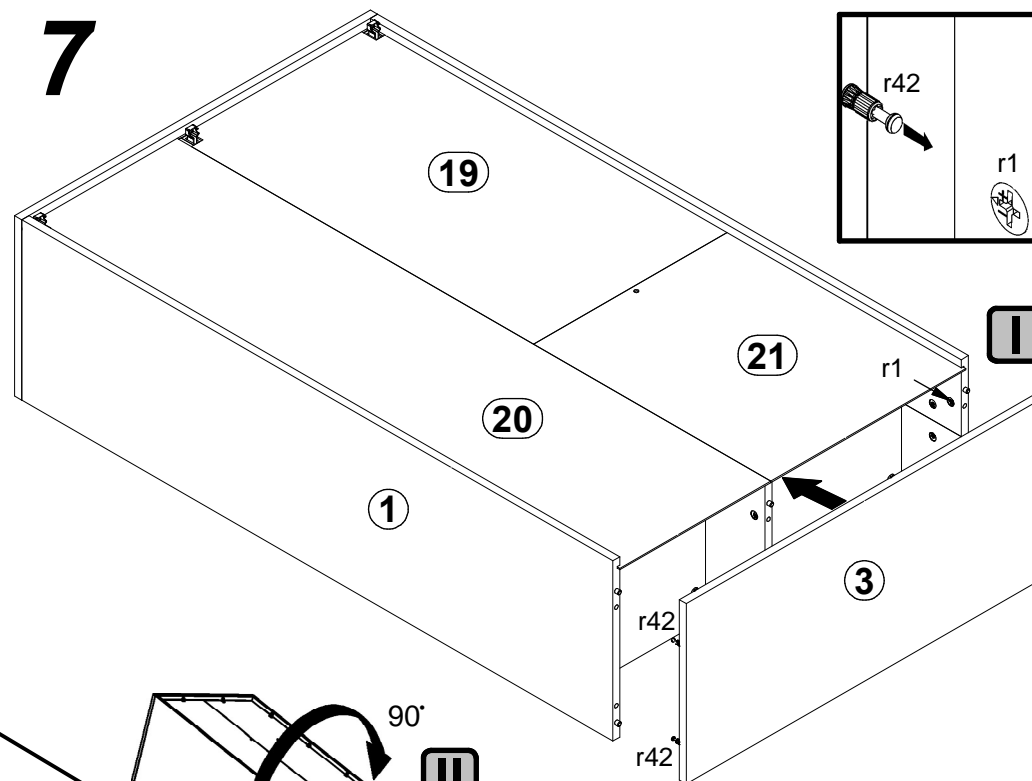
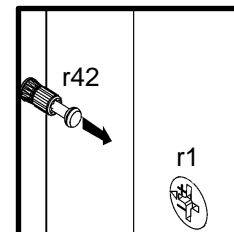


3

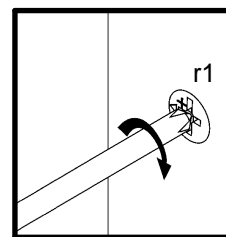
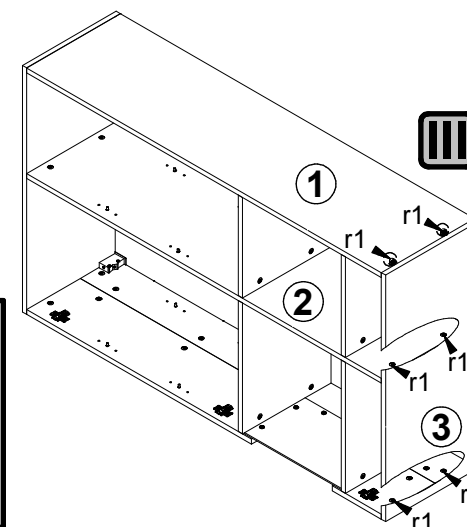
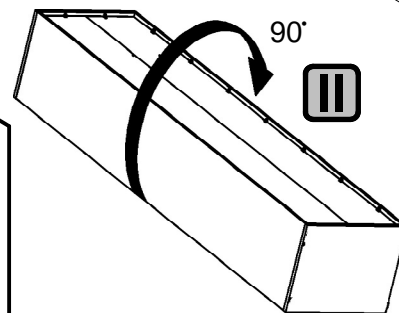
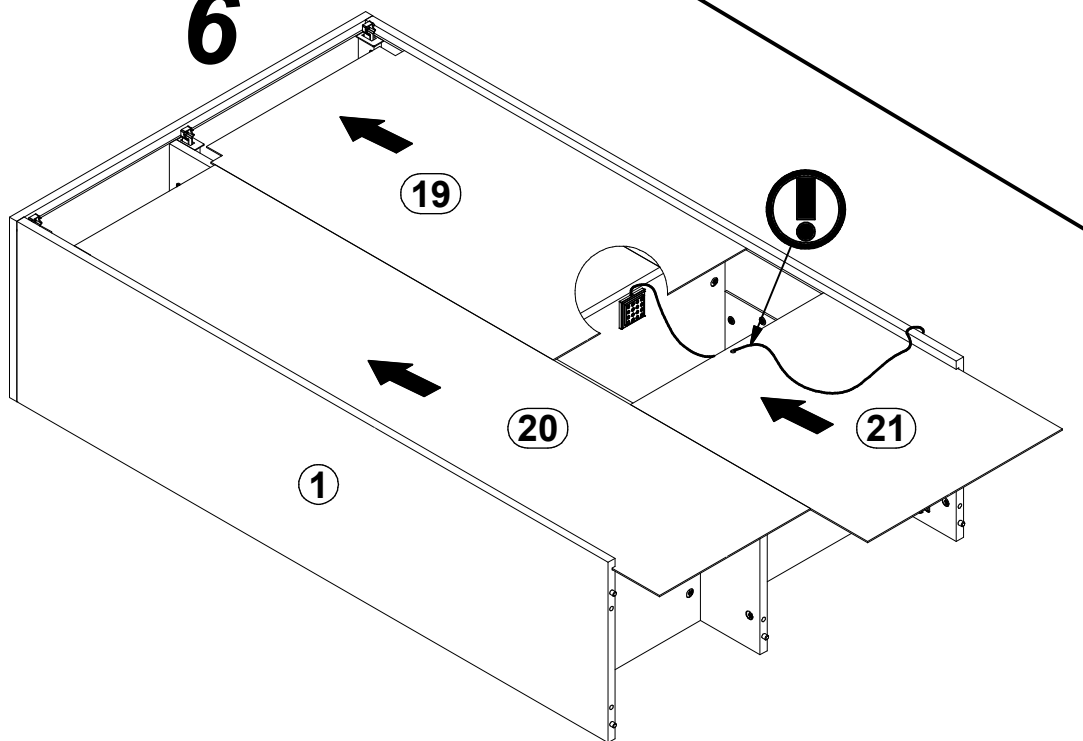


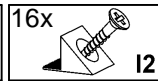
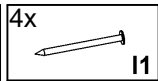
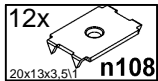
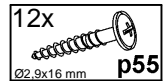
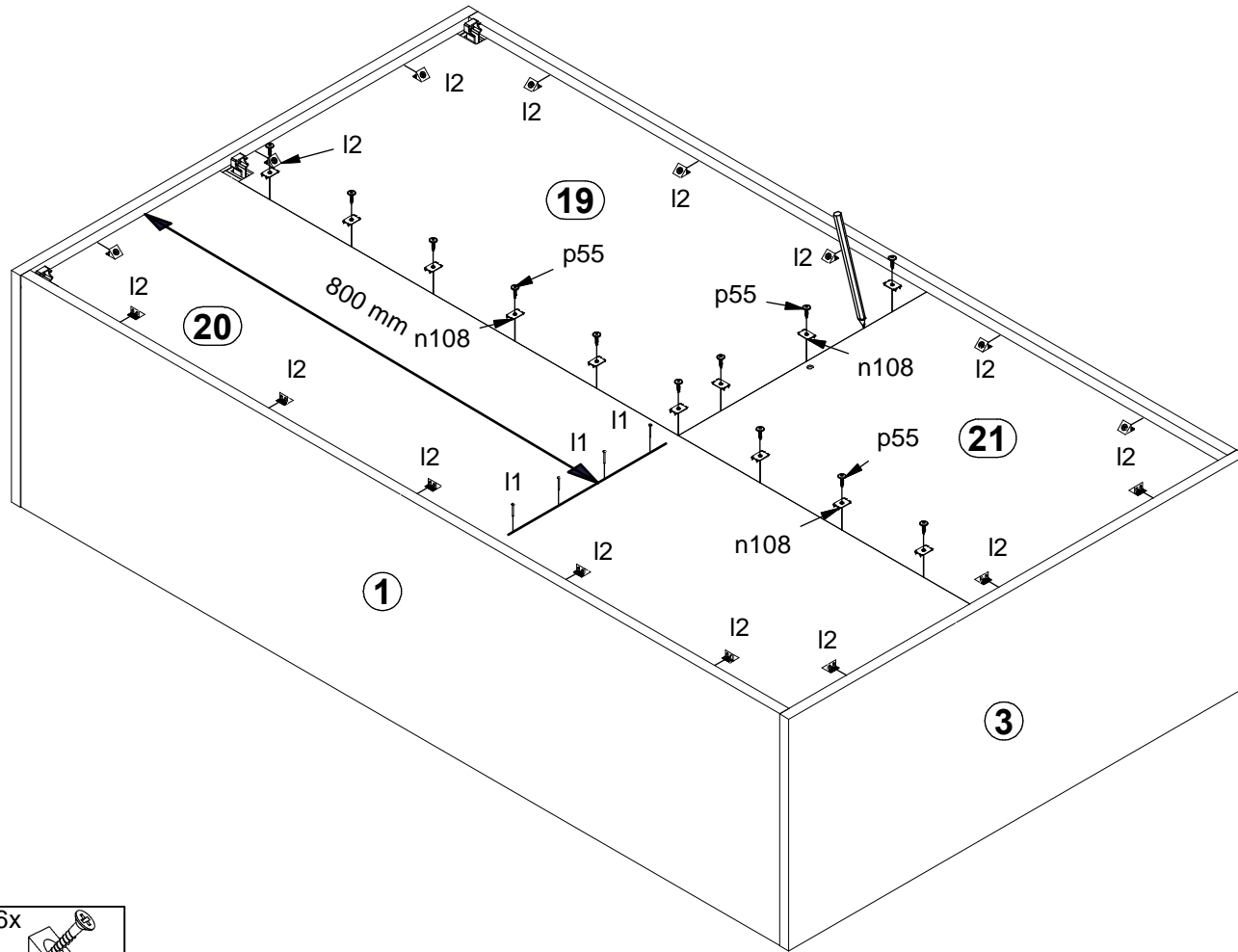
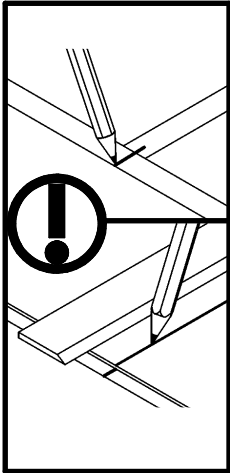
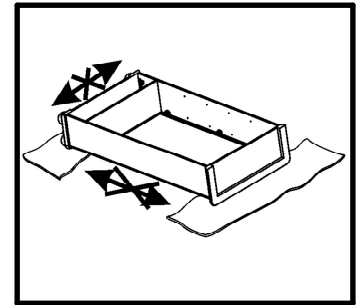
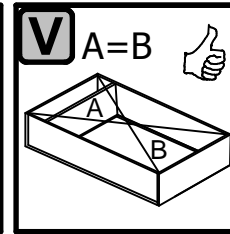
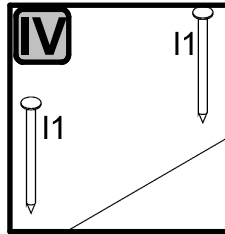
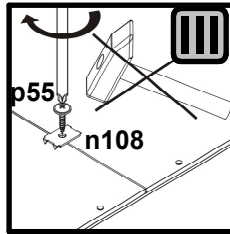
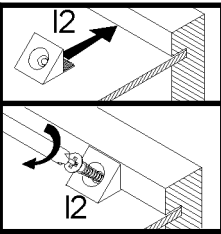
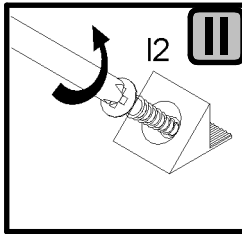
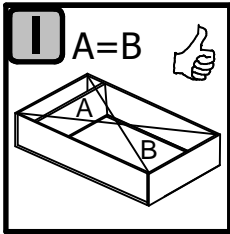


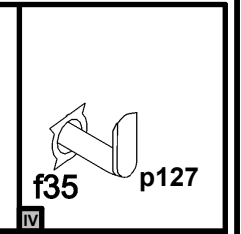
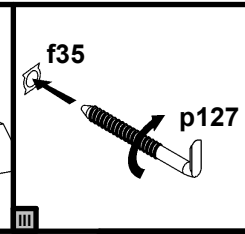
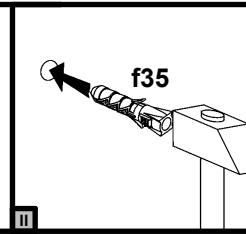
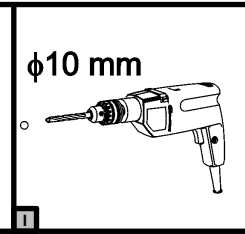
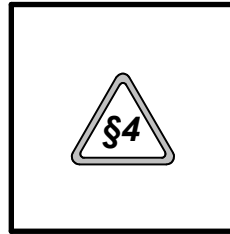
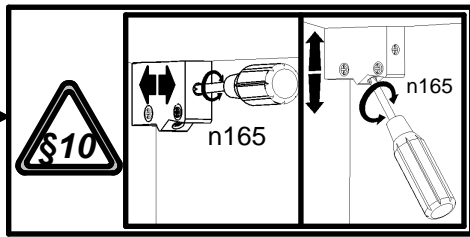
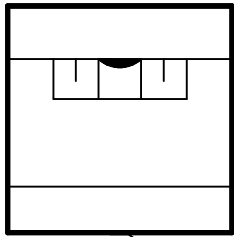
7



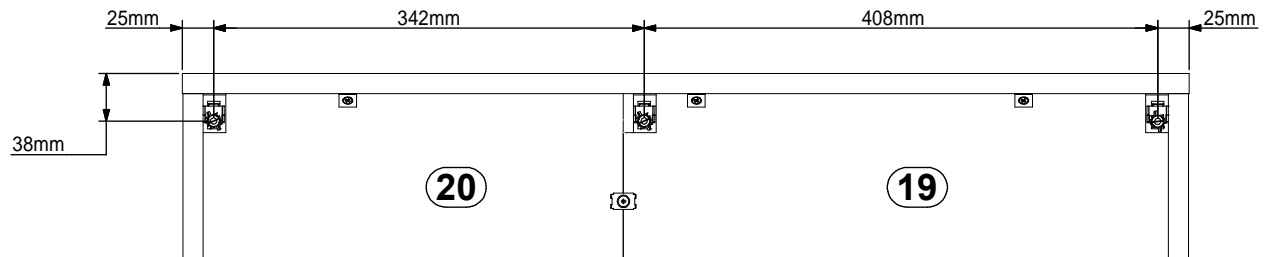
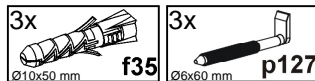
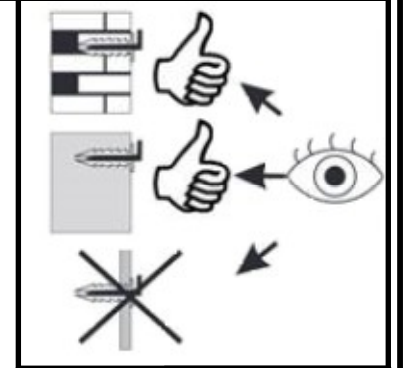
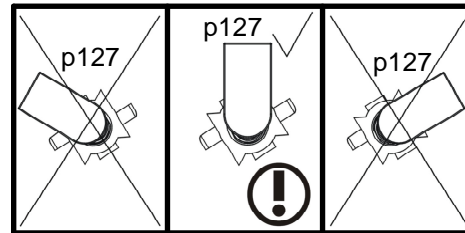
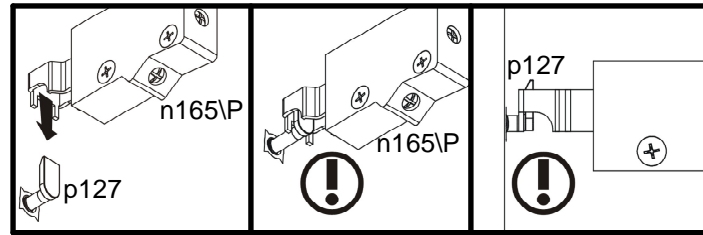
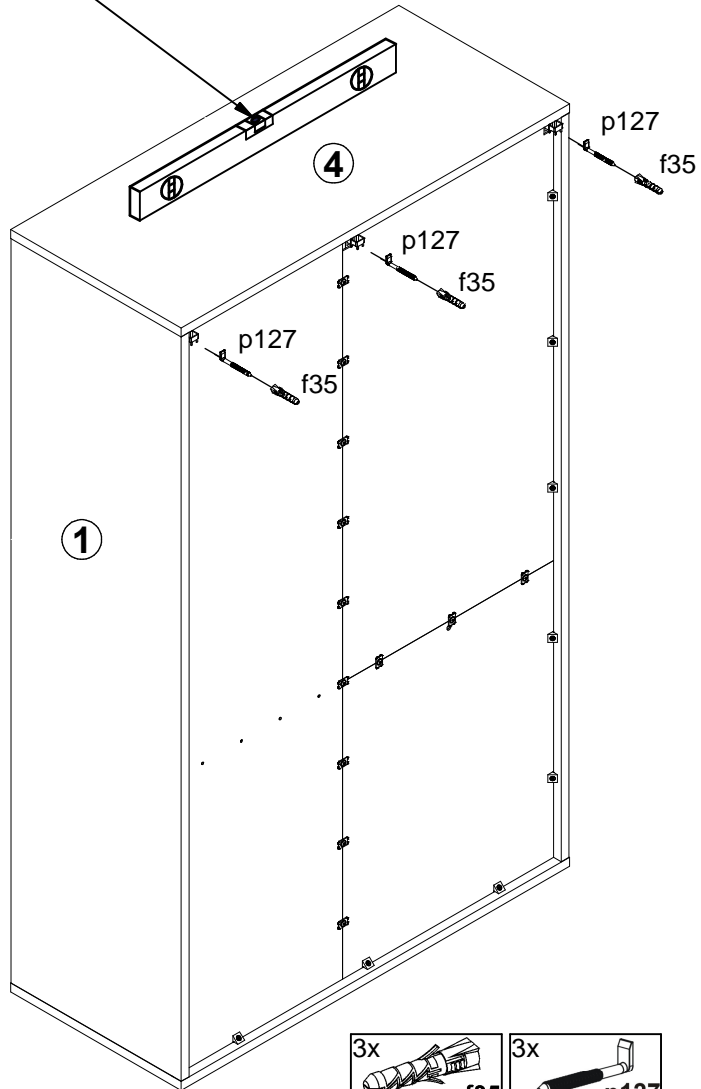
6

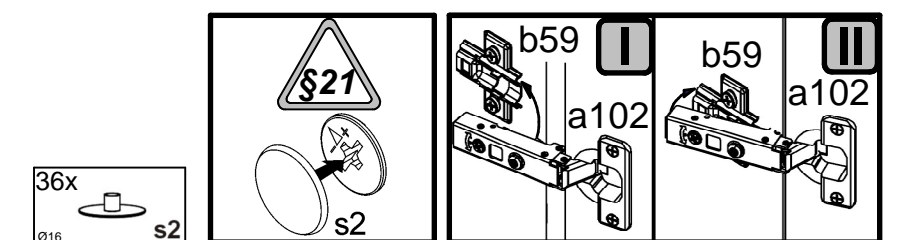
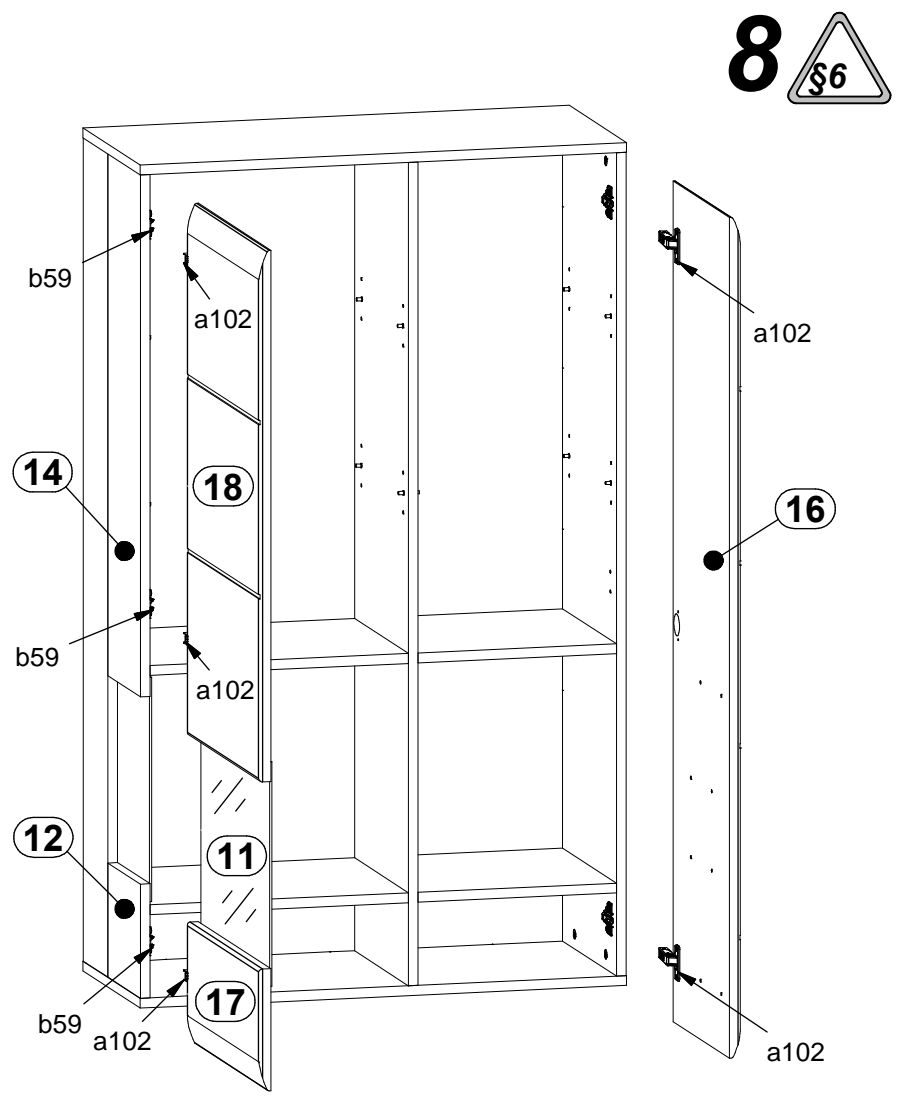
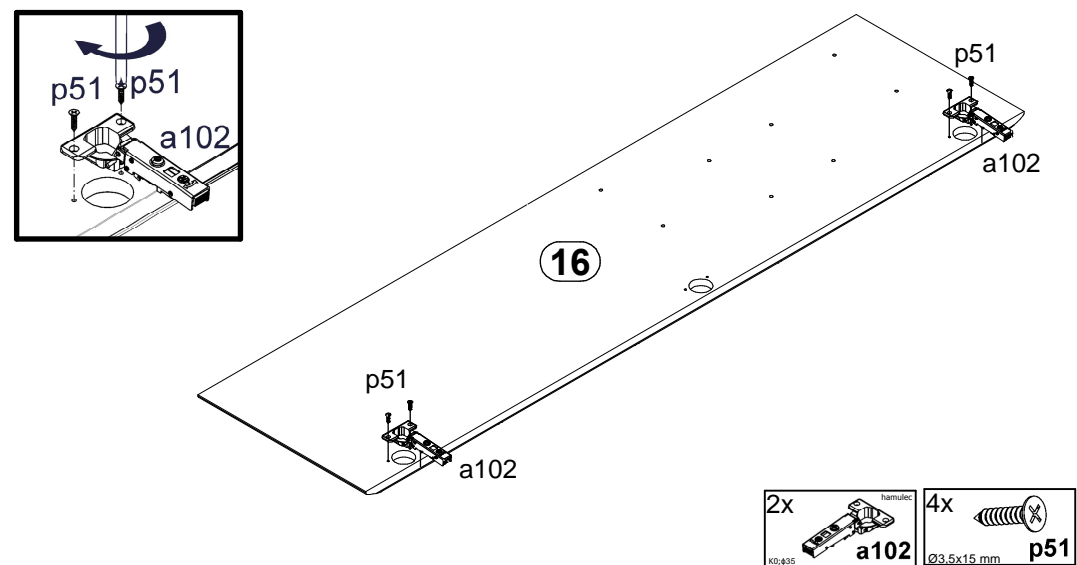
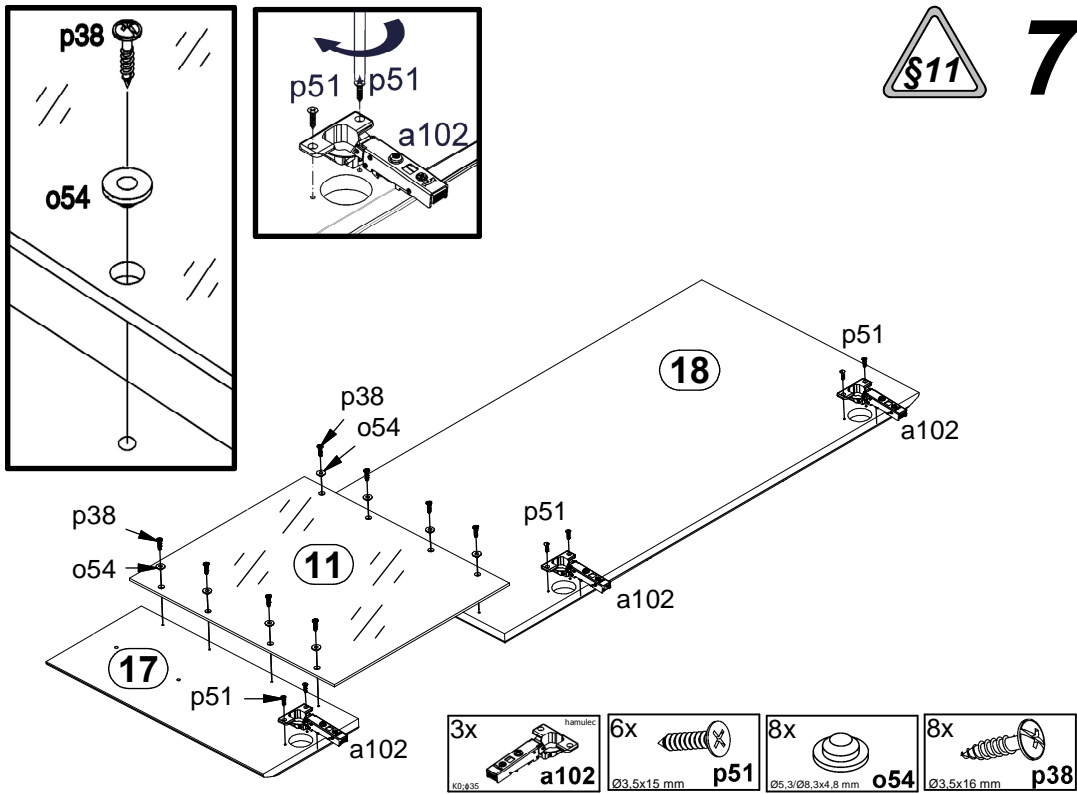


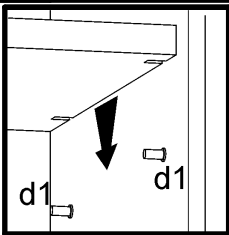




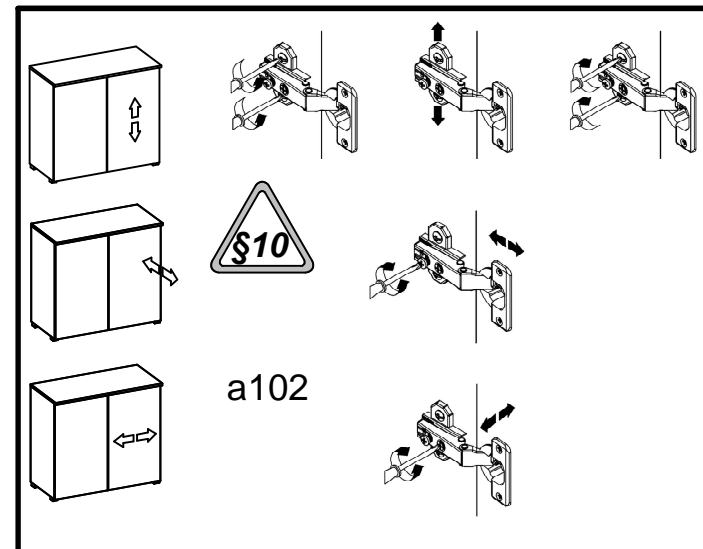
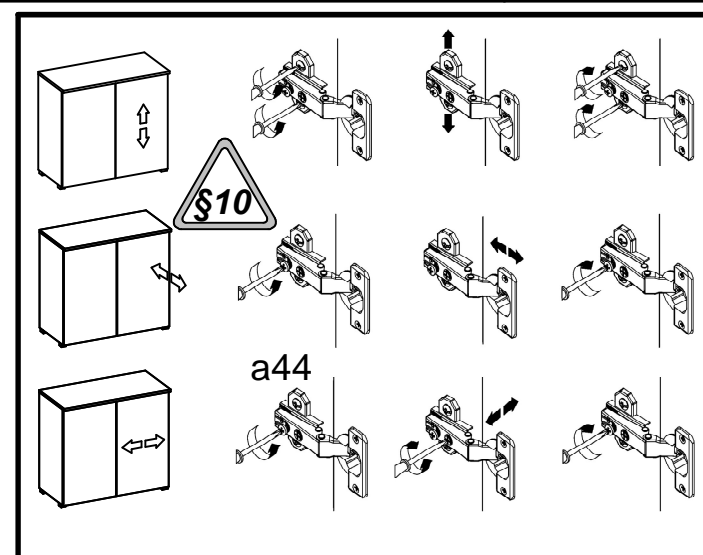
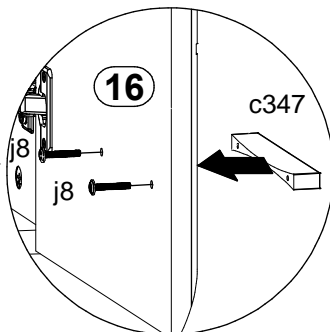
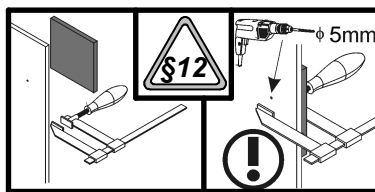
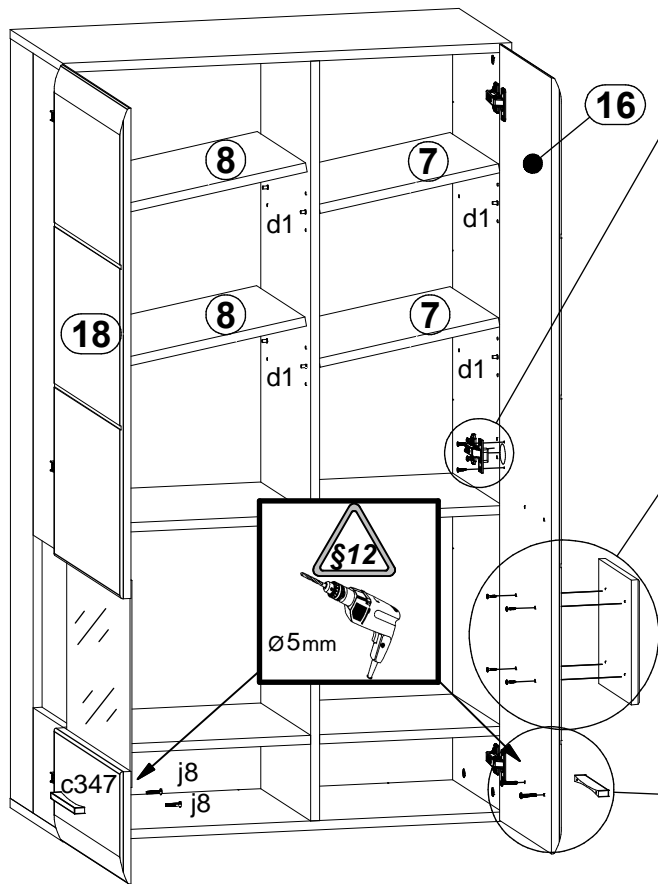
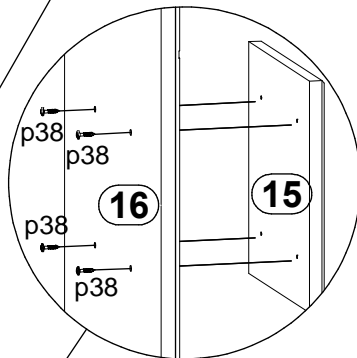
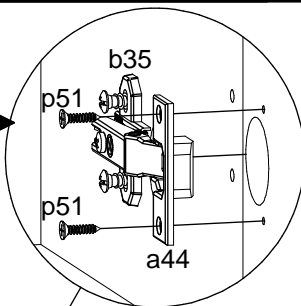
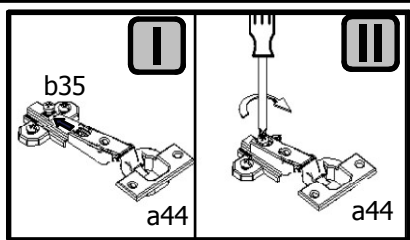
9







9



- 1x a44
- 1x b35
- 2x c347
- 4x j8 M4x25 mm
- 4x p38 Ø3,5x16 mm

